

Sight Glass with Rotor

Threaded Connection · for Liquids



- p_{max} 40 bar, t_{max} 260°C
- Connection:
G 1/4... G 2, 1/4" NPT... 2" NPT
- Material:
Grey cast iron, cast steel,
stainless steel



KOBOLD offices exist in the following countries:

ARGENTINA, AUSTRIA, BELGIUM, BRAZIL, CANADA, CHINA,
COLOMBIA, FRANCE, GREAT BRITAIN, ITALY, NETHERLANDS,
POLAND, SWITZERLAND, USA, VENEZUELA

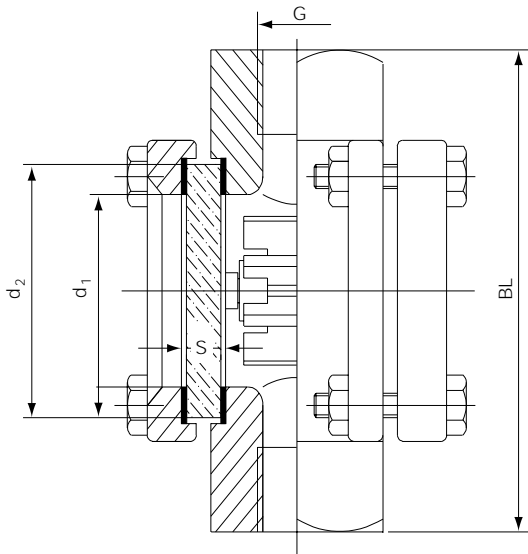
KOBOLD Messring GmbH
Nordring 22-24
D-65719 Hofheim/Ts.
☎ (06192) 299-0
Fax (06192) 23398
E-mail: info.de@kobold.com
Internet: www.kobold.com

Model:
DAR-1

Materials / Mounting position

	DAR-11	DAR-13	DAR-12
Rotor:	plastic (upto 120 °C); Option »R« PTFE upto 260 °C (Nominal size 2": PTFE Standard)		
Housing:	grey cast iron 0.6025	cast steel 1.0619	stainless steel 1.4408
Cover plates:	grey cast iron 0.6025	C 22.8	stainless steel 1.4301
Sight glass:	Instrument glass DIN 8902 (upto 150 °C); Option: Borosilicate glass DIN 7080 (upto 260 °C)		
Screws:	Zinc plated steel		stainless steel
Sealing:	Graphite (PTFE or other on request)		
Mounting position:	universal		
Operating pressure:	16 bar (Option 25 bar or 40 bar for DAR-12... and DAR-13...)		

Dimensions (Material grey cast iron) for pressure PN 16



G	BL	d 1	d 2	Glass thickness (S) at PN 16	approx. weight DAR-11...
G 1/4 G 3/8 G 1/2	100	32	45	10	1.8 kg
G 3/4 G 1	120	45	63	10	2.6 kg
G 1 1/4 G 1 1/2	150	65	80	12	5.3 kg
G 2	180	80	100	15	6.8 kg

Dimensions (Material cast steel or stainless steel) for pressure rating PN 16 (PN 25 / PN 40 on request)

G	BL	d 1	d 2	Glass thickness (S) at PN 16	approx. weight DAR-12... DAR-13...
G 1/4 G 3/8 G 1/2 G 3/4	100	45	63	10	2.3 kg
G 1 G 1 1/4	130	65	80	12	4.1 kg
G 1 1/2 G 2	150 230	65 80	80 100	12 15	4.7 kg 7.7 kg

Order data (Example: DAR-1101H R08)

	DAR-11	DAR-13	DAR-12	Connection		Option
	Instrument glass, graphite sealing, plastic rotor			G-thread	NPT-thread*	add option letter to order number
BSP	Grey cast iron	cast steel	stainless steel			
1/4"	DAR-1101H..	DAR-1301H..	DAR-1201H..	R08	N08	Option »B« Borosilicate glass, Graphite-sealing Option »R« PTFE-Rotor Option »P« = 25 bar for DAR-12...and DAR-13... Option »Q« = 40 bar for DAR-12...and DAR-13...
3/8"	DAR-1102H..	DAR-1302H..	DAR-1202H..	R10	N10	
1/2"	DAR-1103H..	DAR-1303H..	DAR-1203H..	R15	N15	
3/4"	DAR-1104H..	DAR-1304H..	DAR-1204H..	R20	N20	
1"	DAR-1105H..	DAR-1305H..	DAR-1205H..	R25	N25	
1 1/4"	DAR-1106H..	DAR-1306H..	DAR-1206H..	R32	N32	
1 1/2"	DAR-1107H..	DAR-1307H..	DAR-1207H..	R40	N40	
2"	DAR-1108H..	DAR-1308H..	DAR-1208H..	R50	N50	

*not for DAR-11 grey cast iron instruments

Sight Glass with Rotor

Flanged Connection · for Liquids



- p_{max} 40 bar, t_{max} 260 °C
- Connection: DN 15...DN 200
ANSI-Flange on request
- Materials:
Grey cast iron, cast steel,
stainless steel



KOBOLD offices exist in the following countries:

ARGENTINA, AUSTRIA, BELGIUM, BRAZIL, CANADA, CHINA,
COLOMBIA, FRANCE, GREAT BRITAIN, ITALY, NETHERLANDS,
POLAND, SWITZERLAND, USA, VENEZUELA

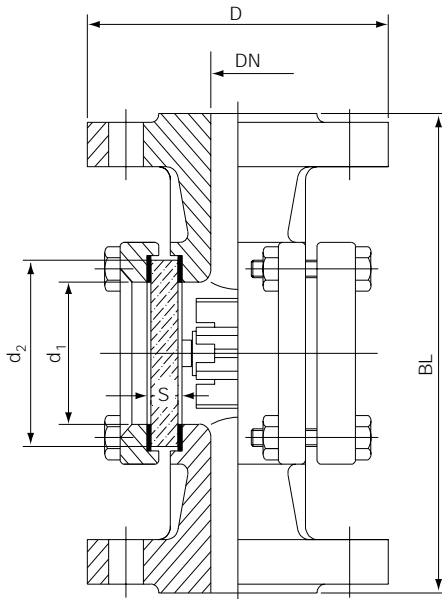
KOBOLD Messring GmbH
Nordring 22-24
D-65719 Hofheim/Ts.
☎ (06192) 299-0
Fax (06192) 23398
E-mail: info.de@kobold.com
Internet: www.kobold.com

Model:
DAR-2

Materials / Mounting position

	DAR-21	DAR-23	DAR-22
Rotor:	upto DN 40: plastic (upto 120°C); Option »R« PTFE upto 260°C / from DN 50: PTFE		
Housing:	grey cast iron 0.6025	cast steel 1.0619	stainless steel 1.4408
Cover plates:	grey c. iron 0.6025 / R St 37-2	C 22.8 / R St 37-2	stainless steel 1.4301
Sight glass:	Instrument glass DIN 8902 (upto 150°C); Option: Borosilicate glass DIN 7080 (upto 260°C)		
Screws:	Zinc plated steel		stainless steel
Sealing:	Graphite (PTFE or other on request)		
Mounting position:	universal		
Operating pressure:	16 bar (Option 25 bar or 40 bar for DAR-22... and DAR-23...)		

Dimensions for Pressure rating PN 16



DN	D (mm)	BL (mm)	d 1 (mm)	d 2 (mm)	Glass thickness (S) PN 16	approx. weight (kg)	
						DAR 21...	DAR-22... DAR-23...
15	95	130	32	45	10	3.4	4.2
20	105	150	32	45	10	4.2	4.3
25	115	160	48	63	10	4.5	6.6
32	140	180	65	80	12	8.4	8.4
40	150	200	65	80	12	8.4	8.6
50	165	230	80	100	15	12.9	11.1
65	185	290	80	100	15	22.7	23.1
80	200	310	100	125	20	21.0	19.6
100	220	350	125	150	25	35.1	36.1
125	250	400	150	175	25	47.1	47.1
150	285	480	175	200	25**	56.1	56.1
200	340	600	175	200	25**	98.0	98.1

** with Instrument glass only PN 10, PN 16 with Option »B« possible

Order data (Example: DAR-2201H F15)

	DAR-21	DAR-23	DAR-22	Connection		Option
	Instrument glass, Graphite-sealing, Plastic rotor			DIN-Flange	ANSI-Flange (only on request)	
Flanged connection DN	Grey cast iron	Cast steel	St. steel			add option letter to order number
15	DAR-2101H..	DAR-2301H..	DAR-2201H..	F15	A15	Option »B« Borosilicate glass, Graphite-sealing Option »R« PTFE-Rotor Option »DIN« Version acc. to DIN 3237 on request Option »P« = 25 bar for DAR-22.../23... Option »Q« = 40 bar for DAR-22.../23...
20	DAR-2102H..	DAR-2302H..	DAR-2202H..	F20	A20	
25	DAR-2103H..	DAR-2303H..	DAR-2203H..	F25	A25	
32	DAR-2104H..	DAR-2304H..	DAR-2204H..	F32	A32	
40	DAR-2105H..	DAR-2305H..	DAR-2205H..	F40	A40	
50	DAR-2106H..	DAR-2306H..	DAR-2206H..	F50	A50	
65	DAR-2107H..	DAR-2307H..	DAR-2207H..	F65	A65	
80	DAR-2108H..	DAR-2308H..	DAR-2208H..	F80	A80	
100	DAR-2109H..	DAR-2309H..	DAR-2209H..	F1H	A1H	
125	DAR-2110H..	DAR-2310H..	DAR-2210H..	F1Z	A1Z	
150**	DAR-2111H..	DAR-2311H..	DAR-2211H..	F1F	A1F	
200**	DAR-2112H..	DAR-2312H..	DAR-2212H..	F2H	A2H	

**with Instrument glass only PN 10, PN 16 with Option »B« possible