

Differential pressure gauges with Bourdon tube

Nominal dia. 100 and 160
with movement of Brass or stainless steel



measuring
•
monitoring
•
analysing



Features

- High reliability and durability
- Compact movement
- Differential pressure given on indicating dial
- Accuracy class 1.6
- Static pressure indicated for both sides
- Movement Brass or st. st.
- Dual scale bar/mWS

Description

These pressure gauges are suitable for measuring of liquid and gaseous medias, although this should not be viscous or susceptible to crystallization. For aggressive media, which attack brass, other versions with stainless steel medium wetted parts are available.

The two independently indicating Bourdon tube measuring systems work in a sturdy housing.

Both pointers turn around the same axle and indicate the values separately. The pointer on the low-pressure side has the form of a dial. On this dial the pressure difference between the low and high pressure side is given which may not exceed 50% of the full measuring range. Each single value can be read off directly .

Ranges

0...0.6 bar to 0...600 bar

Applications

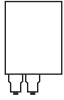
Industrial heaters, filter-monitoring, water-recycling plant

KOBOLD offices exist in the following countries:

ARGENTINA, AUSTRIA, BELGIUM, BRAZIL, CANADA,
CHINA, FRANCE, GREAT BRITAIN, ITALY, NETHERLANDS,
POLAND, SWITZERLAND, USA, VENEZUELA

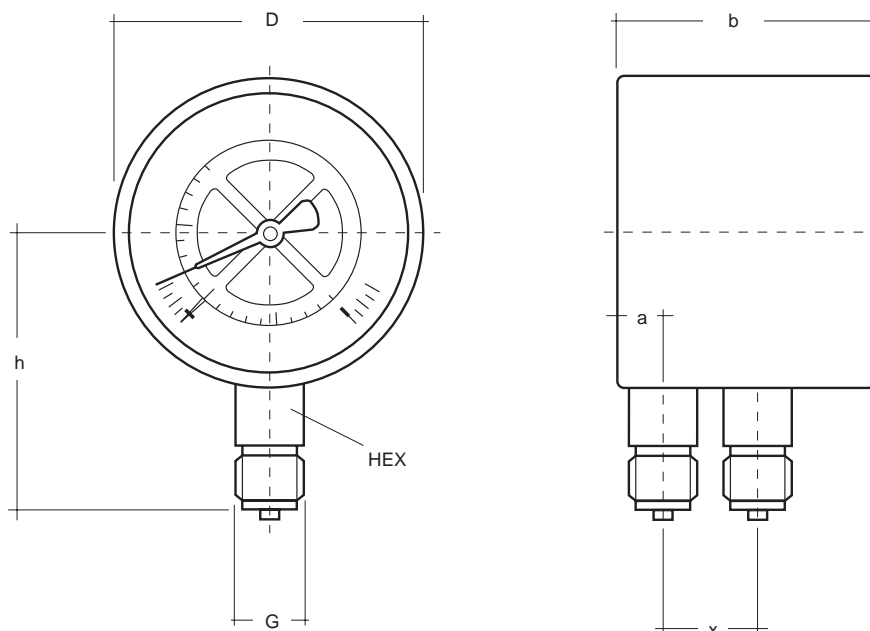
KOBOLD Messing GmbH
Nordring 22-24
D-65719 Hofheim/Ts.
☎ (06192) 299-0
Fax (06192) 23398
E-mail: info.de@kobold.com
Internet: www.kobold.com

Technical data

Model	MAN	DF 12...	DG 12...	DF 16...	DG 26...	Options
Nominal size		100 mm	160 mm	100 mm	160 mm	
Symbol						
Measuring system	Two independantly indicating Bourdon tube measuring systems					
Accuracy class	1.6 to DIN 16005					
Version	Standard			stainless steel version		
Indicating range ²⁾	0...0.6 bar to 0...600 bar negative or positive or negative/positive gauge pressure					
Max. pressure	Static load: up to full scale value Alternating load: 0.9 times full scale value Short-term: 1.3 times full scale value					
Housing	steel, black			stainless steel		back flange
Ring	steel, black			stainless steel		front flange
Window	Glass			laminated safety glass		laminated safety glass
Dial	Aluminum, white, scale and printing black, double scale bar/mWS					
Pointer	+) Standard pointer: Aluminum, black -) Pointer scale: Aluminum white, scaled $\pm 50\%$ of main scale range					marker pointer
Movement	Brass, bearing parts argentun			stainless steel		
Measuring element	< 100 bar: Brass; 100 bar: stainless steel 1.4571; < 100 bar: C Bourdon tube, 100 bar helical tube			stainless steel 1.4571		
Connection	Brass			stainless steel 1.4571		
- position	bottom radial, parallel entry					
- thread	2 x G 1/2 male, DIN 16 288, HEX 22					other threads on request
Temperatures	- medium - ambient			Tmin. -20°C, Tmax. +60°C ⁵⁾ Tmin. -20°C, Tmax. +100°C		
Temperature behaviour	0.3% / 10K on deviation from normal temperature +20°C					
Protection	IP 33 acc. DIN 40 050 (EN 60 529 / IEC 529)					
Throttle						\varnothing 0.4; \varnothing 0.8
Weight approx.	1.0 kg	1.6 kg	1.0 kg	1.6 kg		

²⁾ Scale range must be selected in consideration of the highest static pressure applied!
In heating circuits with circulating pumps the total pressure is calculated pressure given by the pump plus water column above. The pressure differential to be indicated should be no less than 1/8 of the full scale range. When ordering please state both:
a) static pressure applied, b) differential pressure to be indicated.

⁵⁾ Tmax. +100°C brazed



Dimensions

Model	Dia.	Dimensions (mm)						
		a \pm 0.5	b \pm 1	X \pm 1	D \pm 1	G	h \pm 1	HEX
PF 12..., PF 16...	100	15.5	82	32	100	G1/2 male	87	22
PG 12..., PG 16...	160	15.5	86.5	32	160	G1/2 male	118	22

Differential pressure gauges with diaphragm element

Nominal dia. 100, 160; with or without damping with or without electrical alarm contacts



measuring
•
monitoring
•
analysing



Features

- Measuring element aluminium
- Housing and Bayonet ring made of stainless steel
- Inductive or magnetic-spring contact
- Precise display and durability resulting from liquid damping

Description

These differential pressure gauges are suitable for harsh conditions resulting from high demands on pressure measurement in industrial production plants. Depending on the application, the instruments can also be filled with damping fluid.

Gauges with liquid filling are damped thus eliminating pressure pulses or mechanical vibrations.

This prolongs the service life and the gauge display remains largely vibration free.

Differential pressure gauges with electrical alarm contacts are suitable for controlling or regulating process sequences with the aid of the process pressure. The media, non aggressive gases or liquids, should not be too viscous or tend to crystallize.

Principle

The process medium chambers (+) and (-) are separated by a diaphragm. The difference in pressure between the (+) and (-)-medium chambers deflects the diaphragm.

This deflection (measured travel) is transmitted to the pointer via a push rod causing a pointer deflection in proportion to the difference in pressure.

Ranges

0...25 mbar to 0...25 bar

Applications


Level measurement, filter monitoring, air-conditioning technology, flow measurement

KOBOLD offices exist in the following countries:

ARGENTINA, AUSTRIA, BELGIUM, BRAZIL, CANADA, CHINA, FRANCE, GREAT BRITAIN, ITALY, NETHERLANDS, POLAND, SWITZERLAND, USA, VENEZUELA

KOBOLD Messing GmbH
Nordring 22-24
D-65719 Hofheim/Ts.
☎ (06192) 299-0
☎ (06192) 23398
E-mail: info.de@kobold.com
Internet: www.kobold.com

Technical data

Model	MAN	DF2A...	DG2A...	DF2AM...	DG2AM...	DF2AI...	DG2AI...	Options
Nominal size		100 mm	160 mm	100 mm	160 mm	100 mm	160 mm	
Symbol								
Contact type	none		magnetic-spring		inductive			current output 4...20 mA
Number of contacts	none		3		2			four magnetic spring
Position of cable connection	none		right side, PG 13.5					plug connection
Accuracy class	1.6 to DIN 16005							
Indicating range	0...25 mbar to 0...250 mbar (measuring cell DN 149) 0...0.4 bar to 0...25 bar: (measuring cell DN 85) negative or positive or negative/positive gauge pressure							0...16 mbar scale approx. 180°
Version	for max. total overpressure (static pressure) see table 1							
Overload protection	(+) or (-) side max. see table 1							
Max. pressure	static load: up to full scale value alternating load: 0.9 times full scale value							
Housing	stainless steel, 1.4301, with blow-out disc							liquid filling
Ring	stainless steel 1.4301, bayonet ring							front flange
Window	Instrument glass							laminated safety glass
Dial	aluminum white, scale and printing black acc. DIN 16 109							special scales
Pointer	aluminum, black micro adjustment pointer		aluminum black acc. DIN 16 099					
Movement	Brass							zeropoint adjustment
Measuring element	st. st., 1.4571 2.5 bar NiCrCo alloy, Duratherm 600 4 bar							special materials
Sealings	NBR (in contact with medium)							FPM
Connection	aluminum alloy							
- position	bottom radial							back
- thread	2 x G 1/4 female, DIN 16288, Form Z							
Measuring flanges	aluminum alloy							with venting
Temperatures								
- medium	Tmin. -20°C, Tmax. +60°C							
- ambient	Tmin. -20°C, Tmax. +60°C							
Temperature behaviour	0.3% / 10K on deviation from normal temperature +20°C							
Protection	IP 54 acc. DIN 60529 / EC529							IP 65

Special accessories: pressure-compensating valve (1 - 5 spindles)

Electrical data and switching functions, see data sheet

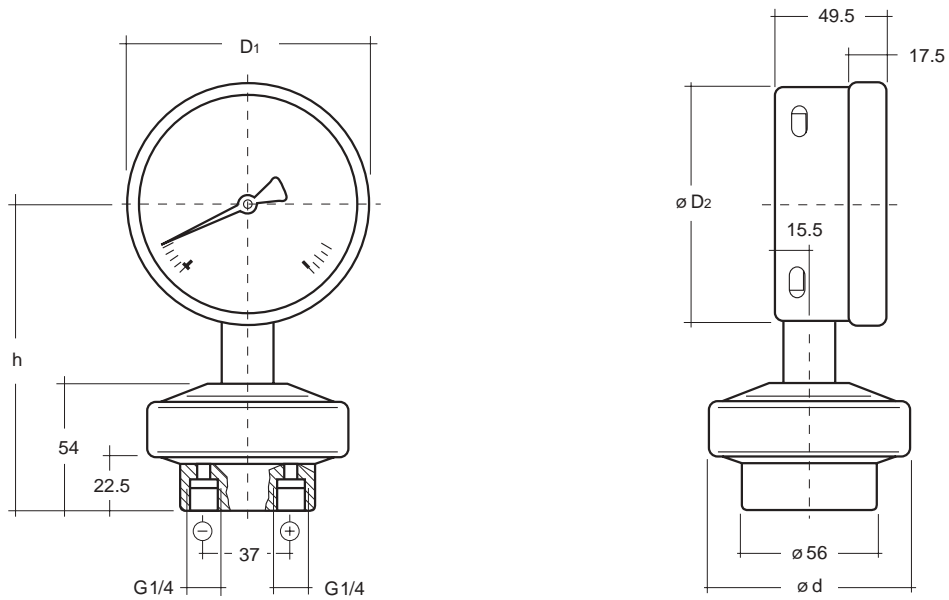
Electrical accessories, see data sheet

Table 1

Indication range	mbar 0...16 to 0...25	bar 0...4 to 0...6	0...1	0...1.6	0...2.5 to 0...10	0...16 to 0...25
Max. total overpressure (static pressure)	2.5 bar	10 bar				25 bar
Overload limit (+) and (-) side	2.5 bar	3	5	8	10	25

Technical data

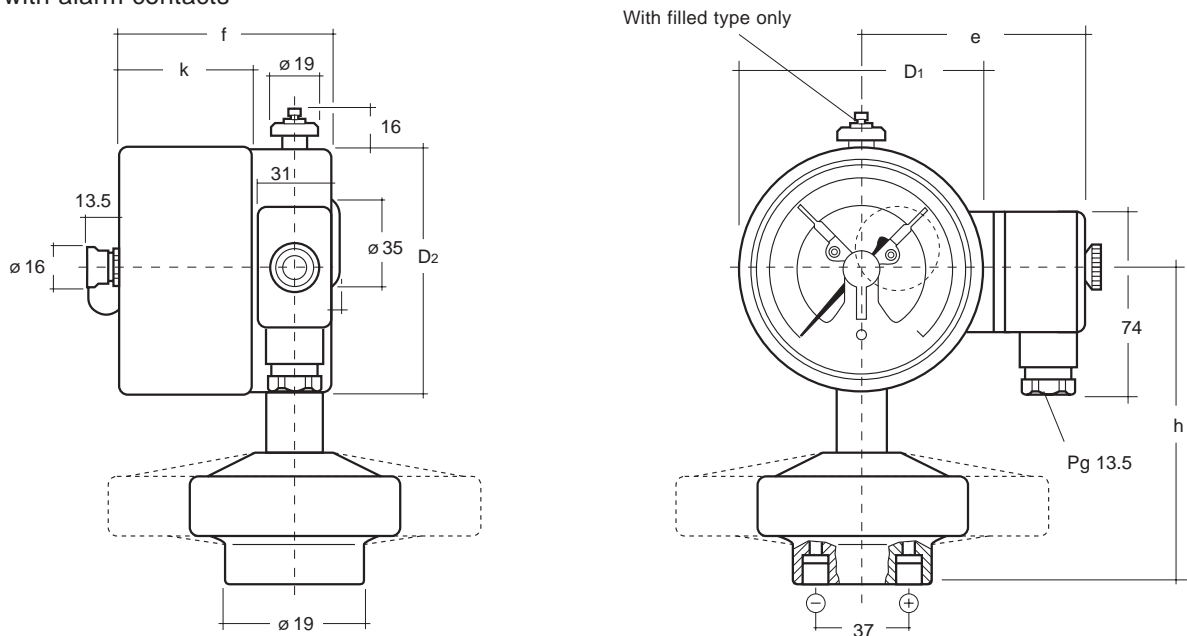
Standard model



Dia.	Ranges (bar)	Dimensions (mm)					Weight (kg) ¹⁾
		D ₁	D ₂	d	G	h ± 1	
100	0.25	101	99	149	G 1/4	120	1.85
	0.40	101	99	85	G 1/4	120	1.00
160	0.25	161	159	149	G 1/4	150	2.25
	0.40	161	159	85	G 1/4	150	1.40

¹⁾ Weights of instruments with filling on request

Model with alarm contacts



Dia.	Dimensions (mm)					
	D ₁	D ₂	e	f ± 1	h ± 1	k
100	101	99	94	88	130	55
160	161	159	124	101	160	17.5

Pressure switches please refer...



... to our brochure “P3”.

All stainless steel differential pressure gauges with electrical alarm contacts or current output

with or without liquid filling
Nominal dia. 100, 160; accuracy class 1.6



measuring
•
monitoring
•
analysing



Features

- Resistant to aggressive media and the environment
- High overload protection
- Solid front design
- Alarm contacts or current output
- Precise display resulting from liquid damping
- Flushing and vent connection for the measuring chamber

Description

The process medium chambers (+) and (-) are separated by a diaphragm. The difference in pressure between the (+) and (-)-medium chambers deflects the diaphragm. This deflection (measured travel) is transmitted to the pointer via a push rod causing a pointer deflection in proportion to the difference in pressure.

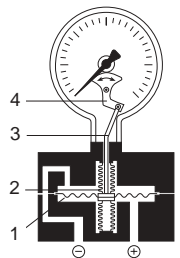
Metal bellows seal the two pressure chambers away from the gauge case. Metal supporting elements guarantee overload protection. The two downward outgoing process connections (G1/4 female, DIN 16288, Z type) are made of corrosion resistant material. For mounting purposes, it should be noted that: (+) represents high pressure and (-) low pressure input.

The pressure connection position may be varied according to the installation conditions.

The measuring element is tamper proof. The gauges can be used with gaseous, liquid and also chemically aggressive media as well as in aggressive environments, but not with highly viscous or crystallizing media.

Description of function

1. Measuring diaphragm
2. Metallic bellows
3. Connecting rod
4. Movement



Ranges

0...16 mbar to 0...25 bar and all corresponding ranges for negative and positive overpressure

Applications


Level measurement, filter monitoring; flow measurement; chemical and process engineering; food industry

KOBOLD offices exist in the following countries:

ARGENTINA, AUSTRIA, BELGIUM, BRAZIL, CANADA,
CHINA, FRANCE, GREAT BRITAIN, ITALY, NETHERLANDS,
POLAND, SWITZERLAND, USA, VENEZUELA

KOBOLD Messring GmbH
Nordring 22-24
D-65719 Hofheim/Ts.
☎ (06192) 299-0
☎ (06192) 23398
E-mail: info.de@kobold.com
Internet: www.kobold.com

Technical data


	-	With alarm contacts ¹⁾				With current output ²⁾		Options	
Model	MAN	DF 25	DG 25	DF 25 M 1...	DG 25 M 1...	DF 25 I 2...	DG 25 I 2...	DF 25 (A4),(A0)	DG 25 (A4),(A0)
Nominal size		100	160	100	160	100	160	100	160
Symbol									
Fluid filling	none								
Contact type	none			magnetic-spring contact		inductive contact		current output	
Contact function				M ³⁾		I ³⁾		0...20 mA 4...20 mA	
Accuracy class	1.6 to DIN 16005								
Indicating range	0...16 bar to 0...25 bar plus all corresponding ranges for negative and positive gauge pressure								
Max. pressure	static load: up to full scale value alternating load: 0.9 times full scale value								
Overload protection	(+) or (-) side: 10 times of full scale value, but only up to max. total pressure (static pressure) 10/25 bar see table as well								
Max. total overpressure (static pressure)	range 0...16 mbar to 0...250 mbar: max. 10 bar range 0...400 mbar to 0...25 bar: max. 25 bar								
Housing	stainless steel 1.4301 with blow-out disc								
Bezel	bayonet ring, stainless steel 1.4301, bright								
Mounting	rigid measuring tube								
Window	laminated safety glass								
Dial	aluminum, white, scale and printing black (DIN 16109)								
Pointer	adjustable pointer, aluminum, black								
Movement	stainless steel								
Measuring element	250 mbar: stainless steel 1.4571, > 250 mbar NiCrCo-alloy (Duratherm)								
Measuring chamber, connection	- position: stainless steel 1.4571 bottom, (DIN 16288, symbol Z) - thread: 2 x G 1/4 female								
Protection	IP 45 acc. DIN 40 050								
Temperatures	- medium: max. +100 °C - ambient: min. -20 °C, max. +60 °C								
Accessories	valve block (3-spindle pressure-compensation and shut-off valve). Attachment of diaphragm seal on request								
Electrical connection				Cable socket PA 6 cable gland PG 13.5			Cable set PG 13.5		

Maximum total overpressure/overload protection

Range	Max. total overpressure (static pressure)	Overload protection on both sides max.
0...16 mbar to 0...40 mbar	2.5 bar	2.5 bar
0...60 mbar to 0...250 mbar	6 bar	2.5 bar
0...400 mbar	25 bar	4.0 bar
0...0.6 bar	25 bar	6.0 bar
0...1 bar	25 bar	10 bar
0...1.6 bar	25 bar	16 bar
0...2.5 to 0...25 bar	25 bar	25 bar

- 1) Electrical alarm contacts: see separate leaflet
- 2) Electrical current outputs: see separate leaflet
- 3) Switch functions for inductive and magnetic-spring contacts
 - clockwise pointer motion: normally closed (N/C) or normally open (N/O)
 - The letter characterizes the contact designation
Code "M" for magnetic snap-action contact
Code "I" for inductive contact
 - Following numbers indicate the switching operation
1: normally open (N/O)
2: normally closed (N/C)
3: single pole double throw (SPDT)
 - The quantity of numbers indicate the quantity of contacts

Technical data

Model	MAN	With liquid filling		With alarm contacts ¹⁾ and liquid filling				With current output and liquid filling ²⁾		Options
		DF 75	DG 75	DF 75 M 1...	DG 75 M 1...	DF 75 I 2...	DG 75 I 2...	DF 75 (A4),(A0)	DG 75 (A4),(A0)	
Nominal size		100	160	100	160	100	160	100	160	
Symbol										
Fluid filling		glycerine		silicone oil						
Contact type		none		magnetic-spring contact		inductive contact		current output		
Contact function				M 1 ³⁾		M 2 ³⁾		0...20 mA 4...20 mA		voltage output: 0-5 V, 0-10 V alarm contact: for further contact functions see "mounting options" table
Accuracy class		1.6 to DIN 16005								1.0
Indicating range		0...16 bar to 0...25 bar plus all corresponding ranges for negative and positive gauge pressure								
Max. pressure		static load: up to full scale value alternating load: 0.9 times full scale value								
Overload protection		(+) or (-) side: 10 times of full scale value, but only up to max. total pressure (static pressure) 10/ 25 bar see also table								
Max. total overpressure (static pressure)		range 0...16 mbar to 0...250 mbar: max. 10 bar range 0...400 mbar to 0...25 bar: max. 25 bar								
Housing		stainless steel 1.4301 with blow-out disc								solid front version to DIN 16006
Bezel		bayonet ring, stainless steel 1.4301, bright								
Mounting		rigid measuring lead								Measuring gauge holder for wall or pipe mounting dia. 2"/dia. 62 or mounting bore in flange
Window		laminated safety glass								
Dial		aluminum, white, scale and printing black (DIN 16109)								
Pointer		adjustable pointer, aluminum, black								
Movement		stainless steel								zero-point adjustment
Measuring element		250 mbar: stainless steel 1.4571, > 250 mbar NiCrCo-alloy (Duratherm)								
Measuring chamber, connection - position - thread		stainless steel 1.4571 bottom, (DIN 16288, type Z) 2 x G 1/4 female								connection left, right, rear connection: male threads
Protection		IP 65								
Temperatures - medium - ambient		max. +100 °C min. -20 °C, max. +60 °C								medium: 130 °C
Accessories										valve block (3-spindle pressure-compensation and shut-off valve). Attachment of diaphragm seal on request
Electrical connection				cable socket PA 6 cable gland PG 13.5				cable socket PA 6 gland PG 13.5		

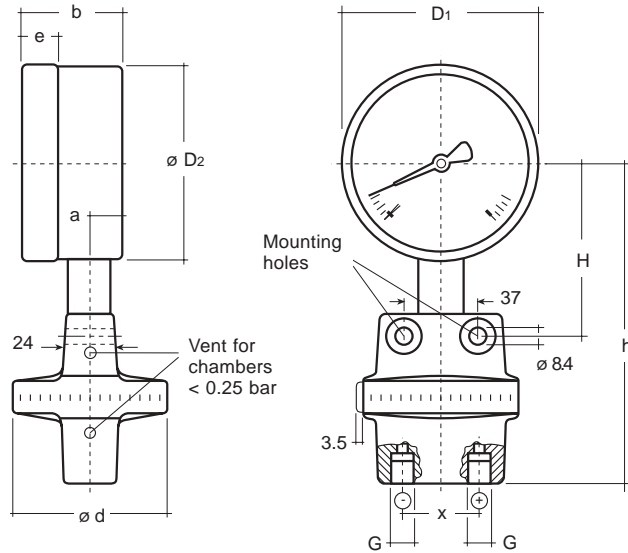
Note for installation: (-) low pressure; (+) high pressure

- 1) Electrical alarmcontacts: see separate leaflet
- 2) Electrical current outputs: see separate leaflet
- 3) Switch functions for inductive and magnetic-spring contacts
 - clockwise pointer motion: normally closed (N/C) or normally open (N/O)
 - The letter characterizes the contact designation
Code "M" for magnetic snap-action contact
Code "I" for inductive contact
 - Following numbers indicate the switching operation
1: normally open (N/O)
2: normally closed (N/C)
3: single pole double throw (SPDT)
 - The quantity of numbers indicate the quantity of contacts

Technical data

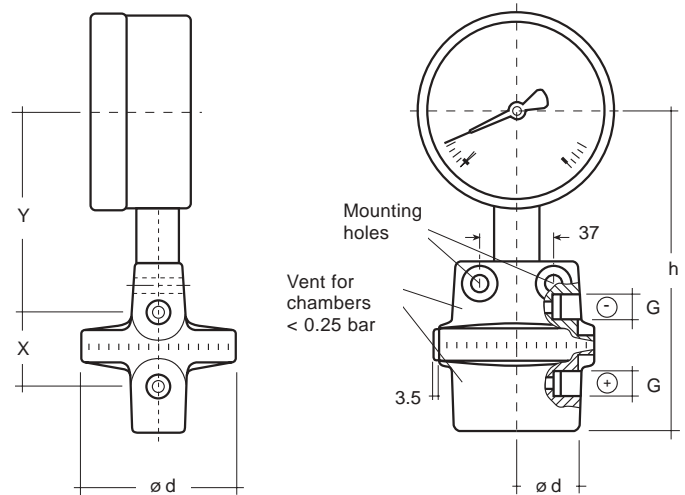
Standard version: Model BR DF25..., DG25...

Connection 2 x G 1/4 female threads, bottom



Option

Connection 2 x G 1/4 female thread, right hand side



Dia.	Range (bar)	Dimensions (mm)											Weight (kg)	
		a	b	D ₁	D ₂	d	e	G	h ± 1	H	X	Y		Z
100	0.25	15.5	49.5	101	99	140	17.5	G 1/4	161	87	37	99	69	2.70
	0.25	15.5	49.5	101	99	78	17.5	G 1/4	161	87	37	99	35	1.40
100	0.25	15.5	49.5	161	159	140	17.5	G 1/4	191	117	37	129	69	3.40
	0.25	15.5	49.5	161	159	78	17.5	G 1/4	191	117	37	129	35	2.10

Connection to DIN 16288, type Z

Installation options for alarm contacts

Pressure gauge		Alarm contact											
Model	Nominal size	Magnetic-spring contact				Inductive contact							
		Number of contacts											
		1	2	3	4 ⁵⁾	1	2	3 ⁶⁾	-				
		Full scale value from ... bar											
DF 25 M 1...	100	0.016	0.016	0.040	0.040								
DG 25 M 1...	160												
DF 25 I 2...	100					0.016	0.016	0.040					
DG 25 I 2...	160												
DF 75 M 1...	100	0.016	0.016	0.040	0.040								
DG 75 M 1...	160												
DF 75 I 2...	100					0.016	0.016	0.040					
DG 75 I 2...	160												

⁵⁾ Possible only as special version ⁶⁾ Possible only as special version

Installation options for current outputs

Pressure gauge		Current output				Current output and alarm contacts						
Model	Nom. size	Pressure connection	Standard	Explosion proof version ⁶⁾	Standard with power supply unit ⁶⁾	Current output						
						Standard		Explosion proof version ⁶⁾		Standard with power supply unit		
						Magnetic spring	Inductive	Inductive	Magnet-spring	Inductive		
DF 25 (A4),(A0)	100	bottom	•	•	•							
DG 25 (A4),(A0)	160	bottom/side										
DF 75 (A4),(A0)	100	bottom	•	•	•							
DG 75 (A4),(A0)	160	bottom/side										

Option

unfilled	100	bottom				•	•	•	•	•
	160	bottom/side								
filled	100	bottom				•	•	•	•	•
	160	bottom/side								

All stainless steel differential pressure gauges

Nominal dia. 100, 160; with or without damping
with or without electrical alarm contacts
with or without current output



measuring
•
monitoring
•
analysing



Features

- Measuring cell and housing of corrosion resistant materials, stainless steel
- Static pressure and overrange protection to 40 bar or optional 100 bar
- Alarm contacts or current output
- Flushing and vent connection on measuring chamber
- Differential pressure connection to DIN 19213
- Vibration-free indication and durability by liquid filling

Description

These differential pressure gauges are suitable for harsh conditions resulting from high demands on pressure measurement in production plants of the chemical or other comparable industries. By using high quality stainless steel for both measuring system and housing guarantees resistance against aggressive media and environment. Depending on their applications, the instruments can also be filled with damping fluid. Gauges with liquid filling eliminate pulses or mechanical vibrations. This prolongs the service life and the gauge display remains largely vibration free.

Differential pressure gauges with electrical alarm contacts are suitable for controlling or regulating process sequences with the aid of the process pressure.

Principle

The heart of these differential pressure gauges is the measuring cell with two "hydraulically" coupled diaphragm elements, between which the pressure transmitting fluid is enclosed. If both diaphragm elements are subjected to different pressures this is transmitted to the movement which causes a deflection of the pointer proportional to the differential pressure.

Ranges

0... 60 mbar to 0... 25 bar

Applications

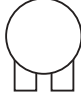
Level measurement, filter monitoring, flow measurement with a differential pressure probe

KOBOLD offices exist in the following countries:

ARGENTINA, AUSTRIA, BELGIUM, BRAZIL, CANADA,
CHINA, FRANCE, GREAT BRITAIN, ITALY, NETHERLANDS,
POLAND, SWITZERLAND, USA, VENEZUELA

KOBOLD Messring GmbH
Nordring 22-24
D-65719 Hofheim/Ts.
☎ (06192) 299-0
☎ (06192) 23398
E-mail: info.de@kobold.com
Internet: www.kobold.com

Technical data

Model	MAN	DF2G	DG2G...	DF2GM...	DG2GM...	DF2GI...	DG2GI...	DG2G...A4	Options
Nominal size		100	160	100	160	100	160	160	
Symbol									
Contact type / electrical output	none		magnetic-spring		inductive		4...20mA two wire		1)
Number of contacts	none		3		3		none		
Position of cable connection	none		right hand side, PG 13.5						plug connection 2)
Accuracy class	1.6 to DIN 16005								
Indicating range	0...60 mbar to 0...250 mbar (measuring cell DN 140) 0...0.4 bar to 0...25 bar: (measuring cell DN 80) plus all corresponding ranges for negative and positive gauge pressure								
Version	for max. total overpressure (static pressure) 40 bar								100 bar/250 bar
Overload protection	(+) or (-) side: max. 40 bar								100 bar/250 bar
Max. pressure	static load: up to full scale value alternating load: 0.9 times full scale value								
Housing	St. steel 1.4301, bright								liquid filling
Bezel	bayonet ring, stainless steel 1.4301								front flange
Window	laminated safety glass								
Dial	aluminum, white, scale and printing black acc. DIN 16 109								special scale
Pointer	adjustable pointer aluminum, black		aluminum, black acc. DIN 16 099						
Zero-point adjustment	adjustable pointer		adjustable part at housing at top						
Movement	Stainless steel								
Measuring element	St. steel, 1.4571 250 mbar NiCrCo alloy, Duratherm 600 400 mbar								
Sealing	FPM (in contact with medium)								PTFE
Connection	St. steel 1.4571								
- position	bottom								
- thread ³⁾	2 x G 1/2 female (DIN16288, type Z)								differential pressure connection to DIN 19213
Measuring flanges, measuring cell	CrNi steel 1.4571, measuring cell filled with silicone oil								special filling, e.g. for oxygen
Vent of measuring cell	at ranges 250 mbar								0.4 bar
Temperatures									
- medium	Tmin. -20°C, Tmax. +100°C								
- ambient	Tmin. -25°C, Tmax. +60°C								
Temperature behaviour	0.4% / 10K on deviation from normal temperature +20°C								
Protection	IP 54 acc. EN 60529 / EC529								IP 65

1) Other electrical outputs on request

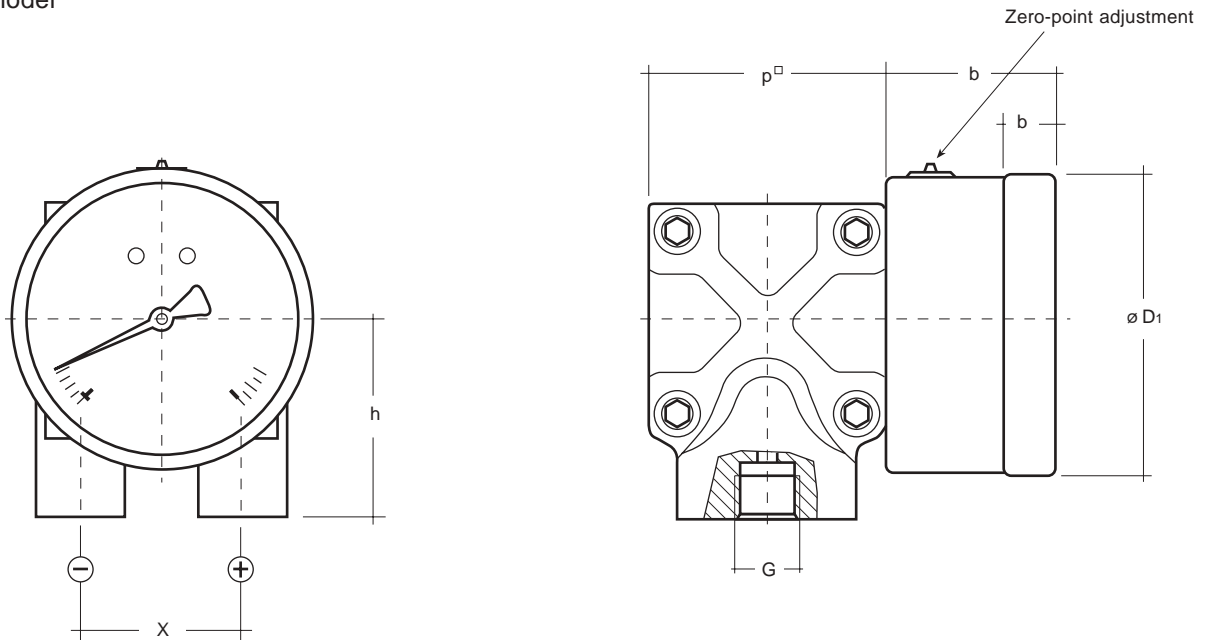
2) According to DIN 43 651

Special accessories: pressure-compensating valve (1 - 5 spindles)

3) Pressure-compensating valves with shut-off valves require thread G 1/2 male on instrument

Dimensional drawings

Standard model



Model	Ranges (bar)	Dimensions (mm)							Weight (kg)
		b	ø D ₁	e	G	h ± 1	p	x	
DF2G...	0.25	58.5 ₁₎	101	17.5 ₁₎	G 1/2	70	140	54	12.0
	> 0.25	58.5 ₁₎	101	17.5 ₁₎	G 1/2	66	80	54	3.5
DG2G	0.25	65.5 ₂₎	161	17.5	G 1/2	70	140	54	12.4
	> 0.25	65.5 ₂₎	161	17.5	G 1/2	66	80	54	3.9

1) Models DF 2G...M, DF 2G...1 with one alarm contact: plus 39 mm

Connection to DIN 16288 type Z

2) Models DF 2G...M, DG 2G...1 with one alarm contact: plus 36 mm
Models DG 2G...A4 with current output: plus 50 mm

Option

Mounting bracket for wall or pipe installation

