



## Pressure Transmitter with Digital Display



messen  
•  
kontrollieren  
•  
analysieren

PDA-15



PDA-25  
PDA-35

- Measuring range:  
-1 ... 0 to 0 ... 400 bar
- Temperature:  
max. 80 °C
- Accuracy:  
±0.5 % FS (±1.0 % FS)
- Housing material:  
Stainless Steel
- Connection:  
G ¼, G ½ male  
¼ NPT or ½ NPT



KOBOLD offices exist in the following countries:

ARGENTINA, AUSTRIA, BELGIUM, BRAZIL, CANADA, CHINA,  
FRANCE, GERMANY, GREAT BRITAIN, ITALY, MEXICO, NETHER-  
LANDS, PERU, POLAND, SWITZERLAND, USA, VENEZUELA

KOBOLD Messring GmbH  
Nordring 22-24  
D-65719 Hofheim/Ts.  
☎ +49(0)6192 299-0  
Fax +49(0)6192 23398  
E-Mail: info.de@kobold.com  
Internet: www.kobold.com

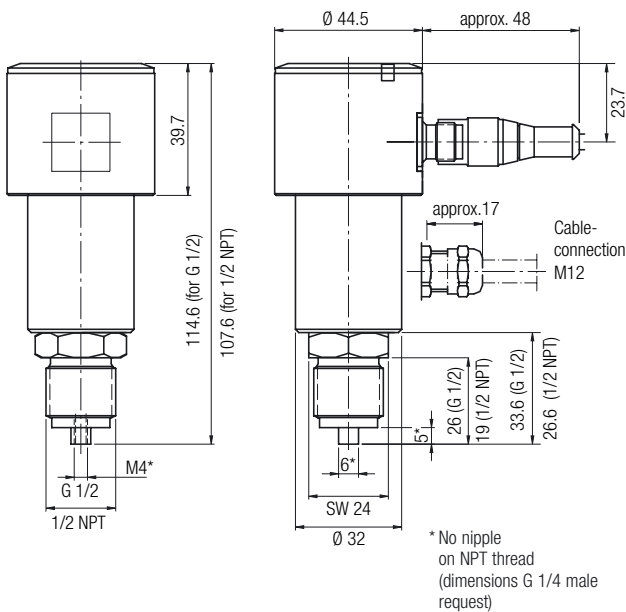
**Model:**  
PDA



**Description**

KOBOLD pressure transmitter series PDA are cost effective electronic pressure transmitters with digital indication of actual pressure. An analogue output (0)4 - 20 mA is available for remote transmission of the measured value. The device is optionally available in addition with a switching output. A piezzo resistive ceramic sensor is used. The units can be used where high switching accuracy is needed. Long term stability, repeatability and the compact and robust design makes it an ideal unit for use in OEM applications.

**Dimensions**



**Applications**

- Compressors
- Machinery industry
- Installations
- Pumps

**Technical Details**

Housing: Stainless Steel 1.4305  
 Connections: G 1/4 or G 1/2 male; St. St. 1.4404  
 Option: 1/4 or 1/2 NPT, others on request  
 Gasket: FPM (Option: EPDM)  
 Sensor element: piezzo resistive ceramic cell  
 Indication: 3-digit LED, 7 mm  
 Resolution: max. 0.01 bar (depending on measuring range and measured value)  
 Media: - 20 to +80 °C  
 Ambient: - 20 to +80 °C  
 Max. temperature:  
 Max. over pressure: up to 60 bar: 3 times  
 from 100 bar: 2 times of the range  
 400 bar: 1.5 times of the range  
 Supply voltage: 24 V<sub>DC</sub> ± 20%  
 Power consumption: approx. 120 mA (without switching output)  
 Electr. connection: Plug M12x1  
 Settings: programmable via 2 buttons:  
 (standard) ● 4 - 20 or 0 - 20 mA  
 ● Start point/end point (current)  
 ● Filter ● Zero point  
 ● Security code  
 Overrange/underflow indication: on LED-display  
 Load: max. 500 Ω  
 Switching output: PNP or NPN semiconductor (factory set), max. 300 mA, short-circuit proof N/O or N/C, programmable  
 Contact: programmable via 2 buttons  
 Switch. point adjustm.: programmable  
 Switching display: 1 LED  
 Output indicator: adjustable via 2 buttons  
 Hysteresis: 0.5...99.5 (separately adjustable)  
 ON/OFF-switch. delay: 0.5 s  
 Response time: ±0.5 % f. s. (±1 % of full scale for measuring range: B025 and B035)  
 Accuracy: IP 65  
 Protection:

**Order Details** (Example: PDA-15 3 R2 C315)

Model	Description	Output	Electrical connection	Mechanical connection	Measuring range*
PDA-	Pressure transmitter with digital display	15= Standard 0(4)-20 mA 25= 0(4)-20 mA, PNP-Switching output 35= 0(4)-20 mA, NPN-Switching output	3= plug M12x1	R2= G 1/4 R4= G 1/2 N2= 1/4 NPT N4= 1/2 NPT	C315 = -1 to 0 bar B025 = 0 to 1 bar B035 = 0 to 1,6 bar B045 = 0 to 2,5 bar B055 = 0 to 4 bar B065 = 0 to 6 bar B075 = 0 to 10 bar B085 = 0 to 16 bar A095 = 0 to 25 bar A105 = 0 to 40 bar A115 = 0 to 60 bar A125 = 0 to 100 bar A135 = 0 to 160 bar A145 = 0 to 250 bar A155 = 0 to 400 bar

**Additional: Electrical connection**

Description	Model
M12x1 socket with 2 m cable	ZUB-KAB-12K002
M12x1 socket with Quickon-plug	ZUB-KAB-12Q000

\*PSI upon request