



## Conductive Level Limit Switches

for Conductive, Water-Contaminating Liquids



measuring  
•  
monitoring  
•  
analysing



- Overfill protection for vessels with water-contaminating liquids (§ 19 WHG)
- Pressure: atmospheric pressure only
- Temperature: max. 60 °C
- Connection: G 1 or G 1 1/2
- Electrode material: Stainless steel, Hastelloy, Titanium, Polyolefine or PTFE coated



KOBOLD companies worldwide:

ARGENTINA, AUSTRIA, BELGIUM, CANADA, CHILE, CHINA, CZECH REPUBLIC, FRANCE, GERMANY, GREAT BRITAIN, INDONESIA, ITALY, MALAYSIA, MEXICO, NETHERLANDS, PERU, POLAND, SWITZERLAND, SINGAPORE, SLOVAKIA, THAILAND, USA, VENEZUELA, VIETNAM

KOBOLD Messring GmbH  
Nordring 22-24  
D-65719 Hofheim/Ts.  
☎ +49(0)6192 299-0  
Fax +49(0)6192 23398  
E-Mail: info.de@kobold.com  
Internet: www.kobold.com

**Model:**  
NEW



**Description**

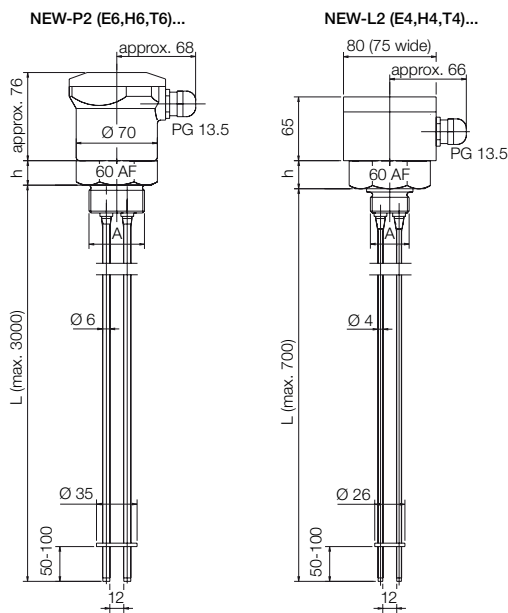
KOBOLD limit switches of model NEW are used for level monitoring and pump control of conductive liquids. The design without any moving parts also allows service with critical media with, for example, solid content, negligible density or high viscosity.

The instruments operate on the conductive principle. A low a. c. voltage is applied between the earth electrode and a switching point electrode. The a.c. voltage is electrically isolated from the mains for safety reasons. If the conductive medium touches the electrodes, a negligible alternating current flows across the electrodes and the conductive medium to the electrode relay. The relay amplifies the alternating current and operates a switching relay or a pump controller.

One electrode NEW-... and one electrode relay type NE-204 are required per switch point for overflow protection\* (according to § 19 WHG).

\*For vessels for storing water-contaminating liquids

**Dimensions**



**Technical Details**

- Housing: Polyamide or Aluminium
- Connections: G 1 or G 1½  
Polypropylene, PTFE or Stainless steel 1.4571
- Electrodes: Stainless steel 1.4571, Hastelloy or Titanium
- Electrode coating: PTFE (complete coating)
- Number of electrodes: 2
- Bridging resistance: 47 kΩ
- Max. temperature: -20 to +60 °C
- Max. pressure: pressureless
- Protection: IP 65

**Electrode relay**

For technical details please refer to pp. 33-36 (Electrode relay model NE).

**Order Details electrode relay**

Description of electrode relay	Supply	
	Order no. 24 V <sub>AC</sub>	Order no. 230 V <sub>AC</sub>
1 limit signal open-circuit detection, switches to the alarm state if auxiliary power fails.	NE-2042	NE-2040

**Order Details** (Example: NEW-P2 E 4 VP 25)

Model	Description	Housing and number of electrodes	Electrode	Electrode diameter and coating	Screwed fitting	Connection and length of electrodes
NEW-	Conductive level limit switches	P2 = Polyamide housing/ double-electrodes L2 = Aluminium housing double-electrodes	E = St. steel H = Hastelloy C T = Titanium	4 = Ø 4 mm PTFE-coating 6 = Ø 6 mm PTFE-coating	VP = Polypropylene VE = St. steel VF = PTFE	25 = G 1 (Ø 4 mm electrode max. 700 mm*) 40 = G 1 1/2 (Ø 6 mm electrode max. 3000 mm*)

\*Please show the length of electrodes in clear text.