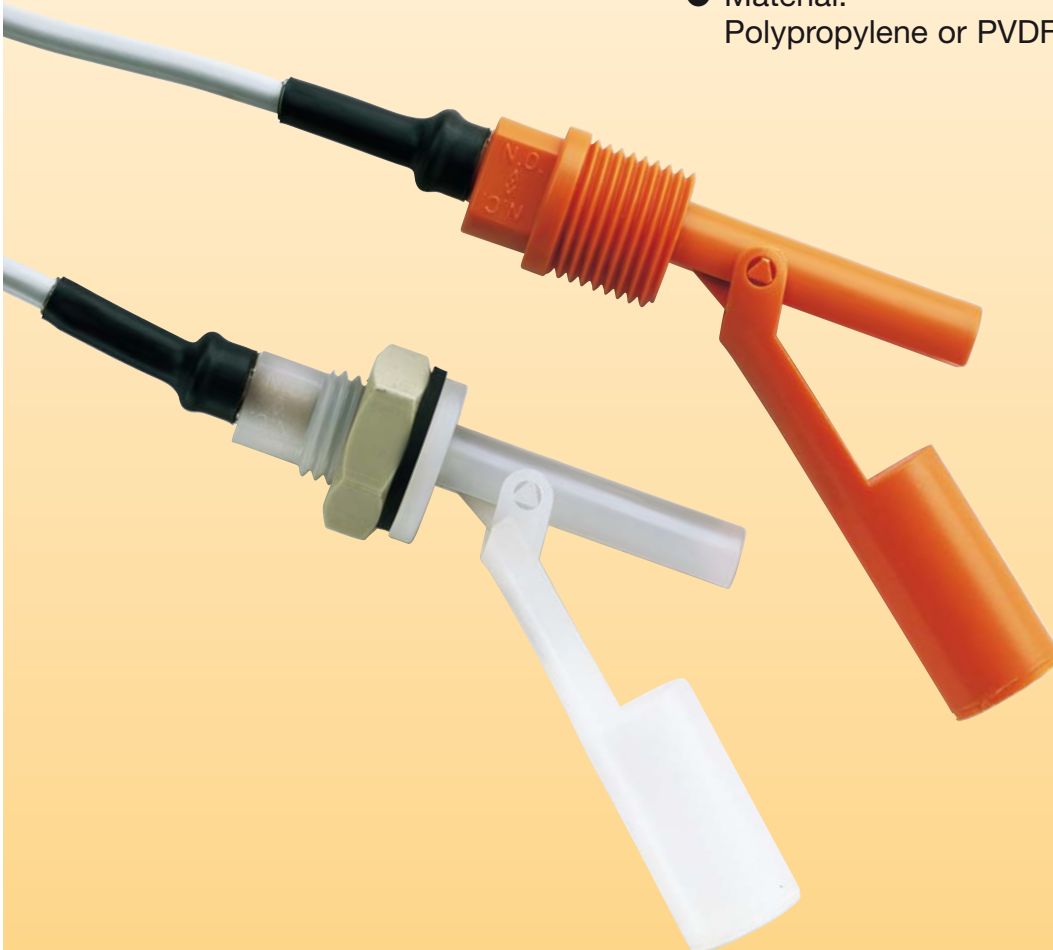


- Pressure: max. 10 bar
- Temperature:  
max. 100 °C
- Connection:  
G 1/2, 1/2 NPT, M16
- Material:  
Polypropylene or PVDF



KOBOLD companies worldwide:

ARGENTINA, AUSTRIA, BELGIUM, CANADA, CHILE, CHINA, CZECH  
REPUBLIC, FRANCE, GERMANY, GREAT BRITAIN, INDONESIA, ITALY,  
MALAYSIA, MEXICO, NETHERLANDS, PERU, POLAND, SWITZERLAND,  
SINGAPORE, SLOVAKIA, THAILAND, USA, VENEZUELA, VIETNAM

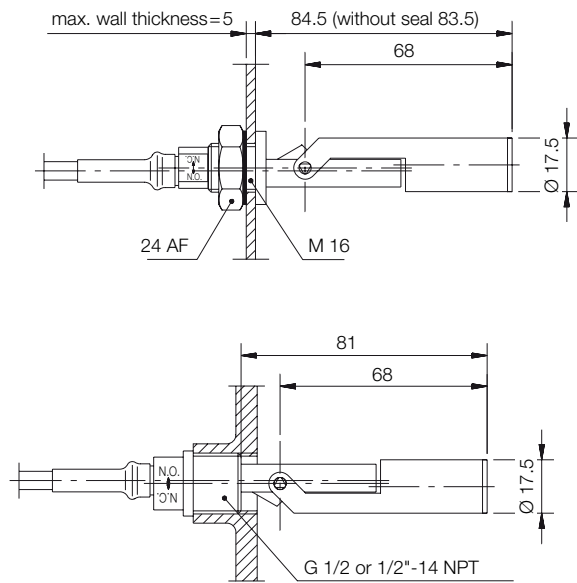
KOBOLD Messring GmbH  
Nordring 22-24  
D-65719 Hofheim/Ts.  
☎ +49(0)6192 299-0  
Fax +49(0)6192 23398  
E-Mail: info.de@kobold.com  
Internet: www.kobold.com

**Model:**  
NKP

**Description**

The plastic level switch NKP is designed for economical control of liquids in vessels. Many industrial applications can be realized with two different plastic versions each with three different mountings. The switch is remarkable for its maintenance-free design, small dimensions and reed contacts with high switch capacity. The switch is mounted on the side of the vessel. A hinged plastic float with a magnet floats up and down through the liquid level. The encapsulated reed contact is operated by the magnet. The switching function (N/O contact / N/C contact) is determined by the installation position. The switching function is reversed by simply rotating the switch through 180°.

**Dimensions**



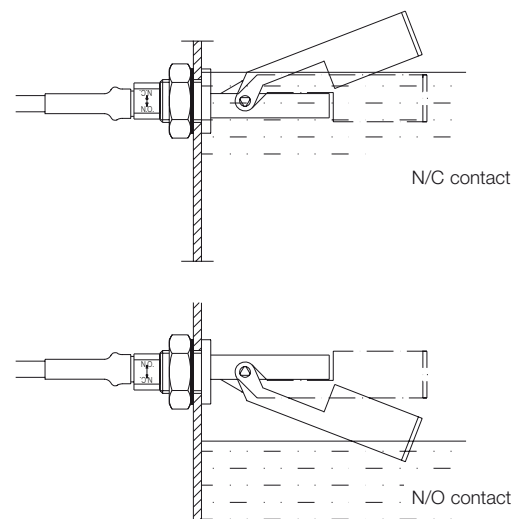
**Order Details** (Example: NKP-14011)

Model	Connection	Housing material	Cable
NKP-	1 = G 1/2	401 = Polypropylene 501 = PVDF	1 = 1 m PVC cable
	2 = 1/2 NPT		1.6 = 1.6 m PVC cable
	6 = M 16		3 = 3 m PVC cable
			Y = special length*

\*Please specify in the clear text.

**Technical Details**

- Switch housing: NKP-14.., -24.., -64..: polypropylene  
NKP-15.., -25.., -65..: PVDF
- Connections: NKP-1..: G 1/2  
NKP-2..: 1/2 NPT  
NKP-6..: M 16
- Float: NKP-14.., -24.., -64..: polypropylene  
NKP-15.., -25.., -65..: PVDF
- Seal: NKP-6401: NBR  
NKP-6501: FPM  
alternative: EPDM
- Max. temperature: NKP-14.., NKP-24.., NKP-64..: 80 °C  
NKP-15.., NKP-25.., NKP-65..: 100 °C
- Max. pressure: 10 bar
- Installation position: horizontal  
(±30° from the horizontal plane)
- Contact components: N/O contact / N/C contact  
(depending on the installation)
- Electr. connection: stranded cable AWG20, 2-core, PVC, 1 m (PUR-cable and silicone cable upon request)
- Switch capacity: max. 230 V<sub>AC/DC</sub>  
max. 40 VA, max. 2 A
- Contact resistance: max. 80 mΩ
- Min. electric streng: 400 V<sub>DC</sub> / 1 s
- Medium density: NKP-14.., -24.., -64..: > 0.6 kg/dm<sup>3</sup>  
NKP-15.., -25.., -65..: > 0.95 kg/dm<sup>3</sup>
- Protection: IP 68



**Applications**

- Car washes
- Cleaning machines
- Plastic tanks