



- Easy to install
- Mounting position independent
- Material: nickel-plated brass or stainless steel
- Connection: G 3/4 male
- Switch point fixed:
+30°C to 120°C



KOBOLD offices exist in the following countries:

**ARGENTINA, AUSTRIA, BELGIUM, CANADA, CHINA,
COLOMBIA, FRANCE, GERMANY, GREAT BRITAIN,
NETHERLANDS, POLAND, SWITZERLAND, USA, VENEZUELA**

KOBOLD Messring GmbH
Nordring 22-24
D-65719 Hofheim/Ts.
☎ (06192) 299-0
Fax (06192) 23398
E-mail: info.de@kobold.com
Internet: www.kobold.com

Model:
TWR



Description

The KOBOLD temperature switches work with a bi-metal switch and serve to monitor temperature of liquids in piping and vessels.

The instruments are available in brass or stainless steel and are screwed through a G 3/4 screw-in thread into a screwed socket that is welded onto the line or vessel.

The temperature contacts have a fixed switch point in intervals of 5°C in the range 30°C to 50°C, and in intervals of 10°C between 50°C and 120°C.

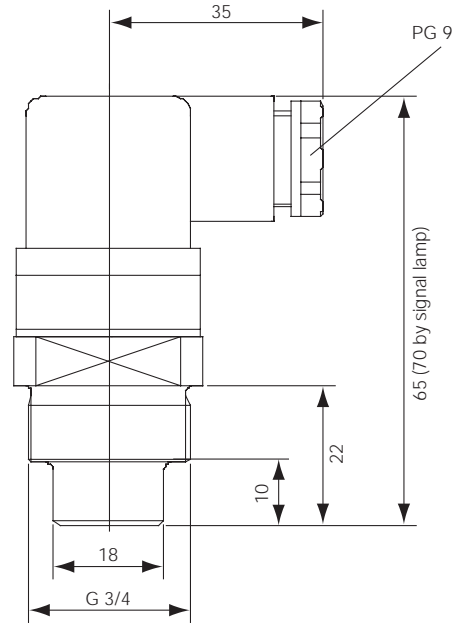
They are available as N/C or N/O contacts.

Standard electrical connection is made through a plug connector, in which a pilot lamp can be integrated as an additional output state indicator.

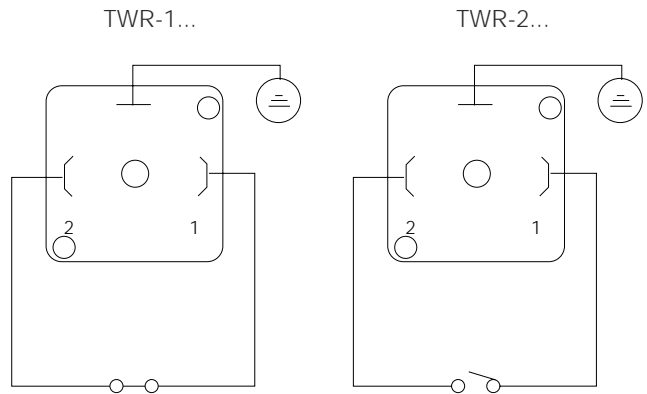
Technical Details

- Contact operation: N/O contact or N/C contact
- Electrical connection: plug connector according to DIN 43 650 optional with pilot lamp
- Min. switching current: 100 mA
- Max. Switch capacity: 250 V_{AC}; 30V_{DC}; 4 A (pilot lamp 1A)
- Contact resistance: < 30 m Ω
- Housing: brass or stainless steel 1.4301
- Connection: G 3/4 male
- Nominal pressure: PN 64
- Weight: 0.5 kg
- Temperature max.: 150°C
- Switching hysteresis max.: 20°C
- Tolerance: switch points 30-90°C: ±5°C
switch points 100-120°C: ±7°C
- Protection: IP 65

Dimensions



Electrical connection



Order Details (Example: TWR-11030 L)

Switching range	N/C contact (with rising temperature)		N/O contact (with rising temperature)		Pilot lamp
	Brass	Stainless steel	Brass	Stainless steel	
30°C	TWR-11030..	TWR-12030..	TWR-21030..	TWR-22030..	..0 = without ..L = LED 24 VDC ..G = Pilot lamp 230 VAC
35°C	TWR-11035..	TWR-12035..	TWR-21035..	TWR-22035..	
40°C	TWR-11040..	TWR-12040..	TWR-21040..	TWR-22040..	
45°C	TWR-11045..	TWR-12045..	TWR-21045..	TWR-22045..	
50°C	TWR-11050..	TWR-12050..	TWR-21050..	TWR-22050..	
60°C	TWR-11060..	TWR-12060..	TWR-21060..	TWR-22060..	
70°C	TWR-11070..	TWR-12070..	TWR-21070..	TWR-22070..	
80°C	TWR-11080..	TWR-12080..	TWR-21080..	TWR-22080..	
90°C	TWR-11090..	TWR-12090..	TWR-21090..	TWR-22090..	
100°C	TWR-11100..	TWR-12100..	TWR-21100..	TWR-22100..	
110°C	TWR-11110..	TWR-12110..	TWR-21110..	TWR-22110..	
120°C	TWR-11120..	TWR-12120..	TWR-21120..	TWR-22120..	