

## Turbidity Meter

Infrared transmitted light (absorption)  
technique



- Measuring range: 0-100%
- Repeatability:  $\leq 5\%$
- $p_{\max}$ : 10 bar,  
 $t_{\max}$ : 90°C, short-time 120°C
- Different connections  
and nominal sizes
- Food-compatible materials,  
hygienic according to EHEDG
- Analogue output: 0/4-20 mA
- Good chemical resistance
- CIP-compliant



KOBOLD offices exist in the following countries:

**ARGENTINA, AUSTRIA, BELGIUM, BRAZIL, CANADA,  
CHINA, COLOMBIA, FRANCE, GREAT BRITAIN, NETHERLANDS,  
POLAND, SWITZERLAND, USA, VENEZUELA**

KOBOLD Messring GmbH  
Nordring 22-24  
D-65719 Hofheim/Ts.  
☎ (061 92) 299-0  
Fax (061 92) 233 98  
E-mail: info.de@kobold.com  
Internet: www.kobold.com

**Model:**  
LAT-N2



**Description:**

Turbidity measurement is an indispensable tool in the automation of industrial processes in process engineering and in environmental protection. The KOBOLD turbidity meter LAT-N2 has been developed for areas, where light (visible) to strong turbidities serve in control regimes. The simple robust fitting, made of stainless steel, along with the well protected evaluating electronics can be easily integrated into a new or existing plant. The hygienic design meets the demands of food processing industry. The analogue output signal (0/4-20 mA) allows different evaluation devices, such as digital indicators, limit value controllers or a PLC's to be connected.

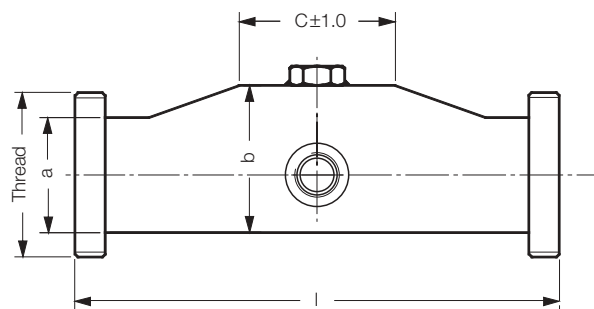
**Application Examples:**

- Process control
- Dosing sequences
- Phase separation of milk/water, product/water, waste water/water, etc.
- Waste water

**Technical Details:**

Method of measurement: infrared transmitted light  
 Measuring range: 0-100 %  
 Repeatability: ≤5 %  
 Process temperature: 0-90 °C, short-time 120 °C  
 Ambient temperature.: 0-50 °C  
 Storage temperature: -20 to +70 °C  
 Humidity: 0-95 % rH  
 Non-condensing  
 Max. pressure: 10 bar  
 Body material: stainless steel 1.4301 (V2A)  
 Screw-in sleeve material: 1.4571 (V4A)  
 with silica glass pane  
 Process connections: DN 40, 50, 65, 80, 100  
 dairy connection according to DIN 11851  
 pipe thread (hygienic) according to DIN 11864  
 welded hexagon nipple (EHEDG-compliant)  
 Wavelength: 880 nm  
 Display: height of digits 12.7 mm  
 Analogue output: 0/4-20 mA, overcurrent limiting 25 mA  
 Burden: max. 500 Ω  
 Supply voltage: 24 V<sub>DC</sub>, approx. 100 mA  
 Protection type: IP 65  
 Noise immunity: IEC 801-4 interference level 3  
 Weight: approximately 2.6 kg

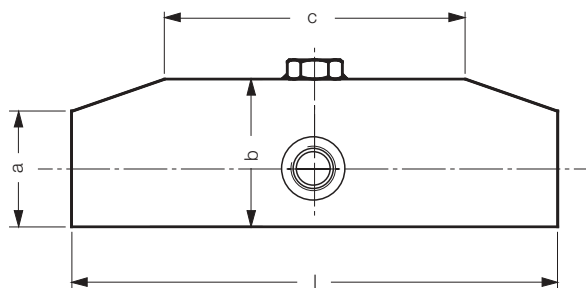
**Dimensions (dairy connection):**



Nominal size process connection	a	b	c (mm)	l (mm)	Screw thread
DN 40	DN 40	DN 65	60	250	DIN 405
DN 50	DN 50	DN 65	74	230	RD 78x1/6
DN 65	DN 65	DN 80	88	250	RD 95x1/6
DN 80	DN 80	DN 80	-	250	RD 110x1/6
DN 100	DN 100	DN 100	-	250	DIN 405

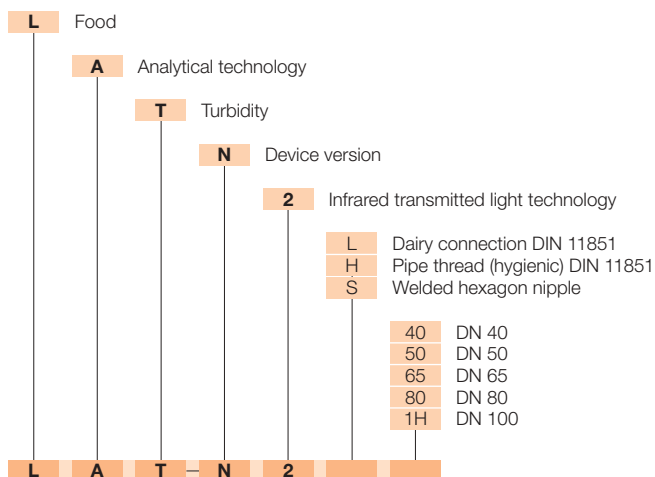


**Dimensions (welded hexagon nipple):**



Nominal size process connection	a	b	c (mm)	l (mm)
DN 40	DN 40	DN 65	86	230
DN 50	DN 50	DN 65	142	230
DN 65	DN 65	DN 80	168	250
DN 80	DN 80	DN 80	-	250
DN 100	DN 100	DN 100	-	250

**Type code**



Please refer to our brochure »A1«...



...for analytical metrology