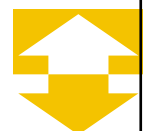




- Input signal from type NM, ZA, 0–5 VDC, 0–10 VDC, 0/4–20 mA, 0–4 mA
- Output signal 0–10 VDC, 0/4–20 mA
- 0–1 mA output for additional display
- fully adjustable
- Supply voltage 24 VDC, 24 VAC, 115 VAC, 230 VAC
- Protection IP 40



KOBOLD offices exist in the following countries:

ARGENTINA, AUSTRIA, BELGIUM, CANADA, CHINA, FRANCE, GERMANY, GREAT BRITAIN, NETHERLANDS, POLAND, SINGAPORE, SWITZERLAND, USA, VENEZUELA

KOBOLD Messring GmbH
 Nordring 22-24
 D-65719 Hofheim/Ts.
 ☎ (06192) 299-0
 Fax (06192) 23398
 E-mail: info.de@kobold.com
 Internet: www.kobold.com

Model:
 DFA
 DFM
 DST



Description

The display and monitoring device model DFA is a universal device for evaluating a transmitter signal. The simple design of the instruments allows fast and secure installation.

The instruments comprise the following components:

- One analogue indicator 0–100 %
- Two adjustable limit contacts
- 0–1 mA output for additional analogue indicator
- 0–20 mA, 4–20 mA or 0–10 VDC output signal

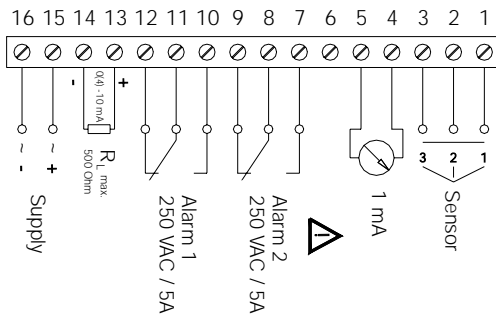
The following transmitters can be connected to the instruments:

- Level transmitter model NM (0–5 kOhm; 0–40 kOhm)
- potentiometer (0-1 kOhm)
- Standard signals 0–5 VDC, 0–10 VDC, 0–4 mA, 0–20 mA, 4–20 mA

Technical Details

- Supply voltage: 24 VDC; 24 VAC; 115 VAC; 230 VAC ±10%, 50–60 Hz
- Power input: approximately 3 VA
- Output: 0 or 4–20 mA (load 0–500 Ohm) 0–10 VDC (R ≥ 500 Ohm)
- Accuracy: ±0.3% of full scale value
- Integral indicating instrument: 0–100%, category 2.5
- Relay: Two limit value relays, changeover contact max. 250 VAC, 5 A, 1300 VA; finely adjustable switch point indication with LEDs two keys for short-circuiting the display when adjusting the contacts
- Housing: plastic pluggable
- Dimensions: 150 x 75 x 106 mm
- Protection: IP 40
- Ambient temperature: -20°C to +60°C
- Weight: 600 g

Wiring diagram

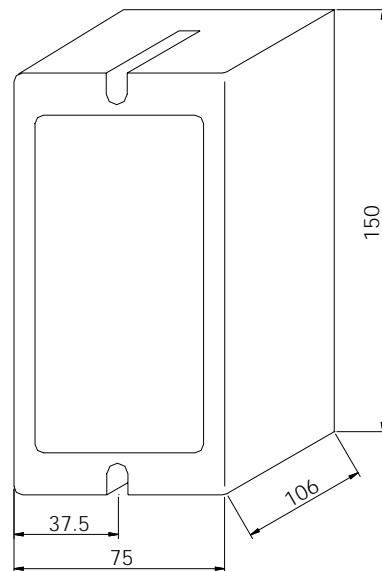


PIN	ZA, NM	0(4)–20 mA 0–10 V
1	1 (yellow)	-
2	2 (red)	GND
3	3 (black)	SIGN
6	-	-

Important!

During installation make sure that the electrical wiring between remote transmitter and electronics transducer is carried out exactly as shown in the wiring diagram. Should the connection be incorrect the transmitter may be destroyed during initial operation. The warranty is then null and void.

Dimensions



Order Details (Example: DFA-24GZA 04)

Input signal	Order no.				Output signal
	Supply 24 VDC	Supply 24 VAC	Supply 115 VAC	Supply 230 VAC	
potentiometer (0-1 kOhm)	DFA-24GZA...	DFA-24WZA...	DFA-11WZA...	DFA-23WZA...	...0A= 0–20 mA
Level transducer NM-...	DFA-24GNM...	DFA-24WNM...	DFA-11WNM...	DFA-23WNM...	...4A= 4–20 mA
Standard signal 0–20 mA	DFA-24G0A...	DFA-24W0A...	DFA-11W0A...	DFA-23W0A...	...V= 0–10 VDC
Standard signal 4–20 mA	DFA-24G4A...	DFA-24W4A...	DFA-11W4A...	DFA-23W4A...	
Standard signal 0–10 VDC	DFA-24GV...	DFA-24WV...	DFA-11WV...	DFA-23WV...	



Description

The universal transmitters of model DFM are universal devices for evaluating a transmitter signal. The simple design of the instruments allows fast and secure installation.

The instruments comprise the following components:

- 0–1 mA output for additional analogue indicator
- 0–20 mA, 4–20 mA or 0–10 VDC output signal

The following transmitters can be connected to the instruments:

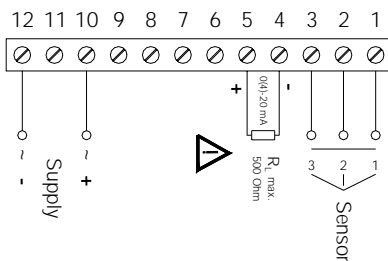
- Temperature sensors Pt 100 (0 to +100°C, -20 to +150°C or 0 to +200°C)
- Level transmitter model NM (0–5 kOhm; 0–40 kOhm)
- potentiometer (0-1 kOhm)
- Standard signals 0–5 VDC, 0–10 VDC, 0–4 mA, 0–20 mA, 4–20 mA

Technical Details

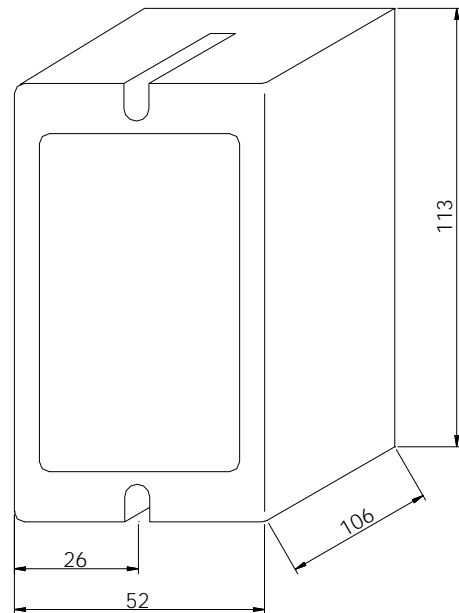
- Supply voltage: 24 VDC; 24 VAC; 115 VAC; 230 VAC ±10%, 50–60 Hz
- Power input: approximately 3 VA
- Output: 0 or 4–20 mA (load 0–500 Ohm) 0–10 VDC (R ≥ 500 Ohm)
- Accuracy: ±0.3% of full scale value
- Housing: plastic pluggable
- Dimensions: 132 x 52 x 106 mm
- Protection: IP 40
- Ambient temperature: -20°C to +60°C
- Weight: 380 g

Dimensions

Wiring diagram



PIN	ZA, NM	0(4)–20 mA 0–10 V	Pt100
1	1 (yellow)	-	1 or 4 mA
2	2 (red)	GND	SIGN
3	3 (black)	SIGN	SIGN
6	-	-	REF



Important!

During installation make sure that the electrical wiring between remote transmitter and electronics transducer is carried out exactly as shown in the wiring diagram. Should the connection be incorrect the transmitter may be destroyed during initial operation. The warranty is then null and void.

Order Details (Example: DFM-24GZA 04)

Input signal	Order no.				Output signal
	Supply 24 VDC	Supply 24 VAC	Supply 115 VAC	Supply 230 VAC	
potentiometer (0-1 kOhm)	DFM-24GZA...	DFM-24WZA...	DFM-11WZA...	DFM-23WZA...	...0A= 0–20 mA
Level transducer NM-...	DFM-24GNM...	DFM-24WNM...	DFM-11WNM...	DFM-23WNM...	...4A= 4–20 mA
Pt 100 (0 to +100°C)	DFM-24GP1...	DFM-24WP1...	DFM-11WP1...	DFM-23WP1...	...V= 0–10 VDC
Pt 100 (-20 to +150°C)	DFM-24GP2...	DFM-24WP2...	DFM-11WP2...	DFM-23WP2...	
Pt 100 (0 to +200°C)	DFM-24GP3...	DFM-24WP3...	DFM-11WP3...	DFM-23WP3...	
Standard signal 0–20 mA	DFM-24G0A...	DFM-24W0A...	DFM-11W0A...	DFM-23W0A...	
Standard signal 4–20 mA	DFM-24G4A...	DFM-24W4A...	DFM-11W4A...	DFM-23W4A...	
Standard signal 0–10 VDC	DFM-24GV...	DFM-24WV...	DFM-11WV...	DFM-23WV...	



Description

Transmitters of model DST are universal devices for evaluating a transmitter signal. The simple design of the instruments allows fast and secure installation.

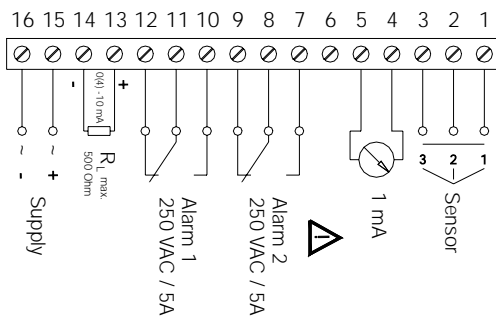
The instruments comprise the following components:

- Two adjustable limit contacts
- 0–1 mA output for additional analogue indication
- 0–20 mA, 4–20 mA or 0–10 VDC output signal

The following transmitters can be connected to the instruments:

- Level transmitter model NM (0..5 kOhm; 0..40 kOhm)
- potentiometer (0-1 kOhm)
- Standard signals 0–5 VDC, 0–10 VDC, 0–4 mA, 0–20 mA, 4–20 mA

Wiring diagram



PIN	ZA, NM	0(4)-20 mA 0-10 V
1	1 (yellow)	-
2	2 (red)	GND
3	3 (black)	SIGN
6	-	-

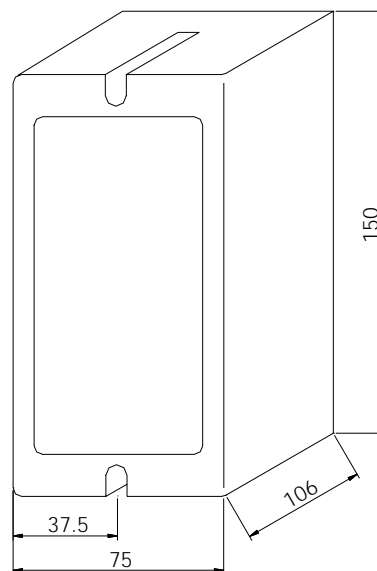
Important!

During installation make sure that the electrical wiring between remote transmitter and electronics transducer is carried out exactly as shown in the wiring diagram. Should the connection be incorrect the transmitter may be destroyed during initial operation. The warranty is then null and void.

Technical Details

- Power supply: 24 VDC; 24 VAC; 115 VAC; 230 VAC ±10%, 50–60 Hz
- Power input: approximately 3 VA
- Output: 0 or 4..20 mA (load 0–500 Ohm) 0–10 VDC (R ≥ 500 Ohm)
- Accuracy: ±0.3 % of full scale value
- Output: 0–1 mA
- Relay: Two limit value relays, changeover contact max. 250 VAC, 5A, 1300 VA finely adjustable with potentiometer, switch point indication with LEDs
- Housing: plastic pluggable
- Dimensions: 150 x 75 x 106 mm
- Protection: IP 40
- Ambient temperature: -20°C to +60°C
- Weight: 600 g

Dimensions



Order Details (Example: DST-24GZA 04)

Input signal	Order no.				Output signal
	Supply 24 VDC	Supply 24 VAC	Supply 115 VAC	Supply 230 VAC	
potentiometer (0-1 kOhm)	DST-24GZA...	DST-24WZA...	DST-11WZA...	DST-23WZA...	...0A= 0–20 mA
Level transducer NM-...	DST-24GNM...	DST-24WNM...	DST-11WNM...	DST-23WNM...	...4A= 4–20 mA
Standard signal 0–20 mA	DST-24G0A...	DST-24W0A...	DST-11W0A...	DST-23W0A...	...V= 0–10 VDC
Standard signal 4–20 mA	DST-24G4A...	DST-24W4A...	DST-11W4A...	DST-23W4A...	
Standard signal 0–10 VDC	DST-24GV...	DST-24WV...	DST-11WV...	DST-23WV...	