

EMIT SIM



Made by DESCO
in USA

EMIT

EMIT SIM

EMIT SIM 软件的功能

- EMIT是DESCO公司静电消除设备和接地监测器等产品品牌，通过配套的SIM (Smart Ionization & Monitoring)软件可以设备组网和远端监控及记录
- SIM软件配套以下设备：

■ ZVI桌面型例子风机	产品型号：50670
■ ZVI吊顶型例子风机	产品型号：50671(2风扇); 50672(3风扇)
■ ZVM SOLO接地监测器	产品型号：50576(单工位)
■ ZVM接地监测器	产品型号：50528(双工位)
■ DPM接地监测器	产品型号：50522(双工位)
■ ULVM接地监测器	产品型号：50580(双工位)
- SIM软件可以单独监控上述任何一种产品，上述所有产品也可以混合组网由SIM软件监控
- 所有设备组网采用RS-485线缆菊花链方式连接，单组最远距离可达1200米
- SIM软件可运行于Windows XP, Windows Vista和Windows 7系统(32位或64位)



Made by DESCO
in USA

EMIT

EMIT SIM

EMIT SIM 软件的优点

- 超级稳定性
 - 离子风机或接地监测仪发出的报警有可能会被员工忽略
 - SIM会记录和显示非正常事件, 管理人员可以知道详细情况
 - 不再需要人工每天检查各设备状况
- 快速确认故障
 - 所有报警和非正常状况都自动记录
 - 查看记录可以确认非正常事件
- 校正和维护管理
 - 用户可设置校正或维护计划, 软件会根据设置提醒管理人员



Made by DESCO
in USA

EMIT

EMIT SIM

载入和记录每个设备发生的事件

Location	Name	DeviceType	UnitID	Operator	Condition	DateStamp	TimeStamp	Duration
NH1	Peter George	ULVM	1103012	1	Operator Fail	2011-11-04	9:31 AM	00:00:37
Assembly	Victor Arellano	ZVMSolo	1145003	1	Tool Fail	2011-11-04	9:31 AM	00:00:37
CA1-2	Alex Hernandez	ZVI Overhead	3	0	Balance Fail	2011-11-04	9:31 AM	00:00:35
CA1	Angela Ramirez	ZVI Bench Top	2	0	Balance Fail	2011-11-04	9:31 AM	00:00:36
Test Lab	Martha Martinez	DPM	0	1	Mat Fail	2011-11-04	9:31 AM	00:00:35
S1-3	Ted Krueger	ZVM	0	1	Not Responding - Fail	2011-11-04	9:31 AM	00:00:34
S1-3	Dennis Loomer	ZVM	0	2	Not Responding - Fail	2011-11-04	9:31 AM	00:00:34

- SIM软件载入和记录所有通过RS-485连接线组网设备的数据
- 选取“Current Fault”可以筛选出所有非正常报警
- 可跟踪设备型号, 使用人员, 设备所在地址, 非正常类型, 发生的日期和时间, 报警持续的时间等



Made by DESCO
in USA

EMIT SIM

ZVM Solo Status							
	Location	Name	Operator	Supervisor	MAT	TOOL	Charge
▶	Assembly	Albert	PASS	PASS	FAIL	PASS	PASS
	Lab	Rob	PASS	PASS	PASS	PASS	PASS
	Assembly	Paul	PASS	NOT CONNECTED	PASS	PASS	PASS
	Assembly	Chris	PASS	PASS	PASS	PASS	PASS
	Lab	Mark	FAIL	NOT CONNECTED	FAIL	PASS	PASS
	Lab	Jim	FAIL	PASS	PASS	PASS	PASS
	Assembly	Diane	PASS	PASS	PASS	PASS	PASS
	Lab	Peter	PASS	PASS	PASS	PASS	PASS
	Assembly	Carlos	NOT CONNECTED	NOT CONNECTED	PASS	PASS	PASS
	Lab	Sandy	NO RESPONSE	NO RESPONSE	NO RESPONSE	NO RESPONSE	NO RESPONSE
*							

ZVI Status						
	Location	Name	DeviceType	Fan1	Fan2	Fan3
▶	Assembly	Victor	ZVI Bench Top	PASS		
	Assembly	Albert	ZVI Bench Top	PASS		
	Assembly	Matt	ZVI Bench Top	PASS		
	Lab	John	ZVI Bench Top	PASS		
	Assembly	Diane	ZVI Bench Top	PASS		
	Lab	Alex	ZVI Bench Top	PASS		
	Lab	Bob	ZVI Overhead	PASS	PASS	
	Lab	Roberto	ZVI Overhead	PASS	PASS	
	Lab	Pete	ZVI Overhead	PASS	PASS	PASS
	Lab	Paul	ZVI Overhead	PASS	PASS	PASS
	Lab	Rob	ZVI Overhead	PASS	PASS	PASS

- 点击导航条上的各设备名称查看从该类型设备导入的数据
- 显示各设备PASS, FAIL, NOT CONNECTED等状况

MONITORED DEVICES

Ionizers

ZVM

Dual Programmable Monitor

ZVM Solo

ULVM

Faults



Made by DESCO
in USA

EMIT SIM

生成报告

ZVI Activity Report

2011-08-10 4:01:16PM

Location	Name	DeviceType	Status	Date	Time	Duration	ComPort	Unit ID
Assembly	Victor	ZVI Bench Top	Balance OK	08/10/2011	15:56.57	00:01:54	COM1	1
Assembly	Victor	ZVI Bench Top	Not Responding - Fail	08/10/2011	15:56.08	00:00:34	COM1	1
Assembly	Victor	ZVI Bench Top	Balance OK	08/10/2011	15:55.53	00:00:00	COM1	1
Assembly	Victor	ZVI Bench Top	Not Responding - Fail	08/10/2011	15:54.48	00:00:41	COM1	1
Assembly	Victor	ZVI Bench Top	Balance OK	08/10/2011	15:16.59	00:01:15	COM1	1
Assembly	Victor	ZVI Bench Top	Balance OK	08/10/2011	15:13.54	00:01:19	COM1	1
Lab	Todd	ZVI Overhead	Pass, Pass, Pass	08/10/2011	15:55.53	00:02:59	COM1	2
Lab	Todd	ZVI Overhead	Pass, Pass, Pass	08/10/2011	15:54.48	00:00:42	COM1	2
Lab	Todd	ZVI Overhead	Pass, Pass, Pass	08/10/2011	15:17.00	00:01:14	COM1	2
Lab	Todd	ZVI Overhead	Pass, Pass, Pass	08/10/2011	15:13.54	00:01:19	COM1	2

Select Report

DEVICES TO REPORT

Smart Hub ZVM Solo ALL

Ionizers ULVM

DATES TO REPORT

Start Date End Date

October, 2011 October, 2011

25	26	27	28	29	30	31	1	25	26	27	28	29	30	1
2	3	4	5	6	7	8	9	2	3	4	5	6	7	8
9	10	11	12	13	14	15	16	9	10	11	12	13	14	15
16	17	18	19	20	21	22	23	16	17	18	19	20	21	22
23	24	25	26	27	28	29	30	23	24	25	26	27	28	29
30	31	1	2	3	4	5	Today: 2011-10-28	30	31	1	2	3	4	5

Show Faults Only

Run Report Cancel

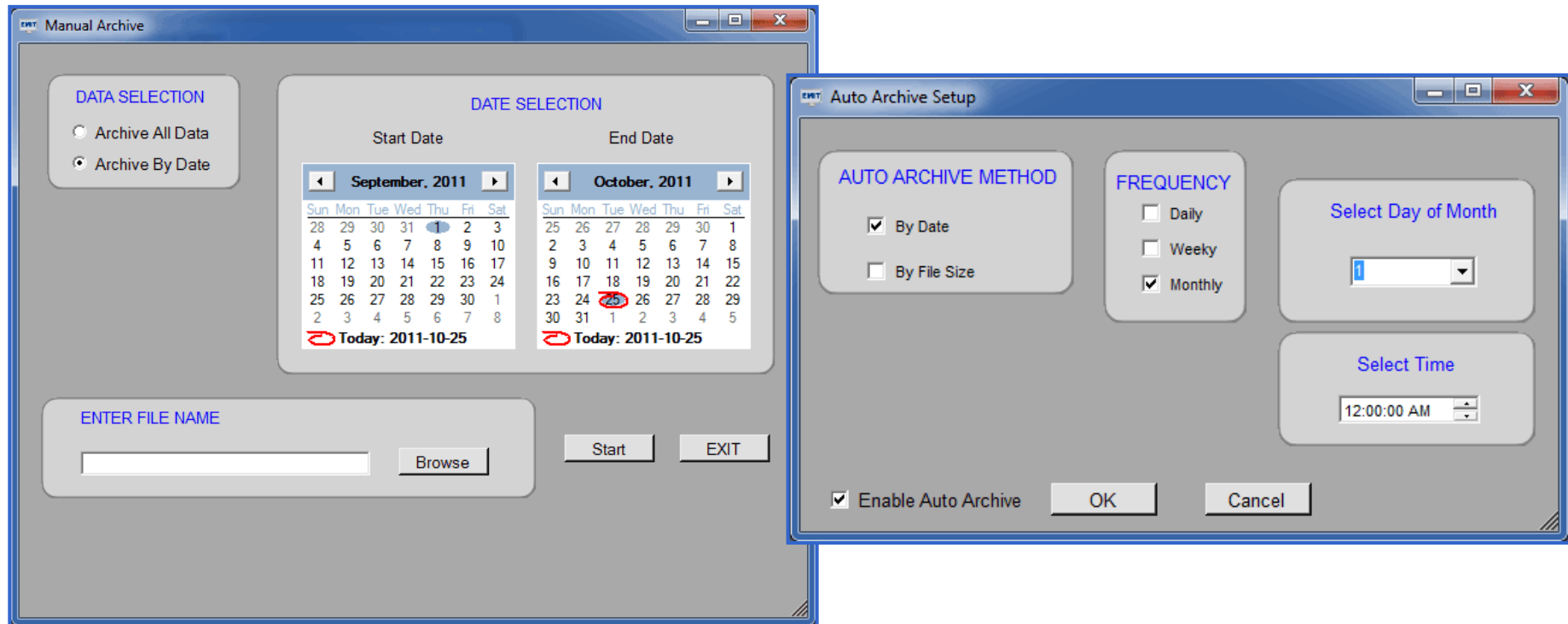
- 生成具体报告
- 可通过设备类型, 日期, 状况来筛选数据
- 报告显示事件持续的时间, 有助于快速查出问题原因
- 报告可导出到Excel, Word等应用程序, 还可以生成PDF文档格式



Made by DESCO
in USA

EMIT SIM

数据存档



- 自动或手动存档数据
- 按日期或文件大小存档
- 设置按每天, 每星期, 每月来存档数据



Made by DESCO
in USA

EMIT SIM

管理校正计划

The screenshot shows two windows from the EMIT SIM software. The 'Calibration Log' window displays a table of device calibration records. The 'Calibration Settings' window allows for configuring the re-calibration notifier for various device types.

	Location	Name	Device Type	ComPort	HUBAddress	PortAddress	UnitID	SerialNumber	LastCalibration	NextCalibration
▶	Assembly	Roberto Garayo	ZVMSolo	COM1	0	0	1140005	505761140005		1900-01-01
	NH1	Peter George	ULVM	COM1	0	0	1103012	505801103012		1900-01-01
	S1-2	Ricardo Garcia	ZVM	COM1	0	3	0	505281002026	2010-01-05	2011-01-05
	Test Lab	Martha Martinez	DPM	COM1	1	1	0	505221003005	2010-01-12	2011-01-12
	CA1	Juan Rivera	ZVI Bench Top	COM1	0	0	1	506631021001	2010-05-26	2011-05-26
	S1-3	Ted Krueger	ZVM	COM1	0	1	0	505281051010	2010-12-20	2011-12-20
	CA1	Angela Ramirez	ZVI Bench Top	COM1	0	0	2	506701102005	2011-01-04	2012-01-04
	CA1-2	Alex Hernandez	ZVI Overhead	COM1	0	0	3	506651131002	2011-06-16	2012-06-16
	CA3	Matt Bode	DPM	COM1	0	2	0	505221142001	2011-08-24	2012-08-24
	Assembly	Victor Arellano	ZVMSolo	COM1	0	0	1145003	505761140003	2011-10-24	2012-10-24
	Test Lab	Ryan Paules	ZVMSolo	COM1	0	0	1141002	505761141002	2011-11-02	2012-11-02
	Assembly	Ron Butler	ZVMSolo	COM1	0	0	1141001	505761141001	2011-11-02	2012-11-02
*										

Calibration Settings

RE-CALIBRATION NOTIFIER (Months)

- ZVI Bench Top: 10
- ZVI Overhead: 11
- ZVM: 12
- Dual Programmable Monitor: 12
- ZVM Solo: 9
- ULVM: 12

Devices Due for Calibration

- 采用校正日志管理设备编号和校正日期
- 软件自动周期性检查每个设备是否到了校正期
- 可为每个设备设置1-12个月的校正期
- 到了所设置的校正期, 报警显示或通过邮件通知



Made by DESCO
in USA

EMIT SIM

邮件通知

Email Setup

USER INFORMATION

Your Name: John Doe

E-mail Address: John.Doe@Company.com

Password: *****

SERVER INFORMATION

Outgoing mail server: smtp.company.com
Example: smtp.gmail.com

EMAIL Type: SMTP

Port Address: 25

SSL Required: NO

EMAIL FREQUENCY

Daily Weekly Monthly

Enable EMAIL

RECIPIENT INFORMATION

	Email Address
▶	Steven.Smith@Company.com
	Michael.Guy@Company.com
*	

E-mail Address: _____

Subject Text: Calibration Due Alert

Delete Add

OK Cancel

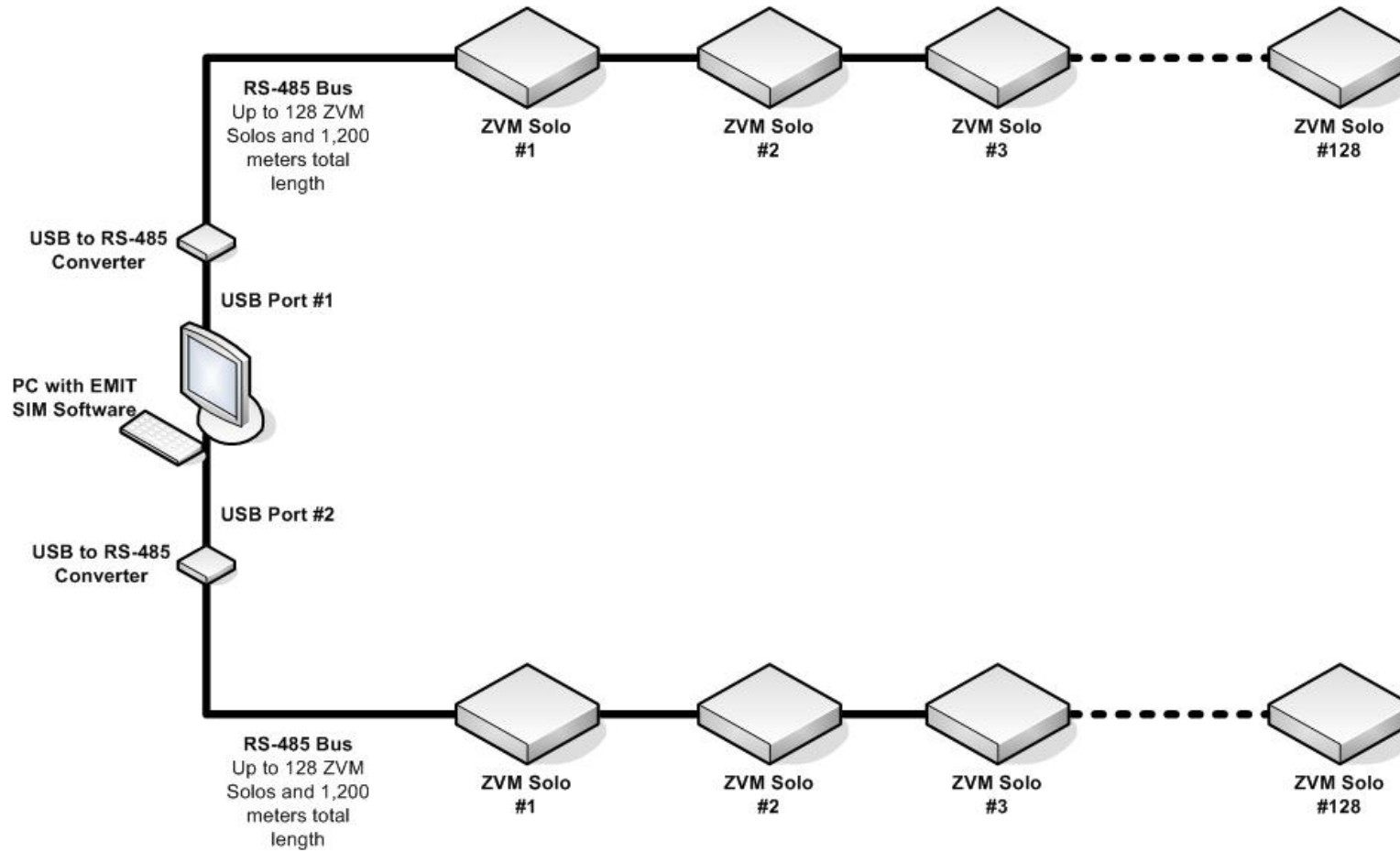
- 各个设备到了所设置的校正期, 软件自动发送邮件通知
- 可预先设置收件人名录, 软件自动通知名录上的人员



Made by DESCO
in USA

EMIT SIM

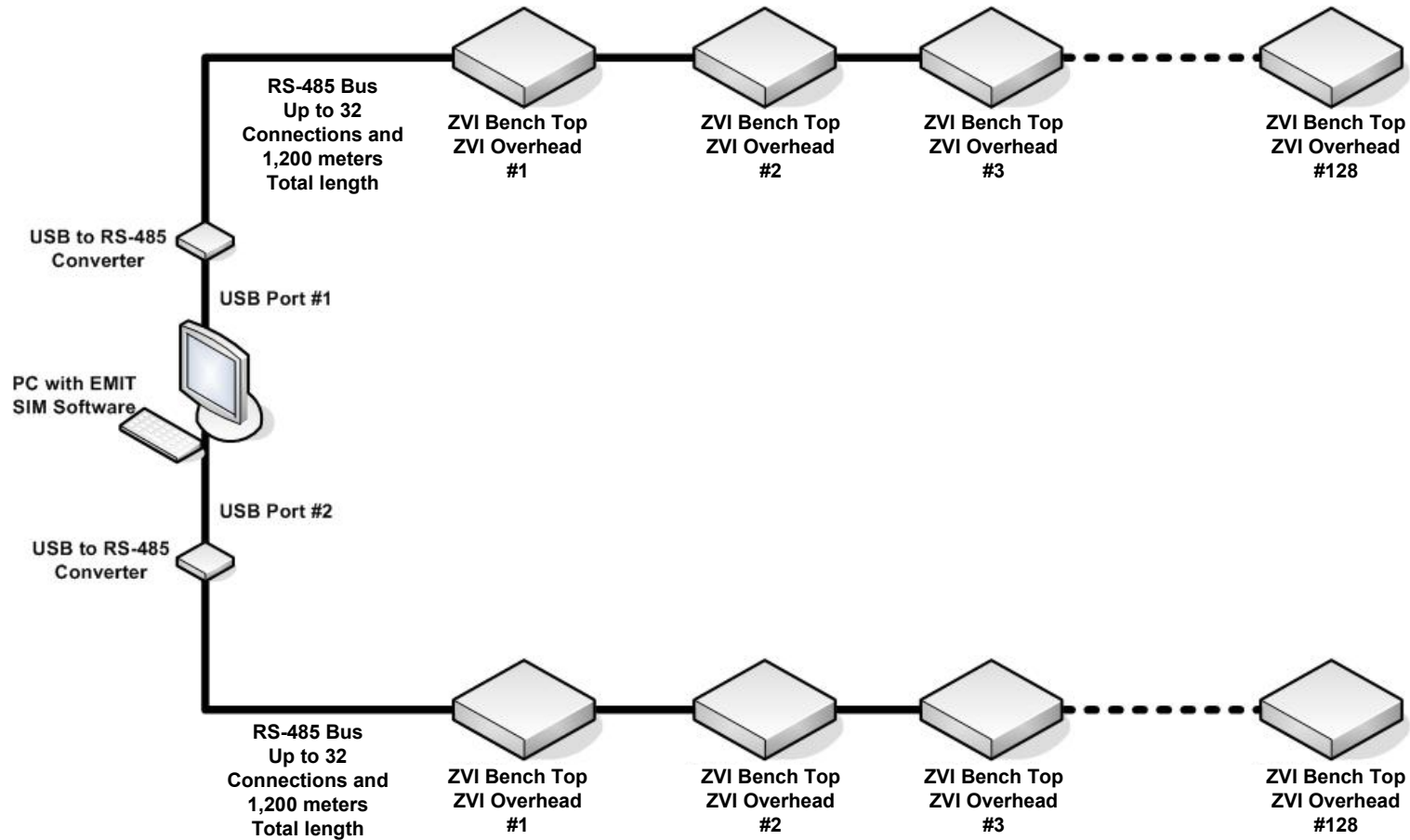
ZVM Solo 接地监测器组网图示



Made by DESCO
in USA

EMIT SIM

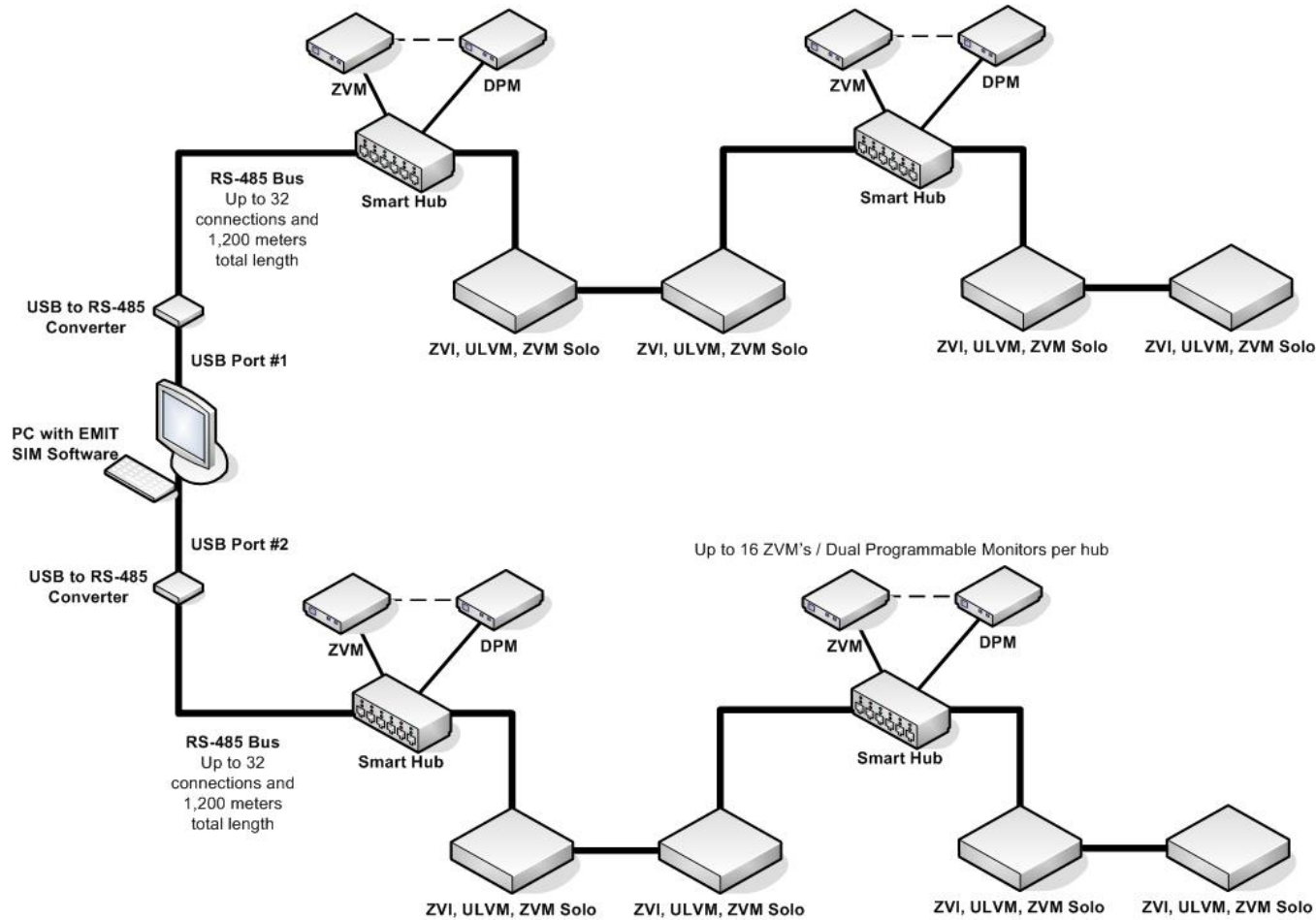
ZVI离子风机组网图示



Made by DESCO
in USA

EMIT SIM

ZVI, ZVM, DPM, ZVM Solo, ULVM混合组网图示



Made by DESCO
in USA

EMIT SIM

ZVI, ZVM, DPM, ZVM Solo, ULVM组网要求

- 整个系统只有ZVI离子风机单种类型设备,各离子风机通过菊花链形式连接。每组最多128个ZVI设备,每组最长距离1200米。
- 整个系统只有ZVM Solo接地监测器单种类型设备,各接地监测器通过菊花链形式连接。每组最多128个ZVM Solo设备,每组最长距离1200米。
- 整个系统只有ULVM接地监测器单种类型设备,各接地监测器通过菊花链形式连接连接。每组最多128个ULVM设备,每组最长距离1200米。
- ZVM或DPM接地监测器组网需采用Smart Hub。每组可通过菊花链形式连接32台Smart Hub,每组最长距离1200米。每台Smart Hub可连接16个ZVM或DPM接地监测器。
- 所有类型设备混合组网,每组可通过菊花链形式连接32个设备包括Smart Hub,每组最长距离1200米。

注意! 标准SIM软件容量为50个设备,可以按50的增幅扩充容量

注意! SIM软件为收费软件,价格视具体组网数量分摊到单个设备



Made by DESCO
in USA