



*You in Control*

**SL-2000 SERIES**  
DUCT SMOKE DETECTORS  
*Hi-Temp, Low-Flow & No-Tools*

**PRODUCT APPLICATION**

The SL-2000 Series Conventional Duct Detector is the latest innovation for early detection of smoke and products of combustion present in air moving through HVAC ducts in Commercial, Industrial, and Residential applications. The unit is designed to prevent the recirculation or spread of smoke by air handling systems, fans and blowers. Complete systems may be shut down in the event of smoke detection. The SL-2000 is designed and built to meet all local code requirements, as well as the NFPA and ICC standards regarding HVAC supply and return duct smoke detectors. Output terminals are provided for a wide range of remote accessories such as horns, strobes, remote status indicators, and test/reset key switches or push buttons.



**PRODUCT DESCRIPTION**

The SL-2000 includes many features that represent true innovations from current generation duct smoke detectors. Our traditional installer/servicer-friendly approach has been closely followed and expanded throughout the SL-2000. This philosophy provides a new level of efficiency in after-purchase value to both the installer/servicer and end-user. Our attention to detail has yielded a host of "No-Tools Required" features, as well as a multi-application performance level as yet unmatched in the industry. Innovative product combined with unsurpassed customer service equals the right combination for all of your projects. The key features below detail many of the customer-driven innovations incorporated in the SL-2000 Series.



**CSFM LISTED**

**MEA ACCEPTED**

**FEATURES**

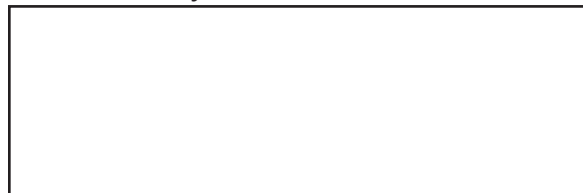
- ❖ Low-Flow Technology: Both Ionization and Photoelectric models listed for velocities between 100-4000 ft./min
- ❖ Both models listed for high-temperature applications
- ❖ Operating voltages: 230VAC, 115VAC, 24VAC, 24VDC
- ❖ Interconnect up to 30 units for common functions
- ❖ Patented "No-Tools Required" front or rear loading and removing sampling/exhaust tubes
- ❖ Patented "Test Port Valve" allows for aerosol smoke testing without cover removal
- ❖ Clear cover fitted with four captive "No-Tools Required" thumbscrews
- ❖ Instantaneous cover removal trouble indication
- ❖ Staggered terminal blocks for easier wiring
- ❖ Flashing LED on detector head indicates normal operation
- ❖ Magnet test capability (magnet included)
- ❖ More wiring space than competitive models
- ❖ Footprint allows easy retrofit in many applications without additional drilling
- ❖ Over 15 remote accessories available
- ❖ Duct wall gaskets on back of enclosure are pre-installed
- ❖ Compatible with the WVP-2000 weatherproof enclosure
- ❖ Reset switch is also an alarm test switch - competitive models require a magnet or cover removal to test at unit
- ❖ Unit includes green pilot and red alarm visual indicators
- ❖ External mounting tabs do not require cover removal to install
- ❖ Colored cover gasket indicates proper cover seal
- ❖ UL, CUL, CSFM, and MEA Listed
- ❖ Compact, lightweight size means easy handling, lower shipping costs
- ❖ Two sets of 10A form "C" alarm contacts
- ❖ One set of 2A form "A" alarm contacts
- ❖ One set of 10A form "C" trouble contacts
- ❖ Large terminal connection screws
- ❖ Standard interchangeable "plug-in" UL268 photoelectric or ionization heads
- ❖ Advanced detector head design yields internal dust filtering
- ❖ No additional screens or filters to clean
- ❖ Compatible with building automation and fire alarm systems
- ❖ Ionization and Photoelectric versions available
- ❖ Complete wiring details permanently attached to unit

**Air Products and Controls is  
a Brand of Apollo America**

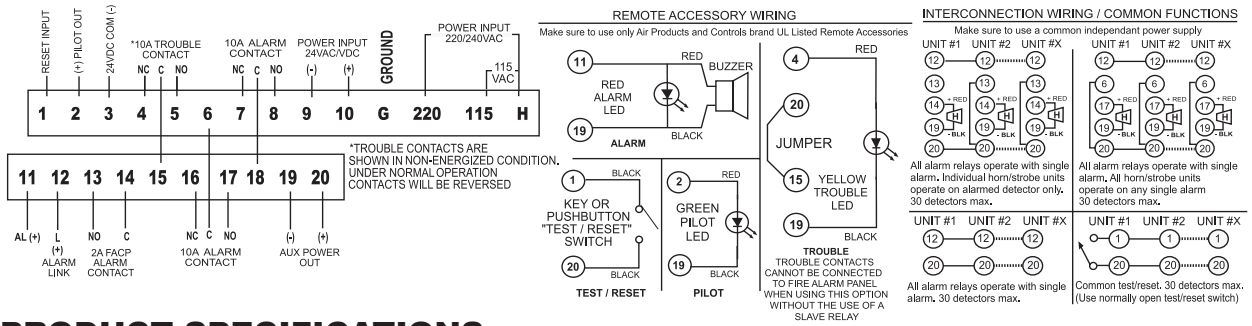
25 Corporate Drive  
Auburn Hills, MI 48326  
(248) 332-3900 Phone  
(888) 332-2241 Toll free  
(248) 332-8807 Fax  
www.ap-c.com



*Distributed By:*



# WIRING



## PRODUCT SPECIFICATIONS

MODEL NUMBER:	<b>SL-2000-N</b>	Ionization: 230VAC, 115VAC, 24VAC, 24VDC
	<b>SL-2000-P</b>	Photoelectric: 230VAC, 115VAC, 24VAC, 24VDC
DETECTOR MODEL NUMBER:	<b>SL-2000-N</b>	55000-225APO
	<b>SL-2000-P</b>	55000-328APO
SAMPLING TUBES:	<b>FAST Tube</b>	Sectional sampling tube, kit fits up to 90" duct width
	<b>STN-1.0</b>	Sampling tube for 12" or less duct width
	<b>STN-2.5</b>	Sampling tube for 6" to 2.5' duct width
	<b>STN-5.0</b>	Sampling tube for 2.5' to 5.0' duct width
	<b>STN-10.0</b>	Sampling tube for 5.0' to 10.0' duct width
ACCESSORIES:	MS- and MSR-Series remote accessories, WP-2000 weatherproof enclosure, TG-2000 aerosol test gas, and T-PB power supplies (All available from Apollo America)	
POWER REQUIREMENTS: (without accessories)	230VAC	12 mA
Standby:	115VAC	22 mA
	24VAC	55 mA
	24VDC	14 mA
Alarm:	230VAC	18 mA
	115VAC	32 mA
	24VAC	190 mA
	24VDC	68 mA
RELAY CONTACT RATING:	Alarm Contacts: Resistive load: 2 sets form "C" rated at 10 Amps @ 115VAC Resistive load: 1 set form "A" rated at 2 Amps	
	Trouble Contacts: Resistive load: 1 set form "C" rated at 10 Amps @ 115VAC	
AIR VELOCITY:	100 to 4,000 ft./min.	
AMBIENT TEMPERATURE:	<b>SL-2000-N</b>	32°F to 158°F (0°C to 70°C)
	<b>SL-2000-P</b>	32°F to 140°F (0°C to 60°C)
HUMIDITY:	85 ±5 % RH (@32 ±2°C; 86 ±3.6°F) Non-Condensing / Non-Freezing	
WIRING:	Solid or stranded: #12 to #22 AWG terminals	
APPROVALS:	UL & CUL Listed (UL268A, UROX, UROX7) File # S2829 CSFM Listed (3240-1004:105) MEA Accepted (73-92-E; VOL. 27)	
MATERIAL:	Grey plastic backbox, clear plastic cover (Makrolon 94V-0)	
DIMENSIONS:	13 1/2" L x 4 1/2" W x 2 1/4" H	
MAX. NET WT.:	2 1/2 lbs.	
RADIOACTIVE ELEMENT:	For <b>SL-2000-N</b> (Ionization) Americium 241; 0.9 Micro-Curie Do not expose to corrosive atmospheres	
HARDWARE:	7" exhaust tube, sampling tube end cap, mounting template, test magnet, and mounting hardware included	

## ENGINEERS & ARCHITECTS SPECIFICATIONS

- Air duct smoke detectors shall be Air Products and Controls SL-2000 Series. For ionization detectors the model number is **SL-2000-N**.
- For photoelectric detectors the model number is **SL-2000-P**. The detectors shall be listed by Underwriters Laboratories per UL 268A.
- The detectors shall operate at air velocities from 100 feet per minute to 4,000 feet per minute and at temperatures of no greater than 140°F (60°C).
- Visual indication of alarm and power must be provided on the detector front.
- A manual reset switch shall be located on front of the device.
- Detector head shall not require additional filters or screens which must be maintained, and shall include both a standby and alarm visual indication.
- The housing shall contain a detector base which will accept photoelectric or ionization detector heads.
- Terminal connections shall be of the screw type, a minimum of #6 screw (#12 to #22 AWG compatible). Terminals shall be provided for remote pilot, remote alarm indications, strobe/horn, and remote test/reset switch. All wiring must comply with local codes and regulations.
- A method of testing the alarm function with a magnet must be provided.
- A method of smoke testing the detector without removing the cover must be provided.
- All unit, remote accessory, and common function connection designations must be permanently affixed to the unit.
- Cover and sampling/exhaust tube installation or removal must not require the use of tools.
- Capability for interconnection of up to 30 units shall be provided for common functions.
- Sample and exhaust tubes shall be capable of removal/installation from the front and/or rear of the detector for inspection/maintenance.

**NOTICE:** The information contained in this document is intended only as a summary and is subject to change without notice. The products described have specific instructional/installation documentation, which covers various technical, approval, code, limitation and liability information. Copies of this documentation along with any general product warning and limitation documents, which also contain important information, are provided with the product and are also available from Apollo America. The information contained in all of these documents should be considered before specifying or using the products. Any example applications shown are subject to the most current enforced local/national codes, standards, approvals, certifications, and/or the authority having jurisdiction. All of these resources, as well as the specific manufacturer of any shown or mentioned related equipment, should be consulted prior to any implementation. For further information or assistance concerning the products, contact Apollo America. Apollo America reserves the right to change any and all documentation without notice.



21<sup>st</sup> February 2022

To Whom It May Concern:

**Apollo America Inc (AAI)** ←

Apollo America Inc (AAI) is a subsidiary of The Halma Group. Halma PLC is listed on the London Stock Exchange and is a global group of life-saving technology companies.

The Halma Group oversees nearly 50 businesses operating within the Medical, Environmental & Analysis, and Safety sectors in more than 20 countries, with significant operations in Europe, North America, South America, and Asia supplying customers in 160 countries and employing more than 5,800 people worldwide.

AAI designs and manufactures innovative life-safety solutions to alert building occupants in an emergency and assist first responders, offering brands such as:

- **Apollo** – providing HVAC, Life Safety, and Building Controls solutions for more than 30 years.
- **Air Products & Controls (APC)** ← provides state-of-the-art electronic products, many of which make up the individual pieces and components of essential life-saving devices. As a leading manufacturer of duct detectors for smoke and carbon monoxide, specialty controls, low voltage relays, and control relays, we're proud to deliver quality products that ensure the building occupants' safety.
- **Advanced** – providing intuitive, highly operable fire panels designed to be configured as a one-panel system or a broader network of multiple panels.

AAI's products are quietly at work in the background of your daily life. Our brands are installed and provide continuous protection to homes, offices, and commercial spaces across the globe. We strive to grow and expand our product lines' reach to secure a safer, cleaner, healthier future for the planet.

Please visit <https://aaifire.com/brands/> for more details.

Yours Sincerely,

*Hemal Shahporia*

Hemal Shahporia

Our Ref: 02-PTW/2022

**MANUFACTURE CERTIFICATE**

For: J&J Network Engineering Co., Ltd.  
Unit 707~709, 7/F No. 1 Hung To Road,  
Kwun Tong, Kowloon,  
Hong Kong

Model Number: SL-2000-P  
Photoelectric Duct Smoke Detector

Warranty Period: 3 years from date of manufacturing

Country of Origin: United States of America (USA) ←

Name of Manufacturer: Apollo America Inc

We hereby certify that the supplied consignment of the above model number has been inspected and tested and are in conformance with Apollo procedures and meet all UL requirements for which the product has been listed. This product, unless otherwise noted hereon, conform to relevant Apollo engineering-controlled drawings and specifications.

We further guarantee this part to be free from defects in material and workmanship when operated within normal ratings under our standard warranty period.

Yours Sincerely,

*Hemal Shahporia*

Hemal Shahporia

Fire Systems Design Engineer



消防處  
牌照及審批總區

香港九龍尖沙咀東部康莊道1號5樓  
消防總部大廈



FIRE SERVICES DEPARTMENT  
LICENSING AND CERTIFICATION  
COMMAND

FIRE SERVICES HEADQUARTERS BUILDING,  
No. 1 Hong Chong Road, 5/F.,  
Tsim Sha Tsui East, Kowloon,  
Hong Kong

本處檔號 Our Ref.: (11) in FS 206/0918 III

來函檔號 Your Ref.:

電訊掛號 Telex: 39607 HKFSD HX

圖文傳真 Fax: (852) 2367 3631

電子郵件 E-mail: lcpolic2@hkfsd.gov.hk

電話 Tcl. No.: 2733 7596

10 October 2002

**Application for Acceptance of Duct Smoke Detectors**

I refer to my interim reply of 30.8.2002 on the captioned subject.

Please be informed that the following fire detectors have already been accepted by this Department for use in Hong Kong. As such, further product approval is not required.

<b>Manufacturer</b>	: Air Products and Control Inc.
<b>Type</b>	: Smoke-automatic fire detectors for duct applications
<b>Models</b>	: i) SL-2000-N (Ionization type) ii) SL-2000-P (Photoelectric type)
<b>Testing Standard</b>	: UL 268A
<b>Testing Organisation</b>	: Underwriters Laboratories Inc. (UL)
<b>Supporting Document</b>	: Test Report File S2829 Project 00NK49792 issued by UL on 12.6.2001.

Please note that the above acceptance is subject to :-

- i) the installation conforming to FSD Circular Letter No. 1/2002 Rules for Fire Detection and Alarm Systems for Buildings ;

...../P.2

- ii) all conditions as stipulated in the above-mentioned test report being complied with;  
and
- iii) the components used in the installation being compatible.

Yours faithfully,



(Robert LAU)  
for Director of Fire Services

RL/cwy



# UROX.S2829 - Smoke Detectors for Fire Alarm Systems

## Smoke Detectors for Fire Alarm Systems

**APOLLO AMERICA INC**

25 CORPORATE DR  
AUBURN HILLS, MI 48326-2919 United States

S2829

**Investigated To UL 268 (7th ed.)**

Products Suitable for Ducts, D(I) and D(ST) are investigated to UL 268A

Detector	Compatibility			Velocity Range (fpm)		Date of Manufacture	Time of Manufacture	Firmware Version
				Min	Max			
Model	Application Type	Restrictions	Min	Max	Manufacture	Firmware Version	Update	
HS-100-P (d)(j)	D(I)	P	D2	0	3000	-	-	-
HS-100-P-3WTRA	D(I)	P	D2	0	3000	-	-	-
HS-100-P-4WTRA	D(I)	P	D2	0	3000	-	-	-
RW-AA-P	D(ST)	P	D2	500	4000	-	-	-
SL-2000-P, SL-2000-P-3WTRA, SL-2000-P-4WTRA (d)	D(ST)	P	None	1000	4000	-	-	-
SL-DA4R-P	D(ST)	P	D2	1000	4000	-	-	-
SL-DAA-P (d)	D(ST)	P	D2	1000	4000	-	-	-
SM-501-P (d)	D(ST)	P	None	500	4000	-	-	-

Detector	Compatibility			Velocity Range (fpm)		Pressure Differential Between Sampling Tube		Date of Manufacture	Time of Manufacture	Firmware Version
				Min	Max	Min	Max			
Model	Application Type	Restrictions	Min	Max	Min	Max	Manufacture	Firmware Version	Update	
RT-3000-P (g)(h)(i)	D(ST)	P	None	500	4000	0.01	1.8	-	-	-

Base Model	Related Detector	Control Unit Compatibility Restrictions
SA5300-800APO	-	B3
SA5300-802APO	-	B2
SA5300-805APO	-	B3
SA5300-806APO	-	B3

**Investigated To UL 268 (previous editions)**

Products Suitable for Ducts, D(I) and D(ST) are investigated to UL 268A

Detector	Compatibility			Velocity Range (fpm)		Date of Manufacture	Time of Manufacture	Firmware Version
				Min	Max			
Model	Application Type	Restrictions	Min	Max	Manufacture	Firmware Version	Update	
HS-100-N (c)(j)	D(I)	I	D2	0	3000	-	-	-
RW-2W-N, RW-DC-N	D(ST)	I	D2	500	3000	-	-	-
RW-2W-P, RW-DC-P	D(ST)	P	D2	500	3000	-	-	-
RW-AA-N	D(ST)	I	D2	500	4000	-	-	-
RW-AR-N, RW-ARL-N	D(ST)	I	D2	500	4000	-	-	-
RW-AR-P, RW-ARL-P	D(ST)	P	D2	500	4000	-	-	-
RW-UNI-N	D(ST)	I	None	500	3000	-	-	-
RW-UNI-P	D(ST)	P	None	500	3000	-	-	-
SL-2000-N (c)	D(ST)	I	None	300	4000	-	-	-
SL-D2W-N (c)	D(ST)	I	D2	300	4000	-	-	-
SL-D2W-P (d)	D(ST)	P	D2	1000	4000	-	-	-
SL-DA4R-N	D(ST)	I	D2	300	4000	-	-	-
SL-DAA-N (e)	D(ST)	I	D2	300	4000	-	-	-
SM-501-N (c)	D(ST)	I	None	500	4000	-	-	-

Detector	Compatibility			Velocity Range (fpm)		Pressure Differential Between Sampling Tube		Date of Manufacture	Time of Manufacture	Firmware Version
				Min	Max	Min	Max			
Model	Application Type	Restrictions	Min	Max	Min	Max	Manufacture	Firmware Version	Update	



<b>RT-3000-N (f)(h)(i)</b>	D(ST)	I	None	500	4000	0.01	1.8	-	-	-
----------------------------	-------	---	------	-----	------	------	-----	---	---	---

Base Model	Related Detector	Control Unit Compatibility Restrictions
<b>45681-805 and 45681-806</b>	see manufacturer's instructions	B2, B3
<b>MB-CSHF-AA, 48651-800</b>	see manufacturer's instructions	B2, B3
<b>MB-RLY-XP95</b>	see manufacturer's instructions	B2, B3
<b>MB-RLYT-AA</b>	see manufacturer's instructions	B2, B3, #1
<b>MB-RLYT-CV</b>	see manufacturer's instructions	B2, B3, #1
<b>MB-SDR-S60 (a)</b>	see manufacturer's instructions	B2, B3
<b>MB-SDR-XP95 (a)</b>	see manufacturer's instructions	B2, B3
<b>MB-SDRT-AA (a)</b>	see manufacturer's instructions	B2, B3
<b>MB-SDRT-CV (a)</b>	see manufacturer's instructions	B2, B3
<b>SB-CU-AA</b>	see manufacturer's instructions	B2, B3

B2 - For connection to Listed control units with which compatibility was determined by test or a review of circuit parameters. Interconnection and compatible models indicated on installation wiring diagram for detector (base) and/or control unit.

B3 - For connection to a Listed open area protection smoke or heat detector head with which compatibility was determined by test or a review of circuit parameters. Refer to the manufacturer's installation instructions for a list of compatible models.

D2 - For connection to Listed control units with which compatibility was determined by test or a review of circuit parameters. Interconnection and compatible models indicated on installation wiring diagram for detector (base) and/or control unit.

#1 - Open-area Protection with Releasing Service (OAP/RS): Incorporates supplementary switching contacts for additional connection to releasing devices.

D(I) - Duct Detector - Installation Inside Duct

P - Photoelectric

D(ST) - Duct Detector - Sampling Tubes

Values in parenthesis under the air velocities indicate use of an air deflector.

I - Ionization

**Date of Manufacture** identifies the manufacturing start date of all product models that will use the specific Time of Manufacture Firmware Version. The date of manufacture is noncoded and in the format YEAR (in 4 digits), MONTH (in letters), DAY (in 2 digits).

**Time of Manufacture Firmware Version** identifies a numerical and/or alphabetic series designation that is product and date-code specific and will only identify the Firmware Version at the time the product was manufactured. The numeric and/or alphabetic sequence is defined by the manufacturer.

**Firmware Version Update** is a numerical and/or alphabetic sequential identification that is product and date-code specific and sequentially identifies the Firmware Version Update from the previous version of firmware. The numerical and/or alphabetic sequence is defined by the manufacturer.

(a) - Includes integral audible signal.

(c) - Suitable for use in ambient temperatures of 0-70 C (32-158 F).

- (d) - Suitable for use in ambient temperatures of 0-60 C (32-140 F).
- (e) - Suitable for use in ambient temperatures of 0-66 C (32-150 F).
- (f) - Suitable for use in ambient temperatures of -20 to 70 C (-4 to 158 F).
- (g) - Suitable for use in ambient temperatures of -20 to 60 C (-4 to 140 F).
- (h) - Employs a Type 4X rated enclosure.
- (i) - Suitable for use in indoor and outdoor installations.
- (j) - Must be installed in conjunction with a compatible Listed (URRQ) Model MS-series or MSR-series remote indicating device manufactured by Air Products and Controls. The compatible remote indicating device shall be installed in a visible position for identification of the location of the local Alarm.

Trademark and/or Tradename: "AIR PRODUCTS AND CONTROLS"

Last Updated on 2021-08-24

---

The appearance of a company's name or product in this database does not in itself assure that products so identified have been manufactured under UL's Follow-Up Service. Only those products bearing the UL Mark should be considered to be Certified and covered under UL's Follow-Up Service. Always look for the Mark on the product.

UL permits the reproduction of the material contained in the Online Certification Directory subject to the following conditions: 1. The Guide Information, Assemblies, Constructions, Designs, Systems, and/or Certifications (files) must be presented in their entirety and in a non-misleading manner, without any manipulation of the data (or drawings). 2. The statement "Reprinted from the Online Certifications Directory with permission from UL" must appear adjacent to the extracted material. In addition, the reprinted material must include a copyright notice in the following format: "© 2022 UL LLC"

## SL-2000 Probe Type Smoke Detector - Job Reference

No.	Location	Project Name	Developer	Consultant	Completion Date
1	HK	MTRC C4420 TST Station	MTRC	MTRC	2002
2	HK	Shek Lei Estate Phase 12	Housing	PBA	2003
3	HK	Yak Fook Church	Yak Fook Church	PBA	2003
4	HK	Science Park Building 1a,1b, 4A,4B, 6	Science Park	ASD	2003
5	HK	Immigration Services Institute of Training and Development and Castle Peak Bay Immigration Centre	HK Government	ASD	2003
6	HK	EMSD Headquarter	HK Government	ASD	2003
7	HK	Police dog unit	HK Government	ASD	2003
8	HK	AIG Tower Central	AIG	AIG	2003
9	HK	KCRC LCC300 Lok Ma Chau Terminus	MTRC	KCRC	2003
10	HK	PTI at Sai Lau Kok & South Horizon	Housing Authority	Housing Authority	2003
11	HK	IC Design/Development HKSTPark		JRP	2003
12	HK	Public Mortuary at Area 26F, Kwai Chung	HK Government	EMSD	2003
13	HK	Stanley Complex at Stanley, HK	HK Government	EMSD	2003
14	HK	Civil Aid Service Headquarters and Fire Services Dept. Rescue Training Centre at Site 17, West Kowloon Reclamation, Yau Ma Tei	HK Government	EMSD	2004
15	HK	HK Police Marine Headquarter	HK Government	EMSD	2005
16	HK	Central Land Mark Re-development Hotel Project	HK Land	JRP	2005
17	HK	Mongkok Civil Services and Depot	HK Government	HK Government	2005
18	HK	Queen Elizabeth Stadium	HK Government	Thomas Anderson & Partners	2006
19	Hong Kong	Rehabilitation Block at Tuen Mun Hopsital	HK Government	ASD	2007
20	Macau	Grand Waldo Hotel in Cotal, Macau (澳門金都酒店)	Galaxy Resort	Grand Waldo	2007
21	HK	K11 & Hyatt Regency Hotel at Hanoi Rd., TST	New World	Meinhardt	2008
22	HK	HK Polytechnic University : HK Community College Development at West Kowloon 1176	HK PolyU	PBA	2008
23	HK	Central Park, TKOTL 70, Area 86, Tseung Kwan O	MTRC	Meinhardt	2008
24	Macau	Ponte 16 Casino Sofitel Hotel	STDM	Maunsell	2008
25	Hong Kong	Hotel Development at 15-17 Oil Street, North Point	Cheung Kong	Arup	2008
26	Macau	City of Dreams, Macau 澳門新濠天地	Meclo	JRP	2009
27	Macau	Galaxy Resort & Casino Hotel A 300A, Cotai City, Macau	Galaxy Resort	WSP	2009
28	HK	Ocean Park Redevelopment Project, Contract CW02, Astounding Asia	Ocean Park	Maunsell	2009
29	HK	Ocean Park Redevelopment Project, Contract CS02, Rainforest	Ocean Park	JRP	2009
30	HK	I Square, redevelopment of No.63 Nathan Road, Tsim Sha Tsui, Kowloon		Meinhardt	2010
31	HK	Swimming Pool Complex in Area 2, Tung Chung	HK Government	ASD	2010
32	Macau	澳門理工學院總部新校舍大樓連學生宿舍 Macau Polytechnic Institute New headquarters and Student Dormitory	Polytechnic	Polytechnic	2010
33	HK	Redevelopment 3 Connaught Road, Central, HK-中環建行大廈-中國建設銀行(亞洲)	中國建設銀行	WSP	2011
34	HK	Lei On Court at Lei Yu Mun	HK Government	ASD	2013
35	HK	Kellet School New Campers Development at Lot 6504 Kowloon Bay	Kellet School		2013
36	HK	HKU Canteen, 6 Sassoon Road	HK University		2013
37	HK	The OUHK Chung Hau Street Campus Development	Open University	PTME	2014
38	HK	Fo Tan Data Centre	iAdvantage		2014
39	HK	Fook Woo Factory, Tseung Kwan O	Fook Woo Factory		2014
40	HK	Hong Kong University and Sai Ying Pun MTR Station	MTRC	MTRC	2014

## SL-2000 Probe Type Smoke Detector - Job Reference

No.	Location	Project Name	Developer	Consultant	Completion Date
41	HK	TKO-HKCOLO-2/F LV room	HK COLO		2014
42	HK	HKUST-RAB	HKUST		2014
43	HK	District Open Space, Sport Centre and Library in Area 74, TKO	HK Government	ASD	2014
44	HK	SML Tower, 165 Hoi Bun Road Kwun Tong	SML		2014
45	Macau	Mandarin Oriental Hotel Macau	Mandarin Oriental Hotel Macau		2014
46	HK	Express Rail Link Contract 855	MTRC	MTRC	2014
47	HK	HKBU/9/F OEN	Hong Kong Baptist University		2014
48	HK	Yeung UK Road Municipal Services Bldg, Tsuen Wan	HK Government	ASD	2014
49	Macau	Macau Grand Waldo Renovation work	Galaxy Resort		2014
50	HK	HKSH - Phase 2 Li Shu Pui Block	Hong Kong Sanatorium Hospital		2014
51	HK	Tsuen Wan Adventist Hospital Extension, at 199 Tsuen King Circuit, Tsuen Wan	Adventist Hospital	WSP	2105
52	Macau	Macau Studio City	Melco	Meinhardt	2015
53	HK	Haeco Hangar 3	HAECO	Meinhardt	2015
54	HK	West Kowloon Law Court	HK Government	EMSD	2015
55	HK	Discovery Park Shopping Mall	HK Resort		2015
56	Macau	Venetian Hotel, Macau	Venetian Hotel		2015
57	HK	HKUST-Clean Room	HKUST		2015
58	HK	Central Police Station	HK Government	EMSD	2015
59	HK	Yau Ma Tei Police Station	HK Government	EMSD	2016
60	HK	Commercial Development at 113-115 Argyle Street, Kowloon. KIL 11028	Hang Seng	Wong & Ouyang	2016
61	HK	Queen Elizabeth Hospital	Hospital Authority	EMSD	2016
62	HK	CUHK-Seven building	Chinese University		2016
63	HK	Clean Room Renovation Works for Unit A, 4/F, HK Baptist Hospital, Fanling	Baptist Hospital		2016
64	HK	Sai Ying Pun Centre Street Market	HK Government	EMSD	2016
65	Macau	Macau Public Housing	Macau Government		2016
66	Macau	MGM Hotel, Macau	Cotai MGM		2017
67	Macau	Macau University of Science And Technology	Macau University of Science And Technology		2017
68	HK	Tsing Yi Gateway Phase 4			2017
69	HK	EMSD Ken Tong Law Courts Bldg, 10 Li Yue Mun Road	HK Government	EMSD	2017
70	HK	Yaumatei Specialist Clinic at QE Hospital	Hospital Authority	EMSD	2017
71	HK	Wanchai Bypass	HK Government	ASD	2017
72	HK	CityHall	HK Government	EMSD	2017
73	HK	Victoria's Secret Full Assortment Store at CWB Capitol Centre			2018
74	HK	CUHK-Shang Hat Fraternity Association Research Services Centre	Chinese University		2018
75	HK	Tai Tarn High School iBMS	Tai Tarn High School		2018
76	HK	Hong Kong Electric Tower	HK Electric		2018
77	HK	Hong Kong Sanatorium Hospital	Hong Kong Sanatorium Hospital		2018
78	HK	Tsing Yi ASM 1/F	ASM	Sunland	2018
79	Macau	澳門運動員培訓中心及集訓中心	Macau Government		2018
80	HK	Tuen Mun School Dental Clinic	Hospital Authority		2018

## SL-2000 Probe Type Smoke Detector - Job Reference

No.	Location	Project Name	Developer	Consultant	Completion Date
81	HK	Nan Fung Textile Mill No. 4,5,6	Nan Fung	Aurecon	2018
82	HK	Blood Transfusion at QE Hospital	Hospital Authority	EMSD	2018
83	Macau	Lisboa Palace, Macau	STDM		2019
84	HK	Hong Kong School of Motoring	Hong Kong School of Motoring		2019
85	Macau	澳門護理學院	Macau Government		2019
86	HK	Metroplaza, Kwai Fong	SHK	SHKE	2019
87	HK	Tseung Kwai O Hospital	Hospital Authority	WSP	2019
88	Macau	澳門科技大學R座	澳門科技大學		2019
89	HK	Ocean Park Water World	Ocean Park	WSP	2019
90	HK	Haven Of Hope Hospital, TKO	Haven of Hope Hospital	WSP	2019
91	HK	Liantang / Heung Yuen Wai Cross-boundary Control Point	HK Government	ASD	2020
92	HK	Prince of Wales hospital	Hospital Authority	EMSD	2020
93	HK	CUHK-5/F Mon Man Wai Building	Chinese University		2020
94	HK	Hong Kong Public Records Bldg	HK Government	EMSD	2020
95	HK	CUHK - GMP Laboratory	Chinese University		2020
96	HK	Queen Elizabeth Hospital	Hospital Authority	EMSD	2020
97	HK	Hong Kong Convention and Exhibition Centre	HKCEC		2020
98	HK	Mandarin Oriental, Hong Kong Renovation Project	HK Land		2020
99	HK	HSBC Centre Tower 1, Shum Mong Road, Taikoktsui	HSBC		2020
100	HK	HKSTP-CUHK project, Bldg 17W	Science Park		2020
101	HK	Hong Kong School of Motoring	Hong Kong School of Motoring		2021
102	HK	Stamford American School Hong Kong, Ho Man Tin	Stamford American School		2021
103	HK	HKSTP-Chinese Herbal Medicine Drug Centre at 2/F, Bldg 15W	Science Park		2021
104	HK	Princess Margaret Hospital	Hospital Authority	ASD	2021
105	HK	Victoria Shanghai Academy at 19 Shum Wan Road	Victoria Shanghai Academy		2021
106	HK	HKSTP-The School of Optometry of The HK Polytechnic University at 9/F, Bldg17W	PolyU	PTME	2021
107	HK	CUHK-University Library	Chinese University		2021