

Since 1952

**Marlin**

**TEMPERATURE INSTRUMENTATION**  
for  
**Research and Industry**

**MARLIN MANUFACTURING CORPORATION**

12404 Triskett Road Cleveland, Ohio 44111  
216 941-6200 (216-941-6207) FAX

# NOTES

温度测控领域专业解决方案  
上海浦斯拓电子科技有限公司

## THERMOCOUPLE CONNECTORS—STRIPANELS

- 2-POLE MINIATURE/FULL SIZE
  - 3-POLE MINIATURE/FULL SIZE
- SELECTOR SWITCHES  
TERMINAL HEADS/LUGS/HANDLE



Since 1952

**Marlin** MANUFACTURING CORPORATION

12404 TRISKETT ROAD CLEVELAND, OHIO 44111  
216-941-6200 (FAX 216-941-6207)

## CONNECTORS MINI PLUGS AND JACKS

ACTUAL SIZE



### MINI PLUG AND JACKS

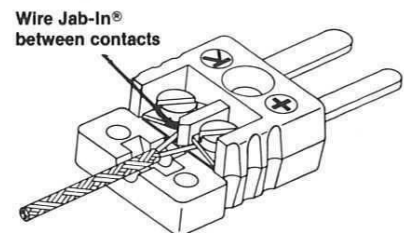
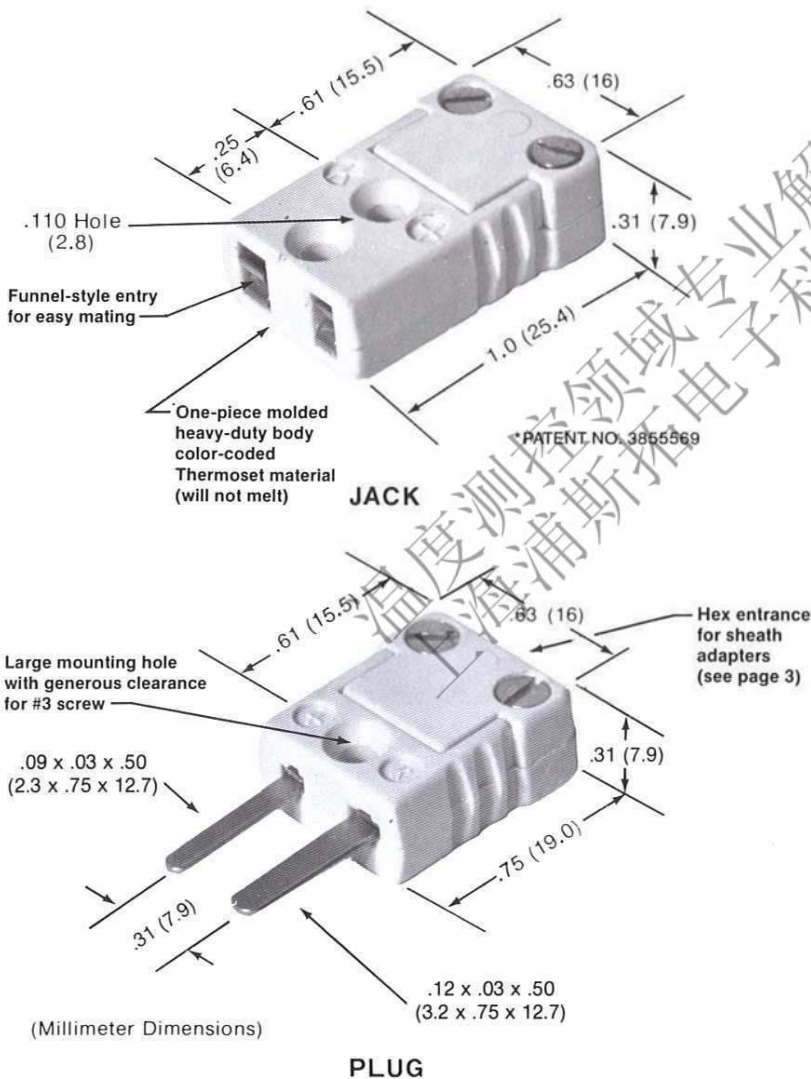
Miniature plugs and jacks provide dependable, quick connections and easy installation of fine thermocouple wire and sheath. Accepts wire from .001" diameter to 24 gauge.

Polarized pins make it virtually impossible to mismatch. Large double wipe jack inserts assure tight grip and low signal loss. Due to exclusive isolated screw design, contact is all thermocouple alloy from wire entrance to wire exit. ANSI calibration symbol and polarity symbol are molded on connector face. Surface mounting and stacking made easy by molded-in clearance holes.

Mini-connectors are molded from glass filled, high strength, thermoset compounds that will not melt. Mini-connectors are color coded and can be used in ambient temperatures to 400°F (205°C) continuous and 500°F (260°C) intermittent. Hi-Temp Mini connectors are colored red and can be used to 800°F (425°C) continuous and 1000°F (540°C) intermittent.

Exclusive Jab-In® terminals require only 1/4" of insulation removed. Wire is sandwiched between contacts of thermocouple alloy without damage. Looped wire ends are eliminated. Simple two-piece construction. Removable cap with semi-captive screws exposes terminals without loose parts falling out. Elastomer bushing provides wire strain relief. Braze-on sheath adapters are brazed or soldered to sheath. Crimp-on adapters are crimped on sheath using crimp tool. Bushings and adapters are locked into connector by cap.

For corrosive applications, gold plated contacts are available. Caution — system errors can result from use of plated contacts if significant thermal gradient exist at connector.



MANUFACTURING CORPORATION 12404 TRISKETT ROAD CLEVELAND, OHIO 44111

(216) 941-6200

FAX: (216) 941-6207

# CONNECTORS MINI PLUGS AND JACKS

| MINI PLUGS AND JACKS   |           |        | 400°F Continuous Ambient |                         |                   | 800°F Continuous Ambient |                         |                         |                   |
|------------------------|-----------|--------|--------------------------|-------------------------|-------------------|--------------------------|-------------------------|-------------------------|-------------------|
| THERMOCOUPLE TYPE      | TYPE CODE | COLOR  | PLUG CODE NO.            | JACK CODE NO.           | DISCOUNT SCHEDULE | COLOR                    | HI TEMP PLUG CODE NO.   | HI TEMP JACK CODE NO.   | DISCOUNT SCHEDULE |
| Iron Constantan        | J         | Black  | 1260-( )<br>TYPE Code →  | 1210-( )<br>TYPE Code → | A                 | Red                      | 1360-( )<br>TYPE Code → | 1310-( )<br>TYPE Code → | B                 |
| Copper Constantan      | T         | Blue   |                          |                         |                   |                          |                         |                         |                   |
| Chromel™ Alumel™       | K         | Yellow |                          |                         |                   |                          |                         |                         |                   |
| Nicrosil Nisil         | N         | Orange |                          |                         |                   |                          |                         |                         |                   |
| Chromel™ Constantan    | E         | Violet |                          |                         |                   |                          |                         |                         |                   |
| Platinum 10% Rhodium   | S         | Green  |                          |                         |                   |                          |                         |                         |                   |
| Platinum 13% Rhodium   | R         | Green  |                          |                         |                   |                          |                         |                         |                   |
| Uncompensated (CU)     | U         | White  |                          |                         |                   |                          |                         |                         |                   |
| Tungsten 5% Re/W26% Re | C         | Brown  |                          |                         |                   | B                        |                         |                         |                   |

1.) Gold plated contacts are available at \$1.00 added to list price. Use suffix "G" (i.e. 1260-K-G)

| Grommet Wire Grip |       |         |                   |
|-------------------|-------|---------|-------------------|
| Code No.          | Size  | \$/Each | Discount Schedule |
| 1279-030          | .030" |         | A                 |
| 1279-062          | .062" |         |                   |
| 1279-090          | .090" |         |                   |

Option 1: Grommet is furnished with each connector at no cost. Give part number of desired size otherwise 1279-062 is furnished as the standard package.

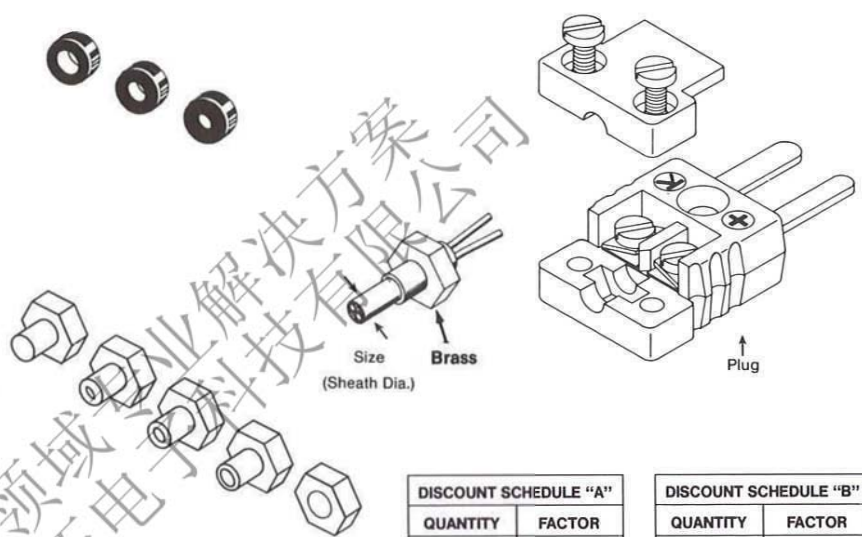
| Mini Braze-on Adapter |       |         |                   |
|-----------------------|-------|---------|-------------------|
| Code No.              | Size  | \$/Each | Discount Schedule |
| 1277-000              | blank |         | A                 |
| 1277-040              | .040" |         |                   |
| 1277-062              | .062" |         |                   |
| 1277-090              | .090" |         |                   |
| 1277-125              | .125" |         |                   |

Option 2: Braze-on Adapter is furnished with each connector at no cost instead of grommets specified. Give part number of desired size.

| Mini Hex Crimp Adapter |       |         |                   |
|------------------------|-------|---------|-------------------|
| Code No.               | Size  | \$/Each | Discount Schedule |
| 1275-000               | blank |         | A                 |
| 1275-020               | .020" |         |                   |
| 1275-040               | .040" |         |                   |
| 1275-062               | .062" |         |                   |

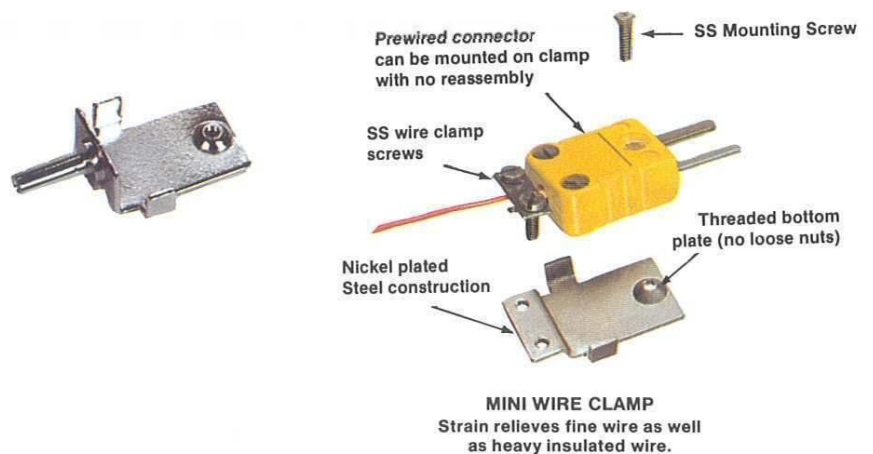
| Mini 2-Pole Crimp Adapter |       |         |                   |
|---------------------------|-------|---------|-------------------|
| Code No.                  | Size  | \$/Each | Discount Schedule |
| 1274-040                  | .040" |         | B                 |
| 1274-062                  | .062" |         |                   |
| 1274-125                  | .125" |         |                   |

| Mini Wire Clamp |         |                   |
|-----------------|---------|-------------------|
| Code No.        | \$/Each | Discount Schedule |
| 1280            |         | B                 |



| DISCOUNT SCHEDULE "A" |        |
|-----------------------|--------|
| QUANTITY              | FACTOR |
| 1-14                  |        |
| 15-49                 |        |
| 50-99                 |        |
| 100-249               |        |
| 250-499               |        |
| 500-999               |        |
| 1000-1999             |        |
| 2000+                 |        |

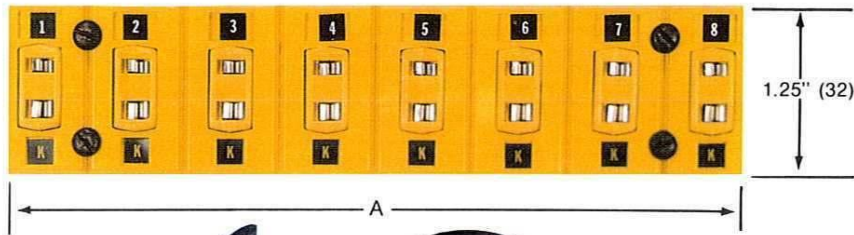
| DISCOUNT SCHEDULE "B" |        |
|-----------------------|--------|
| QUANTITY              | FACTOR |
| 1-14                  |        |
| 15-49                 |        |
| 50-99                 |        |
| 100-249               |        |
| 250+                  |        |



MANUFACTURING CORPORATION 12404 TRISKETT ROAD CLEVELAND, OHIO 44111 FAX: (216) 941-6207

(216) 941-6200

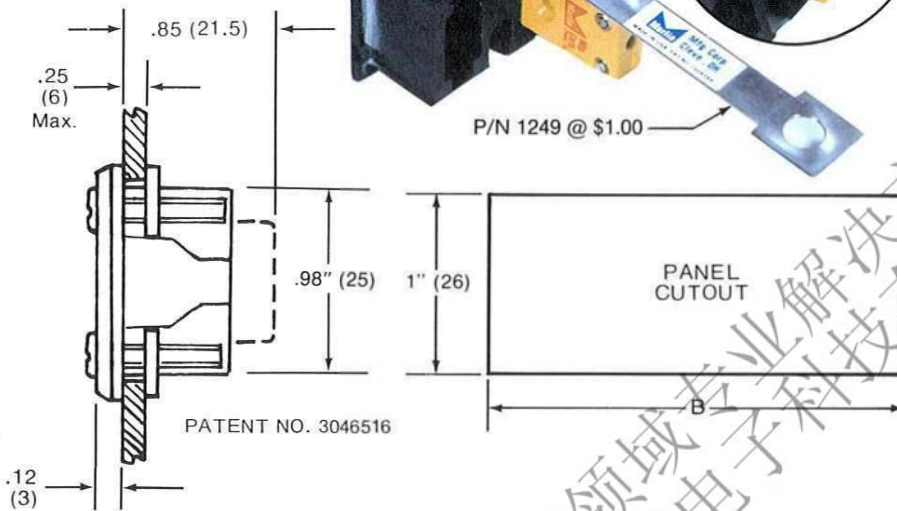
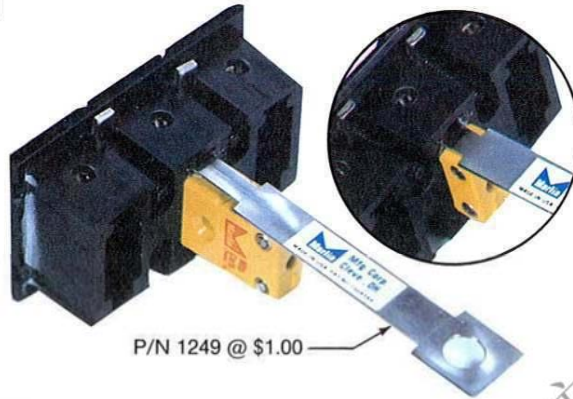
# CONNECTORS MINI STRIPANEL®



To remove connector from panel insert release key in slot above connector.

Slide out connector.

To install simply push connector into panel until spring locks.



No. 1237 Miniature Stripanels are molded panels designed to mount No. 1210 miniature Jacks. Connectors are installed from the rear and snap in place with spring clips. They are easily removed by releasing spring clip with a release key. No loose connector mounting hardware. Circuit identification is distinct as each circuit is numbered, lettered and color coded to ANSI standards. Self contained hardware provides front mounting in panels to 1/4" thick. Stripanel is molded of color coded thermoset compound that withstands ambient temperatures to 400°F (205°C) continuous and 500°F (260°C) intermittent. High temperature panels that will withstand ambient temperatures to 800°F (425°C) continuous and 1000°F (540°C) intermittent are molded of a red thermoset compound.

For corrosive application, gold plated contacts are available. Caution — system errors can result from use of plated contacts if significant thermal gradients exist at connection.

Available in modules from 2 circuits to 8 circuits. Standard strip panels are provided with Mini Jacks for horizontal mounting, as shown.

### TO ORDER:

1. Give Stripanel No.  $\xrightarrow{\quad}$   
1237 - 6 - J
2. Specify Number of circuits  $\xrightarrow{\quad}$
3. Specify Thermocouple Type  $\xrightarrow{\quad}$
4. For Hi-Temp Stripanel: 1337 - 6 - J
5. For vertical rows add suffix "V"  
e.g. 1237 - 6 - J - V

| NUMBER OF CIRCUITS | "A" DIMENSION<br>PANEL OAL | "B" DIMENSION<br>CUTOUT LENGTH |
|--------------------|----------------------------|--------------------------------|
| 2                  | 1.38" 32mm                 | 1.25" 32mm                     |
| 3                  | 2.06" 52mm                 | 1.94" 50mm                     |
| 4                  | 2.75" 70mm                 | 2.63" 67mm                     |
| 5                  | 3.44" 87mm                 | 3.31" 84mm                     |
| 6                  | 4.13" 105mm                | 4.00" 102mm                    |
| 7                  | 4.81" 122mm                | 4.69" 120mm                    |
| 8                  | 5.50" 140mm                | 5.38" 137mm                    |

| MINI STRIPANEL (400°F Continuous Ambient) |                     |                |                   |
|---|---------------------|----------------|-------------------|
| No. of Circuits                           | Mini Panel Part No. | Price \$/Panel | Discount Schedule |
| 2   | 1237-2-*            |                |                   |
| 3   | 1237-3-*            |                |                   |
| 4   | 1237-4-*            |                |                   |
| 5   | 1237-5-*            |                | A                 |
| 6   | 1237-6-*            |                |                   |
| 7   | 1237-7-*            |                |                   |
| 8   | 1237-8-*            |                |                   |

| MINI STRIPANEL (800°F Continuous Ambient) |                             |                |                   |
|---|-----------------------------|----------------|-------------------|
| No. of Circuits                           | Hi-Temp Mini Panel Part No. | Price \$/Panel | Discount Schedule |
| 2   | 1337-2-*                    |                |                   |
| 3   | 1337-3-*                    |                |                   |
| 4   | 1337-4-*                    |                |                   |
| 5   | 1337-5-*                    |                | B                 |
| 6   | 1337-6-*                    |                |                   |
| 7   | 1337-7-*                    |                |                   |
| 8   | 1337-8-*                    |                |                   |

\*Thermocouple Type Code: J, K, T, N, E, R, S, U  
1.) For "Type C" add \$1.00/Circuit. Use discount schedule "B"  
2.) Gold plated contacts add \$1.00 to list and use suffix "G" (i.e. 1237-2-K-G)



MANUFACTURING CORPORATION 12404 TRISKETT ROAD CLEVELAND, OHIO 44111 (216) 941-6200 FAX: (216) 941-6200

# CONNECTORS MINI STRIPANEL® WITH MOUNTING FRAME

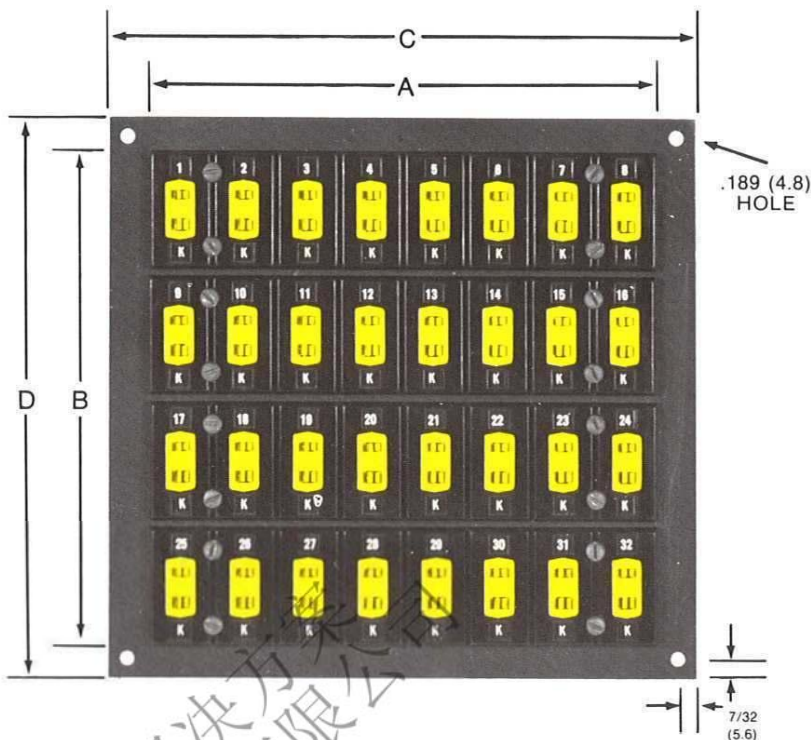
Mini Stripanel with mounting frame is a pre-assembled unit, ready for quick installation. Stripanel modules are mounted to a metal frame (3/32" thick). Each circuit is numbered, color coded and lettered with type code. (Hi-Temp Panels are color coded red.)

Available in any combination of rows and circuits per row. Standard sizes shown to table below. Standard Stripanels are provided with jacks loose packed for plug-in installation after wire hook-up. Horizontal mounting shown.

Stripanels with vertical mounting, mixed calibration or plugs instead of jacks are available upon request.

To order:

1. Give Code No. → 1238 - 4 X 10 - 40 - K
2. Specify no. of horizontal rows
3. Specify no. of circuits per row
4. Give total number of circuits
5. Give ANSI Thermocouple Code
6. For vertical rows use suffix "V"  
e.g. 1238 - 4 X 10 - 40 - K - V



| NUMBER OF ROWS       | NUMBER OF CIRCUITS PER ROW |                    |                  |                    |                   |                     |                   |                   |                   |                    |                   |                     |                    |                     |                    |  | D                   | B | PRICE 1238- | HI-TEMP PRICE 1338- |
|----------------------|----------------------------|--------------------|------------------|--------------------|-------------------|---------------------|-------------------|-------------------|-------------------|--------------------|-------------------|---------------------|--------------------|---------------------|--------------------|--|---------------------|---|-------------|---------------------|
|                      | 2                          | 3                  | 4                | 5                  | 6                 | 7                   | 8                 | 9                 | 10                | 11                 | 12                | 13                  | 14                 | 15                  | 16                 | FRAME HEIGHT                                 | CUTOUT HEIGHT       |   |             |                     |
| 1                    | 2                          | 3                  | 4                | 5                  | 6                 | 7                   | 8                 | 9                 | 10                | 11                 | 12                | 13                  | 14                 | 15                  | 16                 | 2"<br>(51mm)                                 | 1 3/8"<br>(35mm)    |   |             |                     |
| 2                    | 4                          | 6                  | 8                | 10                 | 12                | 14                  | 16                | 18                | 20                | 22                 | 24                | 26                  | 28                 | 30                  | 32                 | 3 5/16"<br>(89mm)                            | 2 11/16"<br>(69mm)  |   |             |                     |
| 3                    | 6                          | 9                  | 12               | 15                 | 18                | 21                  | 24                | 27                | 30                | 33                 | 36                | 39                  | 42                 | 45                  | 48                 | 4 5/8"<br>(118mm)                            | 4"<br>(102mm)       |   |             |                     |
| 4                    | 8                          | 12                 | 16               | 20                 | 24                | 28                  | 32                | 36                | 40                | 44                 | 48                | 52                  | 56                 | 60                  | 64                 | 5 15/16"<br>(151mm)                          | 5 5/16"<br>(135mm)  |   |             |                     |
| 5                    | 10                         | 15                 | 20               | 25                 | 30                | 35                  | 40                | 45                | 50                | 55                 | 60                | 65                  | 70                 | 75                  | 80                 | 7 1/4"<br>(185mm)                            | 6 5/8"<br>(169mm)   |   |             |                     |
| 6                    | 12                         | 18                 | 24               | 30                 | 36                | 42                  | 48                | 54                | 60                | 66                 | 72                | 78                  | 84                 | 90                  | 96                 | 8 9/16"<br>(218mm)                           | 7 15/16"<br>(202mm) |   |             |                     |
| 7                    | 14                         | 21                 | 28               | 35                 | 42                | 49                  | 56                | 63                | 70                | 77                 | 84                | 91                  | 98                 | 105                 | 112                | 9 7/8"<br>(251mm)                            | 9 1/4"<br>(235mm)   |   |             |                     |
| 8                    | 16                         | 24                 | 32               | 40                 | 48                | 56                  | 64                | 72                | 80                | 88                 | 96                | 104                 | 112                | 120                 | 128                | 11 3/16"<br>(285mm)                          | 10 9/16"<br>(269mm) |   |             |                     |
| 9                    | 18                         | 27                 | 36               | 45                 | 54                | 63                  | 72                | 81                | 90                | 99                 | 108               | 117                 | 126                | 135                 | 144                | 12 1/2"<br>(318mm)                           | 11 7/8"<br>(302mm)  |   |             |                     |
| 10                   | 20                         | 30                 | 40               | 50                 | 60                | 70                  | 80                | 90                | 100               | 110                | 120               | 130                 | 140                | 150                 | 160                | 13 13/16"<br>(351mm)                         | 13 3/16"<br>(335mm) |   |             |                     |
| C<br>FRAME<br>WIDTH  | 2 1/4"<br>(58mm)           | 2 15/16"<br>(75mm) | 3 5/8"<br>(92mm) | 4 5/16"<br>(110mm) | 5"<br>(127mm)     | 5 11/16"<br>(145mm) | 6 3/8"<br>(162mm) | 7 1/8"<br>(180mm) | 7 3/4"<br>(197mm) | 8 7/16"<br>(215mm) | 9 1/8"<br>(232mm) | 9 13/16"<br>(250mm) | 10 1/2"<br>(267mm) | 11 3/16"<br>(285mm) | 11 7/8"<br>(302mm) | Other arrangements available—Consult Factory |                     |   |             |                     |
| A<br>CUTOUT<br>WIDTH | 1 3/8"<br>(35mm)           | 2 1/16"<br>(53mm)  | 2 3/4"<br>(70mm) | 3 7/16"<br>(88mm)  | 4 1/8"<br>(105mm) | 4 13/16"<br>(123mm) | 5 1/4"<br>(140mm) | 6 3/8"<br>(158mm) | 6 7/8"<br>(175mm) | 7 9/16"<br>(192mm) | 8 1/4"<br>(210mm) | 8 15/16"<br>(227mm) | 9 5/8"<br>(245mm)  | 10 5/16"<br>(262mm) | 11"<br>(280mm)     |  |                     |   |             |                     |

1. Hi-temp panels available.  
e.g. 1338-4 x 10-40-K  
(Hi-Temp Panels and connectors are color coded red.)
2. Availability: J,K,T,N,E,R,S,U; also "C" EXCEPT ADD \$1.00 to circuit price with maximum .75 discount factor for regular or hi-temp.
3. Gold plated contacts are available at \$1.00 per circuit. Add to list price. Use suffix "G" (i.e. 1338-4x10-40-K-G)

| DISCOUNT SCHEDULE "A" |        |
|-----------------------|--------|
| QUANTITY              | FACTOR |
| 1-14                  |        |
| 15-49                 |        |
| 50-99                 |        |
| 100-249               |        |
| 250-499               |        |
| 500-999               |        |
| 1000-1999             |        |
| 2000+                 |        |

| DISCOUNT SCHEDULE "B" |        |
|-----------------------|--------|
| QUANTITY              | FACTOR |
| 1-14                  |        |
| 15-49                 |        |
| 50-99                 |        |
| 100-249               |        |
| 250+                  |        |

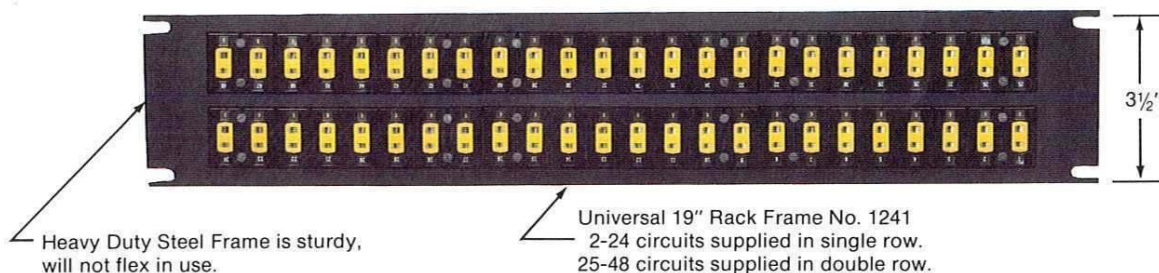


MANUFACTURING CORPORATION 12404 TRISKETT ROAD CLEVELAND, OHIO 44111

(216) 941-6200  
FAX: (216) 941-6207

## CONNECTORS

### 19" RACK - MOUNTED MINI STRIPANEL® 2-POLE



- Universal 19" Racks accept 2 to 48 Circuits of No. 1237 Mini Strippanels. Up to 24 circuits in a single row or up to 48 in a double row may be supplied.
- Circuits can be added in the field without changing frame.
- Thermocouple types can be mixed within panel with each type color coded.
- 19" Rack Frame is made of sturdy 10 ga. steel that will not flex in use. Standard frame is flat black. High-Temp frame is bright silver finish.
- Thermocouple type and circuit numbers are marked on face of Strippanel. Strippanels are numbered starting from "1" unless specified otherwise.
- Strippanels are molded of glass filled thermoset compounds (will not melt) for high strength and dependability. The color coded panels will withstand ambient temperatures to 400° F (205° C) continuous and 500° F (260° C) intermittent. High-temperature panels (All Hi-Temp panels are color coded red) will withstand ambient temperatures to 800° F (425° C) continuous and 1000° F (540° C) intermittent.
- Inserts are spring loaded to assure positive contact with the negative insert larger to make it virtually impossible to mismatch.
- For corrosive applications, gold plated inserts are available. Caution — system errors can result from use of plated contacts if significant thermal gradients exist at connector.

#### TO ORDER:

1. Give Code No. 1241 - 48 - K
2. Specify number of circuits ↑
3. Designate Thermocouple Type by Code ↑
4. For Hi-Temp Strippanel: 1341 - 48 - K

#### Price:

Standard 1241 Frame & Strippanel  
1241 Std. Frame @ \$50.  
Std. Circuits @ \$5.00/circuit  
Discount Schedule "A" applies  
Hi-Temp Frame & Strippanel  
1341 Hi-Temp Frame @ \$60.  
Hi-Temp Circuits @ \$8.00/circuit  
Discount Schedule "B" applies

#### Example:

|                                    |              |
|------------------------------------|--------------|
| 1241-48 Frame                      | \$50         |
| (48) Std. Circuits @ \$5.00        | 240          |
| <b>Total Price (1241 - 48 - K)</b> | <b>\$290</b> |

| CALIB. MARK | INSERT MAT'L. ALLOY |            | COLOR CODE | HI-TEMP COLOR CODE |
|-------------|---------------------|------------|------------|--------------------|
|             | POSITIVE            | NEGATIVE   |            |                    |
| J           | IRON                | CONSTANTAN | BLACK      | RED                |
| T           | COPPER              | CONSTANTAN | BLUE       |                    |
| K           | CHROMEL™            | ALUMEL™    | YELLOW     |                    |
| N           | NICROSIL            | NISIL      | ORANGE     |                    |
| R           | COPPER              | #11 ALLOY  | GREEN      |                    |
| S           | COPPER              | #11 ALLOY  | GREEN      |                    |
| E           | CHROMEL™            | CONSTANTAN | VIOLET     |                    |
| U           | COPPER              | COPPER     | WHITE      |                    |
| C*          | #405 ALLOY          | #426 ALLOY | BROWN      |                    |

\*For type "C" add \$1.50 per circuit to list price and discount schedule "B" applies for regular or hi-temp.

Gold plated inserts are available at \$1.00 per circuit. Add to list price. Use suffix "G" (i.e. 1241-48-K-G)

| DISCOUNT SCHEDULE "A" |        |
|-----------------------|--------|
| QUANTITY              | FACTOR |
| 1-14                  |        |
| 15-49                 |        |
| 50-99                 |        |
| 100-249               |        |
| 250-499               |        |
| 500-999               |        |
| 1000-1999             |        |
| 2000+                 |        |

| DISCOUNT SCHEDULE "B" |        |
|-----------------------|--------|
| QUANTITY              | FACTOR |
| 1-14                  |        |
| 15-49                 |        |
| 50-99                 |        |
| 100-249               |        |
| 250+                  |        |



MANUFACTURING CORPORATION 12404 TRISKETT ROAD CLEVELAND, OHIO 44111

(216) 941-6200

FAX: (216) 941-6207



## CONNECTORS MINI RSC & CONDUIT PANEL



### MINI RSC PANEL JACK

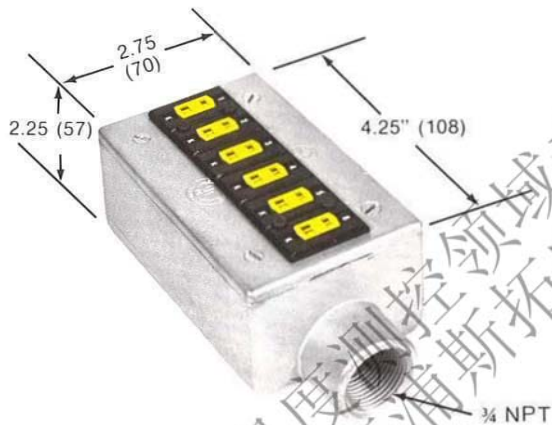
Mini round single circuit (RSC) module is assembled in bracket, for direct mounting in standard 1/2" electrical box knockout. Self-contained hardware provides front mounting in panels to 1/4" thick. ANSI calibration symbol and color code easily visible from the front. Adaptor available for 3/4" knockout.

| DESCRIPTION                     | CODE NO. | PRICE | DISC. SCHED. |
|---------------------------------|----------|-------|--------------|
| Mini RSC Panel                  | 1231-*   |       | B            |
| Adapter Plate for 3/4" knockout | APD-34   |       |              |

\*with Adapter Plate back side of mounting must be accessible.

When ordering, specify part number, adding ANSI calibration code \* as a suffix.

| MINI RSC MOUNTING HARDWARE<br>(if ordered separately) |      | DISCOUNT SCHEDULE |
|---|------|-------------------|
| Mini RSC Hardware                                     | 1295 | B                 |



### MINI PANEL IN CONDUIT BOX

Mini Strippanel modules are mounted in conduit box, cast aluminum construction. Circuits are color coded, numbered and lettered with ANSI calibration code. Available with 2 thru 6 circuits. Standard panels are provided with Mini Jacks.

| NUMBER OF CIRCUITS | CODE NO. | PRICE | DISCOUNT SCHEDULE |
|--------------------|----------|-------|-------------------|
| 2                  | 1239-2-* |       | B                 |
| 3                  | 1239-3-* |       |                   |
| 4                  | 1239-4-* |       |                   |
| 5                  | 1239-5-* |       |                   |
| 6                  | 1239-6-* |       |                   |

When ordering, specify part number, adding ANSI calibration code \* as a suffix.

### STANDARD TO MINI ADAPTER

Provides a reliable connection between a standard two pole plug and a mini jack. Available in J or K only.

| DESCRIPTION              | CODE NO.         | PRICE | DISC. SCHED. |
|--------------------------|------------------|-------|--------------|
| STANDARD TO MINI ADAPTER | 1044-J<br>1044-K |       | B            |



## CONNECTORS MINI CRIMPING TOOL, MISC. ACCESSORIES

Adapter Crimping Tools provide fast and easy installation of Plugs and Jacks to metal sheathed thermocouple wire. The hand held tool crimps the brass adapter for miniature connectors onto the metal sheath and eliminates the need to braze or solder. The tool is engineered to insure a positive crimp. Jaws cannot be reopened until the full crimp stroke has been made.

To install, strip sheath from cable to expose wires. Place crimp-on sheath adapter over sheath, hex end toward stripped wires. Position tool jaws over adapter and crimp.

| DISCOUNT SCHEDULE "A" |        |
|-----------------------|--------|
| QUANTITY              | FACTOR |
| 1-14                  |        |
| 15-49                 |        |
| 50-99                 |        |
| 100-249               |        |
| 250-499               |        |
| 500-999               |        |
| 1000-1999             |        |
| 2000+                 |        |

| DESCRIPTION        | CODE NO. | *PRICE |
|--------------------|----------|--------|
| Hand-Crimping Tool | 1251     |        |

\*No Discounts

### MINI HEX CRIMP-ON ADAPTERS

| SHEATH OD | CODE NO.   | PRICE | DISC. SCHED. |
|-----------|------------|-------|--------------|
| Blank     | 1275-Blank |       |              |
| .020"     | 1275-020   |       | A            |
| .040"     | 1275-040   |       |              |
| 1/16      | 1275-062   |       |              |

| DESCRIPTION                 | CODE NO. | PRICE | DISC. SCHED. |
|-----------------------------|----------|-------|--------------|
| Elastomer Grommet Wire grip | 1279     |       | A            |

### MINI WATER SEAL BOOTS

| DESCRIPTION               | CODE NO. | PRICE | DISC. SCHED. |
|---------------------------|----------|-------|--------------|
| Miniature Water Seal Boot | 1291     |       | A            |

Two Required for Connector Pair.

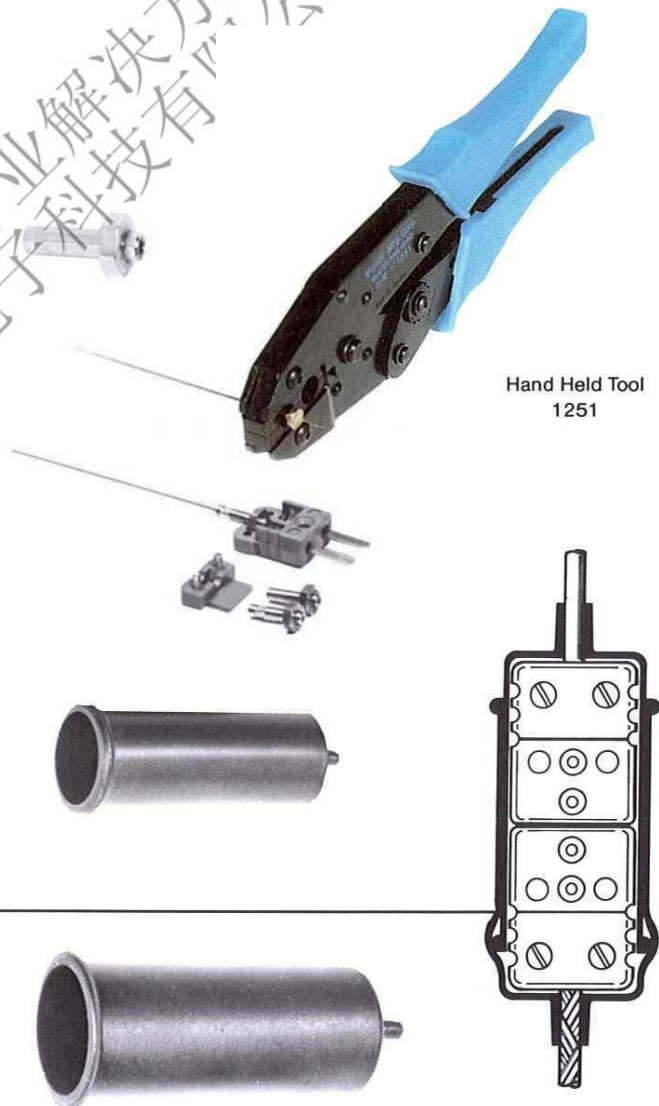
For use to 212°F (100°C), stiffens at -37°F (-35°C).

### FULL SIZE WATER SEAL BOOTS

| DESCRIPTION              | CODE NO. | PRICE | DISC. SCHED. |
|--------------------------|----------|-------|--------------|
| Standard Water Seal Boot | 1091     |       | A            |

Two Required for Connector Pair.

Neoprene for use to 212°F (100°C), stiffens at -37°F (-35°C)



Hand Held Tool  
1251



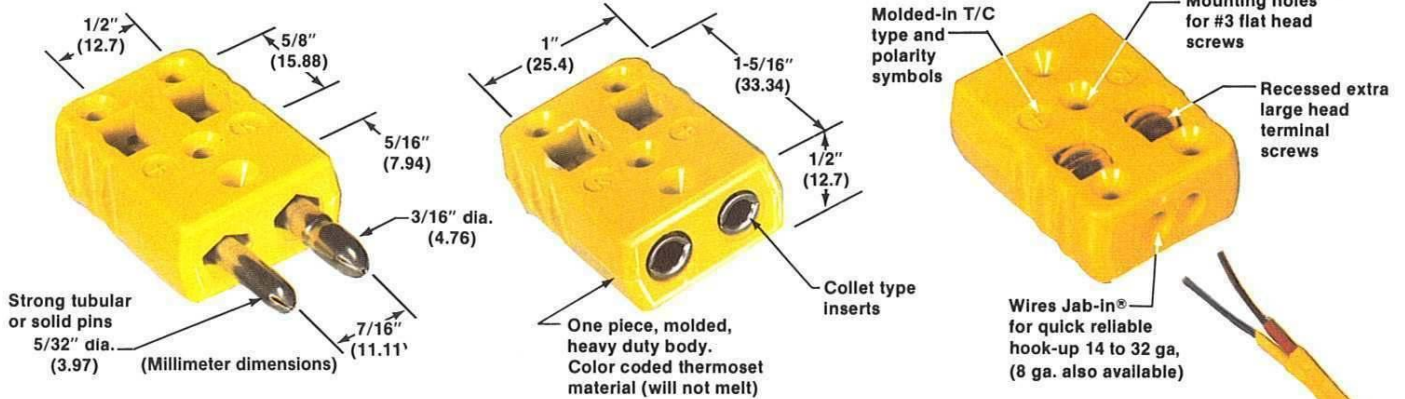
MANUFACTURING CORPORATION 12404 TRISKETT ROAD CLEVELAND, OHIO 44111

(216) 941-6200

FAX: (216) 941-6207

# CONNECTORS FULL SIZE — 2-POLE — JAB-IN®

## THE ORIGINAL JAB-IN® CONNECTOR



| FULL SIZE 2-POLE JAB-IN® |            |                |              |
|--------------------------|------------|----------------|--------------|
| CODE NO.                 | PRICE EACH | DESCRIPTION    | DISC. SCHED. |
| 1064 - *                 |            | Jab-in® Plug   | A            |
| 1054 - †                 |            | Solid Pin Plug |              |
| 1014 - *                 |            | Jab-in® Jack   |              |

| FULL SIZE HIGH-TEMPERATURE JAB-IN® |            |                   |              |
|------------------------------------|------------|-------------------|--------------|
| CODE NO.                           | PRICE EACH | DESCRIPTION       | DISC. SCHED. |
| 1164 - *                           |            | HT Jab-in® Plug   | B            |
| 1154 - †                           |            | HT Solid Pin Plug |              |
| 1114 - *                           |            | HT Jab-in® Jack   |              |

\* - Tubular Pin Availability: J,K,T,N,E,R,S,U also "C" EXCEPT ADD \$1.50 to price of plug or jack with maximum .75 discount factor for regular or hi-temp.  
 † - Solid Pin Availability: J,K,T,E,R,S,U.

1 - For connectors that will accept 8 ga. add suffix "8" e.g. 1064-K-8 (8 ga. units will not accept smaller ga.; not avail. in solid pin or Hi-Temp.) add \$1.00 to list price.

### ONE-PIECE CONSTRUCTION

- Molded completely in one piece, Jab-In® connectors eliminate terminal cap and fasteners. There are no loose parts to fumble or lose.
- Twin molded-in channels allow user to jab in wires for quick, reliable hook-up. Wires can be installed or removed in seconds.
- Prongs and inserts are permanently mounted; provide dependable screw connection to extension wires.

### RECESSED TERMINAL SCREWS

- Terminal screws are exposed for fastest, easiest access to connections. Deeply recessed in terminal body, screws are out of the way and protected from mechanical damage.
- Large head brass screws hold connections tight on stranded or solid wire without damaging the wire, exclusive jab-In® construction eliminates the need to turn down ends.
- Accommodate wire sizes from 14 gauge stranded to 32 gauge inclusive. 8 ga. also available see note 1.
- Alloys of prongs and inserts match ANSI calibrations to maintain sensing accuracy. Alloy and polarity are identified by symbols molded into body.

- Connector bodies molded of glass filled thermoset compounds (will not melt) for high strength and dependability. The color coded connectors will withstand ambient temperatures to 400°F (205°C) continuous and 500°F (260°C) intermittent. High-Temperature (All Hi-Temp are color coded red) will withstand ambient temperatures to 800°F (425°C) continuous and 1000°F (540°C) intermittent.
- Inserts are spring loaded collet type to assure positive full contact with the negative insert larger making it virtually impossible to mismatch.

| TYPE CODE                | INSERT MAT'L. ALLOY |            | COLOR CODE |
|--------------------------|---------------------|------------|------------|
|                          | POSITIVE            | NEGATIVE   |            |
| J                        | IRON                | CONSTANTAN | BLACK      |
| T                        | COPPER              | CONSTANTAN | BLUE       |
| K                        | CHROMEL™            | ALUMEL™    | YELLOW     |
| N                        | NICROSIL            | NISIL      | ORANGE     |
| R                        | COPPER              | #11 ALLOY  | GREEN      |
| S                        | COPPER              | #11 ALLOY  | GREEN      |
| E                        | CHROMEL™            | CONSTANTAN | VIOLET     |
| U                        | COPPER              | COPPER     | WHITE      |
| C                        | #405 ALLOY          | #426 ALLOY | BROWN      |
| (ALL HI-TEMP CONNECTORS) |                     |            | RED        |

### MOUNTING HARDWARE

All screws mount from top into threaded bottom plate (no loose nuts)

Nickel plated steel construction compression type fitting

For cable to 3/8" dia.

Strain relief for insulated wires

COMPRESSION ADAPTER (metal sheathed T/C to Jab-In®)

COMPRESSION ADAPTER-DUAL (metal sheathed dual T/C to Jab-In®)

CABLE CLAMP

WIRE CLAMP

| CODE NO. | PRICE |
|----------|-------|
| 1072-*   |       |

| CODE NO. | PRICE |
|----------|-------|
| 1071-*   |       |

| CODE NO. | PRICE |
|----------|-------|
| 1082     |       |

| CODE NO. | PRICE |
|----------|-------|
| 1086     |       |

| DISC. SCHED. |
|--------------|
| B            |

Specify Size: Blank, .040", .062", .125", .187", .250", .312", .375"  
 \*Code: 000, 040, 062, 125, 187, 250, 312, 375

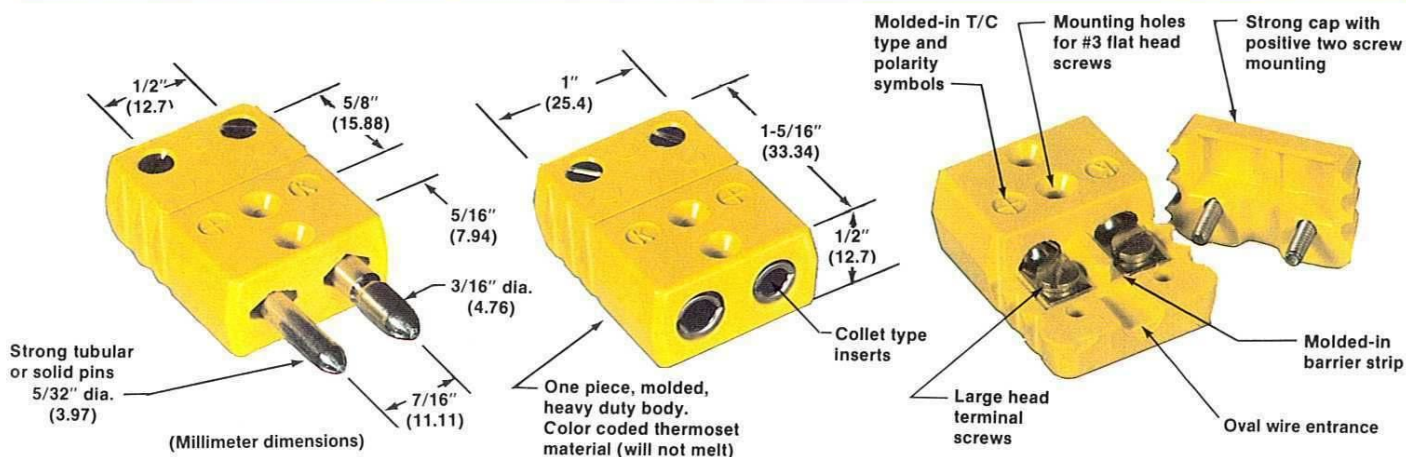


MANUFACTURING CORPORATION 12404 TRISKETT ROAD CLEVELAND, OHIO 44111

(216) 941-6200

FAX: (216) 941-6207

# CONNECTORS FULL SIZE — 2-POLE



| FULL SIZE 2-POLE |            |                |              |
|------------------|------------|----------------|--------------|
| CODE NO.         | PRICE EACH | DESCRIPTION    | DISC. SCHED. |
| 1060 - *         |            | Plug           | A            |
| 1050 - †         |            | Solid Pin Plug |              |
| 1010 - *         |            | Jack           |              |

| FULL SIZE HIGH-TEMPERATURE 2-POLE |           |                |            |            |
|-----------------------------------|-----------|----------------|------------|------------|
| CODE NO.                          | PRICE EA. | DESCRIPTION    | COLOR CODE | DISC. SCH. |
| 1160 - *                          |           | Hi-Temp Plug   | RED        | B          |
| 1150 - †                          |           | Solid Pin Plug |            |            |
| 1110 - *                          |           | Hi-Temp Jack   |            |            |

- 2-Pole Connector plugs and jacks are made to exacting specifications to provide rapid, dependable connections between thermocouples and extension wires.
- Alloys of prongs and inserts match ANSI calibrations to maintain sensing accuracy. Alloy and polarity are identified by symbols molded into body.
- Connector bodies molded of glass filled thermoset compounds (will not melt) for high strength and dependability. The color coded Connectors will withstand ambient temperatures to 400°F (205°C) continuous and 500°F (260°C) intermittent. High-Temperature Connectors (All Hi-Temp Connectors are color coded red) will withstand ambient temperatures to 800°F (425°C) continuous and 1000°F (540°C) intermittent.
- Inserts are spring loaded collet type to assure positive full contact with the negative insert larger making it virtually impossible to mismatch.
- For corrosive applications, gold or nickel plated prongs and inserts are available. Caution — system errors can result from use of plated contacts if significant thermal gradients exist at connector.

\* - Tubular Pin Availability: J,K,T,N,E,R,S,U, also "C" EXCEPT ADD \$1.50 price of plug or jack with maximum .75 discount factor for regular or hi-temp.  
 † - Solid Pin Availability: J,K,T,E,R,S,U.

## MOUNTING HARDWARE FOR 2-POLE CONNECTOR

- Nickel Plated Construction.
- All screws mount from top into threaded bottom plate. (no loose nuts)

| CABLE CLAMP      |           |                   |
|------------------|-----------|-------------------|
| CODE NO.         | PRICE EA. | DISCOUNT SCHEDULE |
| 1080             |           | B                 |
| 1088 w/mtg. stud |           |                   |

| WIRE CLAMP       |           |                   |
|------------------|-----------|-------------------|
| CODE NO.         | PRICE EA. | DISCOUNT SCHEDULE |
| 1084             |           | B                 |
| 1085 w/mtg. stud |           |                   |

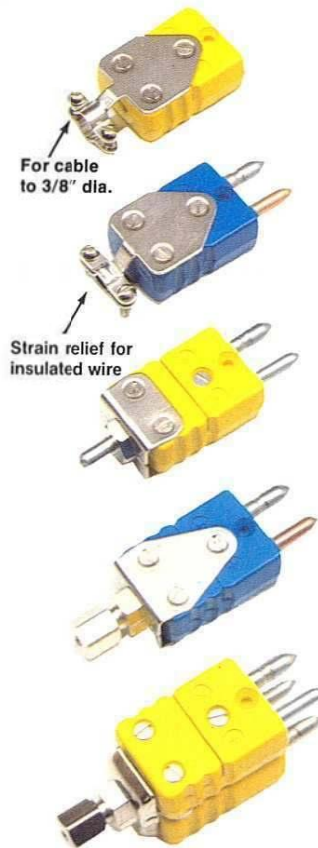
| CRIMP ADAPTER        |           |                   |
|----------------------|-----------|-------------------|
| CODE NO.             | PRICE EA. | DISCOUNT SCHEDULE |
| 1074-125<br>1074-187 |           | B                 |

| COMPRESSION ADAPTER<br>(metal sheathed T/C to connector) |           |                   |
|--|-----------|-------------------|
| CODE NO.   | PRICE EA. | DISCOUNT SCHEDULE |
| 1070-*   |           | B                 |
| 1078-*   |           |                   |
| w/mtg. stud  |           |                   |

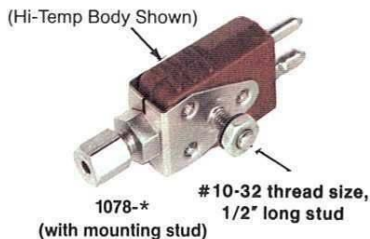
| COMPRESSION ADAPTER-DUAL<br>(metal sheathed dual T/C to connector) |           |                   |
|--|-----------|-------------------|
| CODE NO.   | PRICE EA. | DISCOUNT SCHEDULE |
| 1071-*   |           | B                 |

Specify Size: Blank, .040", .062", .125", .187", .250", .312", .375"  
 \*Code: 000, 040, 062, 125, 187, 250, 312, 375

No nut or ferrule



| DISCOUNT SCHEDULE "A" |        |
|-----------------------|--------|
| QUANTITY              | FACTOR |
| 1-14                  |        |
| 15-49                 |        |
| 50-99                 |        |
| 100-249               |        |
| 250-499               |        |
| 500-999               |        |
| 1000-1999             |        |
| 2000+                 |        |

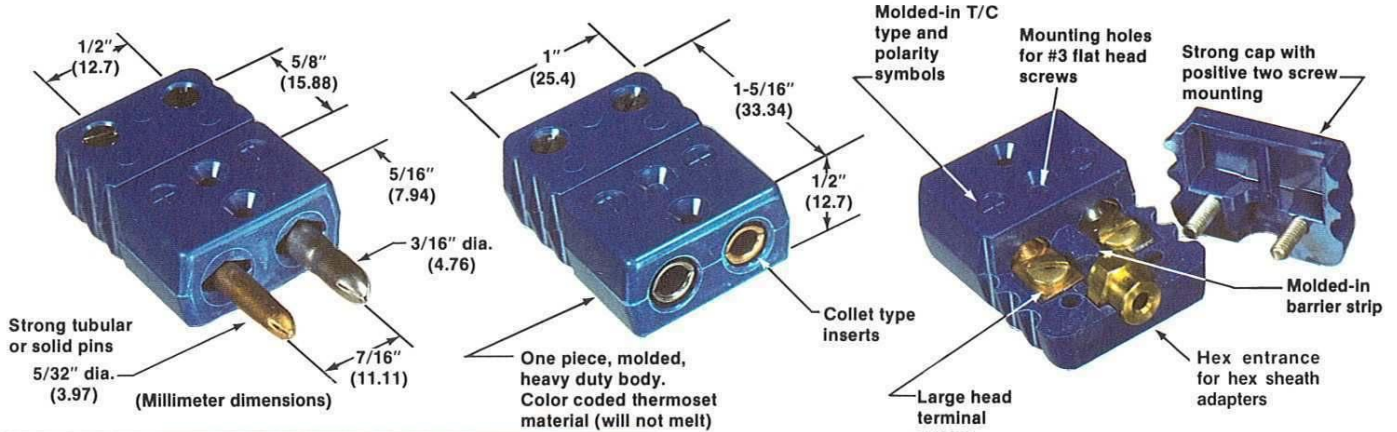


| DISCOUNT SCHEDULE "B" |        |
|-----------------------|--------|
| QUANTITY              | FACTOR |
| 1-14                  |        |
| 15-49                 |        |
| 50-99                 |        |
| 100-249               |        |
| 250+                  |        |



MANUFACTURING CORPORATION 12404 TRISKETT ROAD CLEVELAND, OHIO 44111 (216) 941-6200 FAX: (216) 941-6207

# CONNECTORS FULL SIZE — 2-POLE — HEX BODY



| FULL SIZE 2-POLE — HEX BODY |            |                |              |
|-----------------------------|------------|----------------|--------------|
| CODE NO.                    | PRICE EACH | DESCRIPTION    | DISC. SCHED. |
| 1065 - *                    |            | Plug           |              |
| 1055 - †                    |            | Solid Pin Plug | A            |
| 1015 - *                    |            | Jack           |              |

| HIGH-TEMPERATURE 2 POLE — HEX BODY  |            |             |
|---|------------|-------------|
| CODE NO.  | PRICE EACH | DESCRIPTION |
| Hex Body Connectors are not available in high temperature use regular connectors for this application |            |             |

- 2-Pole Connector plugs and jacks are made to exacting specifications to provide rapid, dependable connections between thermocouples and extension wires.
- Alloys of prongs and inserts match ANSI calibrations to maintain sensing accuracy. Alloy and polarity are identified by symbols molded into body.
- Connector bodies molded of glass filled thermoset compounds (will not melt) for high strength and dependability. The color coded Connectors will withstand ambient temperatures of 400°F (205°C) continuous and 500°F (260°C) intermittent.
- Inserts are spring loaded collet type to assure positive full contact with the negative insert larger making it virtually impossible to mismatch.
- For corrosive applications, gold or nickel plated prongs and inserts are available. Caution — system errors can result from use of plated contacts if significant thermal gradients exist at connector.

\* - Tubular Pin Availability: J,K,T,N,E,R,S,U also "C" EXCEPT ADD \$1.50 to price of plug or jack with maximum .75 discount factor for regular or hi-temp.  
 † - Solid Pin Availability: J,K,T,E,R,S,U.  
 1 - Braze-on adapters can be ordered with connector at no extra charge - Specify sheath size  
 2 - Crimp-on adapters must be ordered separately

| TYPE CODE | INSERT MAT'L. ALLOY |            | COLOR CODE |
|-----------|---------------------|------------|------------|
|           | POSITIVE            | NEGATIVE   |            |
| J         | IRON                | CONSTANTAN | BLACK      |
| T         | COPPER              | CONSTANTAN | BLUE       |
| K         | CHROMEL™            | ALUMEL™    | YELLOW     |
| N         | NICROSIL            | NISIL      | ORANGE     |
| R         | COPPER              | # 11 ALLOY | GREEN      |
| S         | COPPER              | # 11 ALLOY | GREEN      |
| E         | CHROMEL™            | CONSTANTAN | VIOLET     |
| U         | COPPER              | COPPER     | WHITE      |
| C         | #405 ALLOY          | #426 ALLOY | BROWN      |

For gold plating use suffix "G" (i.e. 1065-K-G) @ \$1.00 add to list.  
 For nickel plating use suffix "P" (i.e. 1065-K-P) @ \$0.50 add to list.

### MOUNTING HARDWARE

| BRAZE ADAPTER |            |                   |
|---------------|------------|-------------------|
| CODE NO.      | PRICE EACH | DISCOUNT SCHEDULE |
| 1077-*        |            | A                 |

Specify Size: Blank, .040", .062", .090", .125", .187", .250"  
 \*Code: 000, 040, 062, 125, 187, 250  
 Can be included w/Connector at no extra charge

| HEX-CRIMP ADAPTER |            |                   |
|-------------------|------------|-------------------|
| CODE NO.          | PRICE EACH | DISCOUNT SCHEDULE |
| 1075-*            |            | A                 |

Specify Size: .040", .062", .125", .187"  
 \*Code: 040, 062, 125, 187  
 Cannot be included w/Connector price (Power crimping equipment recommended.)

| NEOPRENE WIRE GRIP BUSHING |            |                   |
|----------------------------|------------|-------------------|
| CODE NO.                   | PRICE EACH | DISCOUNT SCHEDULE |
| 1079                       |            | A                 |

One included with each connector at no extra charge



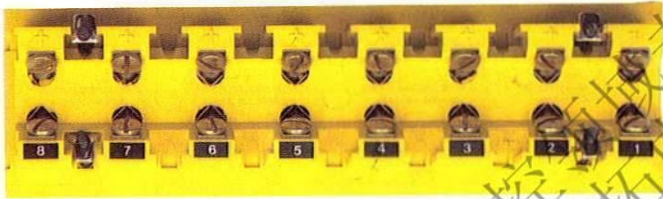
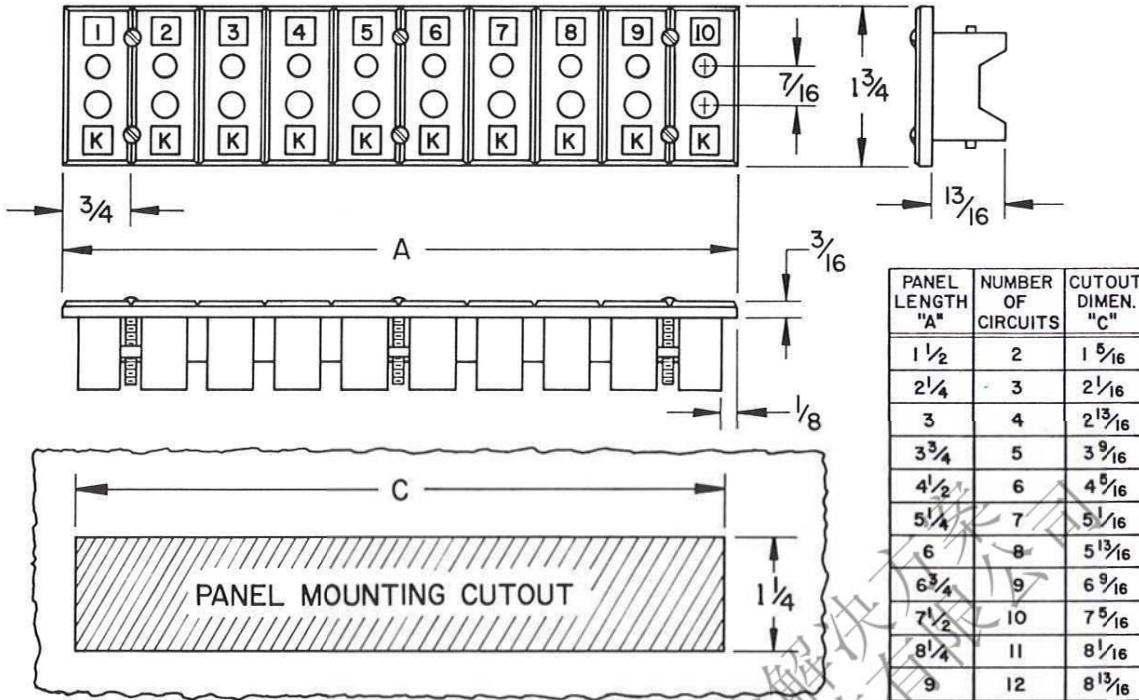
| DISCOUNT SCHEDULE "A" |        |
|-----------------------|--------|
| QUANTITY              | FACTOR |
| 1-14                  |        |
| 15-49                 |        |
| 50-99                 |        |
| 100-249               |        |
| 250-499               |        |
| 500-999               |        |
| 1000-1999             |        |
| 2000+                 |        |



MANUFACTURING CORPORATION 12404 TRISKETT ROAD CLEVELAND, OHIO 44111 FAX: (216) 941-6207

# CONNECTORS FULL SIZE — 2-POLE STRIPANEL®

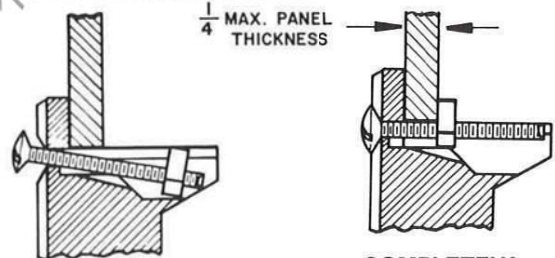
CATALOG NUMBER 1032



(BACK VIEW)

- Strippanels available 2 to 12 circuits - Color coded.
- For cutouts — Does not require mounting frame or mounting holes.
- Strippanels can be wired and installed completely from front. Patented self-contained fastening device, "T Nut", is permanently attached, simplifies mounting, holds tight. Patent No. 3046516.
- Thermocouple type and circuit numbers are marked on face of Strippanel with corresponding circuit numbers and polarity identification on the back. Strippanels are numbered starting from "1" unless specified otherwise.
- Strippanels are molded of glass filled thermoset compounds (will not melt) for high strength and dependability. The color coded panels will withstand ambient temperatures to 400°F (205°C) continuous and 500°F (260°C) intermittent. High-Temperature panels (All Hi-Temp panels are color coded red) will withstand ambient temperatures to 800°F (425°C) continuous and 1000°F (540°C) intermittent.
- Inserts are spring loaded collet type to assure positive full contact with the negative insert larger making it virtually impossible to mismatch.
- For corrosive application, gold plated contacts are available. Caution — system errors can result from use of plated contacts if significant thermal gradients exist.

### SELF-CONTAINED FASTENING DEVICE



Ready for installation, T-nuts are out of the way at bottom of track.

**COMPLETELY FRONT FASTENING**  
Screws accessible from the front draw T-nuts up molded track and hold them tight against back wall.

| TYPE CODE                | INSERT MAT'L. ALLOY |            | COLOR CODE |
|--------------------------|---------------------|------------|------------|
|                          | POSITIVE            | NEGATIVE   |            |
| J                        | IRON                | CONSTANTAN | BLACK      |
| T                        | COPPER              | CONSTANTAN | BLUE       |
| K                        | CHROMEL™            | ALUMEL™    | YELLOW     |
| N                        | NICROSIL            | NISIL      | ORANGE     |
| R                        | COPPER              | #11 ALLOY  | GREEN      |
| S                        | COPPER              | #11 ALLOY  | GREEN      |
| E                        | CHROMEL™            | CONSTANTAN | VIOLET     |
| U                        | COPPER              | COPPER     | WHITE      |
| C                        | #405 ALLOY          | #426 ALLOY | BROWN      |
| (ALL HI-TEMP STRIPANELS) |                     |            | RED        |

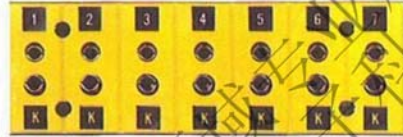
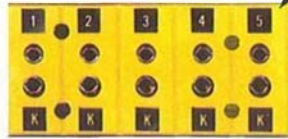
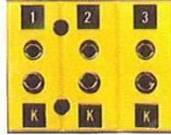


MANUFACTURING CORPORATION 12404 TRISKETT ROAD CLEVELAND, OHIO 44111 FAX: (216) 941-6207

(216) 941-6200

# CONNECTORS FULL SIZE — 2-POLE STRIPANEL®

| STANDARD 2-POLE/<br>HI-TEMP 2-POLE |       |                   |
|------------------------------------|-------|-------------------|
| CODE NUMBER                        | PRICE | DISCOUNT SCHEDULE |
| 1032-2-(*)                         |       | A                 |
| 1132-2-(*)                         |       | B                 |
| 1032-3-(*)                         |       | A                 |
| 1132-3-(*)                         |       | B                 |
| 1032-4-(*)                         |       | A                 |
| 1132-4-(*)                         |       | B                 |
| 1032-5-(*)                         |       | A                 |
| 1132-5-(*)                         |       | B                 |
| 1032-6-(*)                         |       | A                 |
| 1132-6-(*)                         |       | B                 |
| 1032-7-(*)                         |       | A                 |
| 1132-7-(*)                         |       | B                 |
| 1032-8-(*)                         |       | A                 |
| 1132-8-(*)                         |       | B                 |
| 1032-9-(*)                         |       | A                 |
| 1132-9-(*)                         |       | B                 |
| 1032-10-(*)                        |       | A                 |
| 1132-10-(*)                        |       | B                 |
| 1032-11-(*)                        |       | A                 |
| 1132-11-(*)                        |       | B                 |
| 1032-12-(*)                        |       | A                 |
| 1132-12-(*)                        |       | B                 |



Standard Panels Shown  
Hi-Temp Panels are Color Coded "RED"  
(See Page 31 for Hi-Temp)

- TO ORDER:
- 1) Give Stripanel No. 1032 - 6 - K @ \$30.00
  - 2) Specify No. of Circuits  $\uparrow$
  - 3) Specify T/C Type by Code  $\uparrow$
  - 4) For Vertical Strippanels Add Suffix "V" eg. 1032 - 6 - K - V
  - 5) For High-Temp Strippanels: 1132 - 6 - K
  - 6) Availability: J,K,T,N,E,R,S,U, also "C"  
EXCEPT ADD \$1.50 to circuit price with maximum .75 discount factor for regular or hi-temp (Schedule "B") for type "C".
  - 7) Gold plated inserts are available at \$1.00 per circuit. Add to list price. Use suffix "G" (i.e. 1032-6-K-G).

| DISCOUNT SCHEDULE "A" |        |
|-----------------------|--------|
| QUANTITY*             | FACTOR |
| 1-14                  |        |
| 15-49                 |        |
| 50-99                 |        |
| 100-249               |        |
| 250-499               |        |
| 500-999               |        |
| 1000-1999             |        |
| 2000+                 |        |

\*No. of circuits

| DISCOUNT SCHEDULE "B" |        |
|-----------------------|--------|
| QUANTITY*             | FACTOR |
| 1-14                  |        |
| 15-49                 |        |
| 50-99                 |        |
| 100-249               |        |
| 250+                  |        |

\*No. of circuits

| THERMOCOUPLE TYPE | COLOR CODE |
|-------------------|------------|
| T                 | BLUE       |
| J                 | BLACK      |
| E                 | VIOLET     |
| K                 | YELLOW     |
| N                 | ORANGE     |
| S                 | GREEN      |
| R                 | GREEN      |
| C                 | BROWN      |
| U                 | WHITE      |
| ALL HI-TEMP       | RED        |

\*TYPE CODE

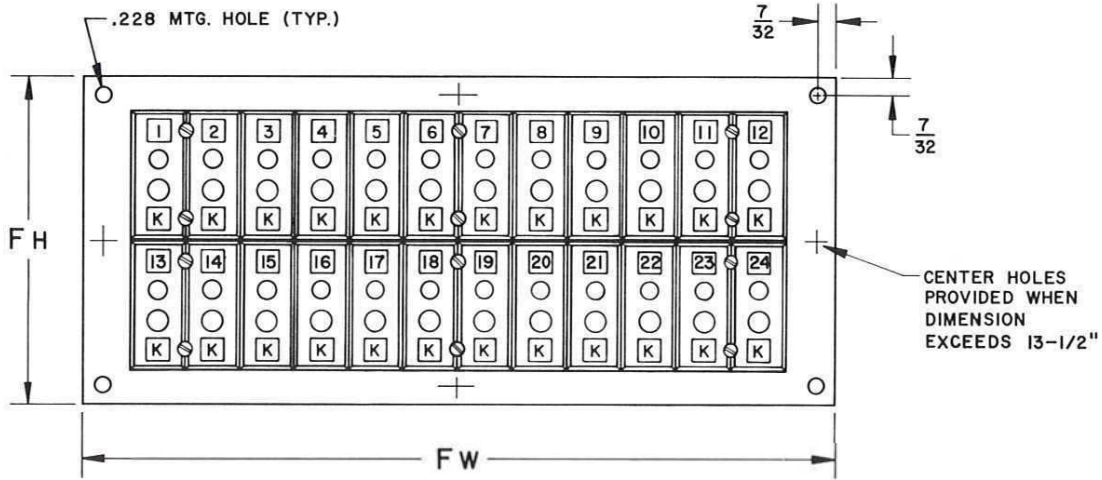


MANUFACTURING CORPORATION 12404 TRISKETT ROAD CLEVELAND, OHIO 44111

(216) 941-6200  
FAX: (216) 941-6207

# CONNECTORS FULL SIZE — 2-POLE STRIPANEL® WITH MOUNTING FRAME

CATALOG NUMBER 1033



**Dimension for Panel Assembly**  
C<sub>H</sub> AND C<sub>W</sub> ARE MOUNTING CUTOUT DIMENSIONS

| NUMBER OF ROWS | F <sub>H</sub><br>C <sub>H</sub>                     | CIRCUITS PER ROW |    |    |    |    |    |    |    |     |     |     |     |     |     |     |     |     |     |     |     |     |     |     |  | PRICE | DISC. SCHED.                          |
|----------------|--|------------------|----|----|----|----|----|----|----|-----|-----|-----|-----|-----|-----|-----|-----|-----|-----|-----|-----|-----|-----|-----|--|-------|---------------------------------------|
|                |  | 2                | 3  | 4  | 5  | 6  | 7  | 8  | 9  | 10  | 11  | 12  | 13  | 14  | 15  | 16  | 17  | 18  | 19  | 20  | 21  | 22  | 23  | 24  |  |       |                                       |
| 1              | F <sub>H</sub> = 2 7/8"<br>C <sub>H</sub> = 1 1/2"   | 2                | 3  | 4  | 5  | 6  | 7  | 8  | 9  | 10  | 11  | 12  | 13  | 14  | 15  | 16  | 17  | 18  | 19  | 20  | 21  | 22  | 23  | 24  | 1033<br>Standard<br><br>Per<br>Circuit | A     |                                       |
| 2              | F <sub>H</sub> = 4 3/8"<br>C <sub>H</sub> = 3 1/4"   | 4                | 6  | 8  | 10 | 12 | 14 | 16 | 18 | 20  | 22  | 24  | 26  | 28  | 30  | 32  | 34  | 36  | 38  | 40  | 42  | 44  | 46  | 48  |  |       |                                       |
| 3              | F <sub>H</sub> = 6 1/8"<br>C <sub>H</sub> = 5"       | 6                | 9  | 12 | 15 | 18 | 21 | 24 | 27 | 30  | 33  | 36  | 39  | 42  | 45  | 48  | 51  | 54  | 57  | 60  | 63  | 66  | 69  | 72  |  |       |                                       |
| 4              | F <sub>H</sub> = 7 7/8"<br>C <sub>H</sub> = 6 3/4"   | 8                | 12 | 16 | 20 | 24 | 28 | 32 | 36 | 40  | 44  | 48  | 52  | 56  | 60  | 64  | 68  | 72  | 76  | 80  | 84  | 88  | 92  | 96  |  |       |                                       |
| 5              | F <sub>H</sub> = 9 5/8"<br>C <sub>H</sub> = 8 1/2"   | 10               | 15 | 20 | 25 | 30 | 35 | 40 | 45 | 50  | 55  | 60  | 65  | 70  | 75  | 80  | 85  | 90  | 95  | 100 | 105 | 110 | 115 | 120 |  |       |                                       |
| 6              | F <sub>H</sub> = 11 3/8"<br>C <sub>H</sub> = 10 1/4" | 12               | 18 | 24 | 30 | 36 | 42 | 48 | 54 | 60  | 66  | 72  | 78  | 84  | 90  | 96  | 102 | 108 | 114 | 120 | 126 | 132 | 138 | 144 |  |       |                                       |
| 7              | F <sub>H</sub> = 13 1/8"<br>C <sub>H</sub> = 12"     | 14               | 21 | 28 | 35 | 42 | 49 | 56 | 63 | 70  | 77  | 84  | 91  | 98  | 105 | 112 | 119 | 126 | 133 | 140 | 147 | 154 | 161 | 168 |  |       |                                       |
| 8              | F <sub>H</sub> = 14 7/8"<br>C <sub>H</sub> = 13 3/4" | 16               | 24 | 32 | 40 | 48 | 56 | 64 | 72 | 80  | 88  | 96  | 104 | 112 | 120 | 128 | 136 | 144 | 152 | 160 | 168 | 176 | 184 | 192 |  |       |                                       |
| 9              | F <sub>H</sub> = 16 5/8"<br>C <sub>H</sub> = 15 1/2" | 18               | 27 | 36 | 45 | 54 | 63 | 72 | 81 | 90  | 99  | 108 | 117 | 126 | 135 | 144 | 153 | 162 | 171 | 180 | 189 | 198 | 207 | 216 |  |       |                                       |
| 10             | F <sub>H</sub> = 18 3/8"<br>C <sub>H</sub> = 17 1/4" | 20               | 30 | 40 | 50 | 60 | 70 | 80 | 90 | 100 | 110 | 120 | 130 | 140 | 150 | 160 | 170 | 180 | 190 | 200 | 210 | 220 | 230 | 240 |  |       | 1133<br>Hi-Temp<br><br>Per<br>Circuit |

- Strippanels with mounting frames can accommodate virtually any number of circuits.
- One-piece mounting frame is made of 3/32" thick rigid steel with flat black finish.
- For specifications see Strippanel 1032 section.
- For frame sizes other than those in table consult Factory.
- Horizontal rows are assumed unless specified vertical by the suffix "V" which are numbered from top to bottom: e.g. 1033 - 4 X 12 - 48 - K - V.
- Strippanels with mounting frames will withstand ambient temperatures of 400°F (205°C) continuous and 500°F (260°C) intermittent. Hi-Temp panels will withstand ambient temperatures to 800°F (425°C) continuous and 1000°F (540°C) intermittent.
- For corrosive applications, gold plated inserts are available. Caution — system errors can result from use of plated contacts if significant thermal gradients exist at connector.

**TO ORDER:**

1. Give Strippanel No. → 1033 - 4 X 12 - 48 - K
2. Specify No. of Horizontal Rows →
3. Specify No. of Circuits per Row →
4. Give Total Number of Circuits →
5. Specify Thermocouple Type Code →
6. For Vertical Rows Add Suffix "V"  
e.g. 1033 - 4 x 12 - 48 - K - V
7. For Hi-Temp Strippanel In Frame:  
e.g. 1133 - 4 x 12 - 48 - K
8. Availability: J,K,T,N,E,R,S,U, also "C" EXCEPT  
ADD \$1.50 to circuit price with maximum .75 discount factor for regular or Hi-Temp.
9. Gold plated inserts are available at \$1.00 per circuit. Add to list price. Use suffix "G"  
(i.e. 1033-4x12-48-K-G).



MANUFACTURING CORPORATION 12404 TRISKETT ROAD CLEVELAND, OHIO 44111 FAX: (216) 941-6207

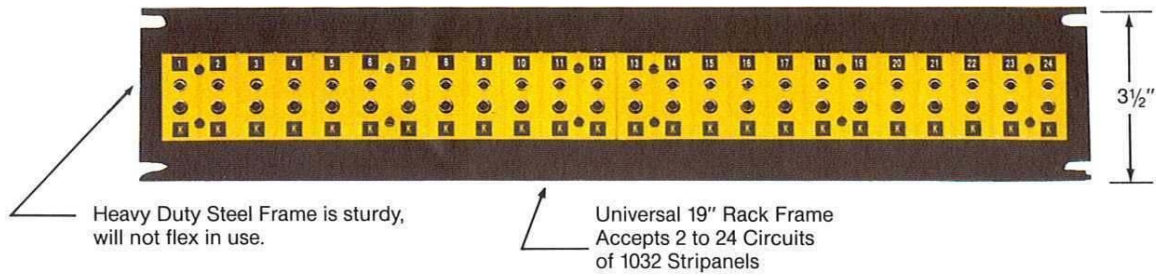
(216) 941-6200



# CONNECTORS

## FULL SIZE — 2-POLE — 19" RACK — MOUNTED STRIPANEL®

CATALOG NUMBER 1041



- Universal 19" Rack accepts 2 to 24 circuits of 1032 Stripanels, less than 24 circuits are supplied with filler sections.
- Circuits can be added in the field without changing frame.
- 19" Rack Frame is made of sturdy 10 ga. steel that will not flex in use. Standard frame is flat black. High-Temp frame is bright silver finish.
- Thermocouple type and circuit numbers are marked on face of Stripanel with corresponding circuit numbers and polarity identification on the back. Stripanels are numbered starting from "1" unless specified otherwise.
- Stripanels are molded of glass filled thermoset compounds (will not melt) for high strength and dependability. The color coded panels will withstand ambient temperatures to 400°F (205°C) continuous and 500°F (260°C) intermittent. High-Temperature panels (All Hi-Temp panels are color coded red) will withstand ambient temperatures to 800°F (425°C) continuous and 1000°F (540°C) intermittent.
- Inserts are spring loaded collet type to assure positive full contact with the negative insert larger making it virtually impossible to mismatch.
- For corrosive application, gold plated contacts are available. Caution — system errors can result from use of plated contacts if significant thermal gradients exist at connection.

**TO ORDER:**

1. Give Code No. 1041 - 24 - K
2. Specify number of circuits ↑
3. Designate Thermocouple Type by Code ↑
4. For Hi-Temp Stripanel: 1141 - 24 - K

**Price:**

Standard 1041 Frame & Stripanel  
 1041 Std. Frame @ \$50.  
 Std. Circuits @ \$5.50/circuit  
 Discount Schedule "A" applies  
 Hi-Temp Frame & Stripanel  
 1141 @ \$60.  
 Hi-Temp Circuits @ \$9.00/circuit  
 Discount Schedule "B" applies

**Example:**

|                                |              |
|--------------------------------|--------------|
| 1041-24 Frame                  | \$50         |
| (24) Std. Circuits @ \$5.50    | 132          |
| <b>Total Price (1041-24-K)</b> | <b>\$182</b> |

| TYPE CODE                | INSERT MAT'L. ALLOY |            | COLOR CODE |
|--------------------------|---------------------|------------|------------|
|                          | POSITIVE            | NEGATIVE   |            |
| J                        | IRON                | CONSTANTAN | BLACK      |
| T                        | COPPER              | CONSTANTAN | BLUE       |
| K                        | CHROMEL™            | ALUMEL™    | YELLOW     |
| N                        | NICROSIL            | NISIL      | ORANGE     |
| R                        | COPPER              | #11 ALLOY  | GREEN      |
| S                        | COPPER              | #11 ALLOY  | GREEN      |
| E                        | CHROMEL™            | CONSTANTAN | VIOLET     |
| U                        | COPPER              | COPPER     | WHITE      |
| C                        | #405 ALLOY          | #426 ALLOY | BROWN      |
| (ALL HI-TEMP STRIPANELS) |                     |            | RED        |

\*For type "C" add \$1.50 per circuit to list price. Schedule "B" discount applies for regular or high-temp.  
 Gold plated contacts available at \$1.00. Add to list price. Use suffix "G" (i.e. 1041-24-K-G).

| DISCOUNT SCHEDULE "A" |        |
|-----------------------|--------|
| QUANTITY              | FACTOR |
| 1-14                  |        |
| 15-49                 |        |
| 50-99                 |        |
| 100-249               |        |
| 250-499               |        |
| 500-999               |        |
| 1000-1999             |        |
| 2000+                 |        |

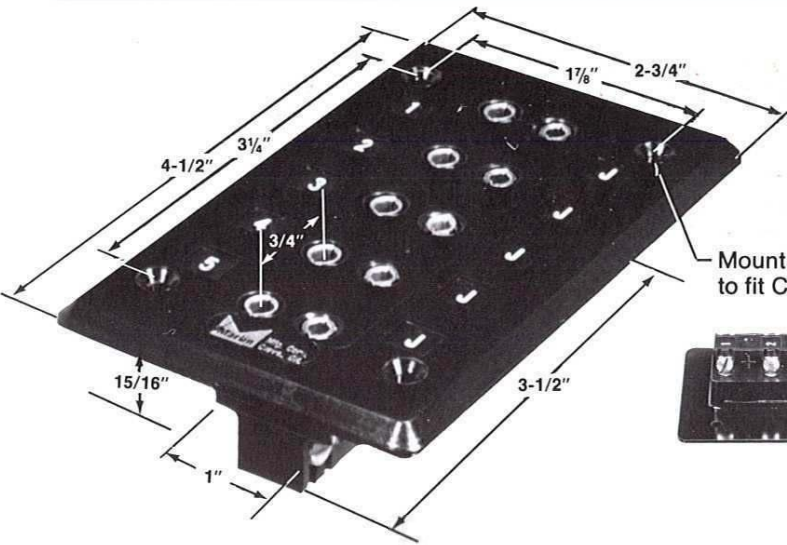
| DISCOUNT SCHEDULE "B" |        |
|-----------------------|--------|
| QUANTITY              | FACTOR |
| 1-14                  |        |
| 15-49                 |        |
| 50-99                 |        |
| 100-249               |        |
| 250+                  |        |



MANUFACTURING CORPORATION 12404 TRISKETT ROAD CLEVELAND, OHIO 44111 FAX: (216) 941-6207

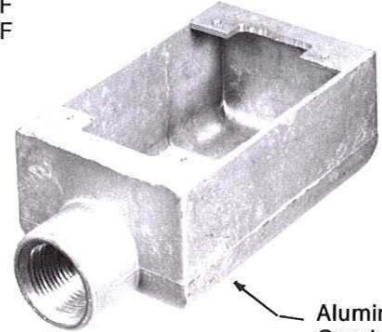
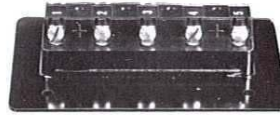
(216) 941-6200

## CONNECTORS CONDUIT BOX PANEL



- 1 to 5 circuits
- Color Coded
- Molded Channels guide wires for quick, easy connections.
- Molded of Thermoset Compounds
- See 1032 for basic specs.
- Standard 400° F
- Hi-Temp. 800° F

Mounting Screws  
to fit Conduit Box



Aluminum  
Conduit Box

| 2-POLE JACK PANEL FOR CONDUIT BOX |            |                   |
|-----------------------------------|------------|-------------------|
| CODE NO.                          | PRICE EACH | DISCOUNT SCHEDULE |
| 1030-5-(*)                        |            | B                 |
| 1030-4-(*)                        |            |                   |
| 1030-3-(*)                        |            |                   |
| 1030-2-(*)                        |            |                   |
| 1030-1-(*)                        |            |                   |

\*Specify Calibration J,K,T,N,E,R,S,U

| 2-POLE HI-TEMP JACK PANEL FOR CONDUIT BOX |            |                   |
|---|------------|-------------------|
| CODE NO.                                  | PRICE EACH | DISCOUNT SCHEDULE |
| 1130-5-(*)                                |            | B                 |
| 1130-4-(*)                                |            |                   |
| 1130-3-(*)                                |            |                   |
| 1130-2-(*)                                |            |                   |
| 1130-1-(*)                                |            |                   |

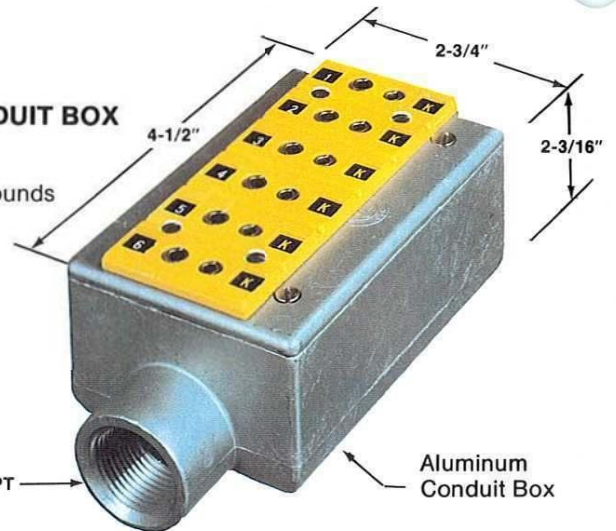
\*Specify Calibration J,K,T,N,E,R,S,U

| CONDUIT BOX FOR PANEL |            |                             |
|-----------------------|------------|-----------------------------|
| CODE NO.              | PRICE EACH | DESCRIPTION                 |
| 1040                  |            | Conduit Box for 1030 Panels |

### 6 CIRCUIT PANEL w/CONDUIT BOX

- Color Coded
- Molded of Thermoset Compounds
- See 1032 for basic specs.
- Standard to 400° F
- Hi-Temp. to 800° F

| DISCOUNT SCHEDULE "B" |        |
|-----------------------|--------|
| QUANTITY              | FACTOR |
| 1-14                  |        |
| 15-49                 |        |
| 50-99                 |        |
| 100-249               |        |
| 250+                  |        |



3/4" NPT

Aluminum  
Conduit Box

| 2-POLE 6-CIRCUIT PANEL w/CONDUIT BOX |       |                   |
|--------------------------------------|-------|-------------------|
| CODE NO.                             | PRICE | DISCOUNT SCHEDULE |
| 1036-6-(*)<br>(with FS Box)          |       | B                 |

\*Specify Calibration J,K,T,N,E,R,S,U

| HI-TEMP 2-POLE 6-CIRCUIT PANEL w/CONDUIT BOX |       |                   |
|--|-------|-------------------|
| CODE NO.                                     | PRICE | DISCOUNT SCHEDULE |
| 1136-6-(*)<br>(with FS Box)                  |       | B                 |

\*Specify Calibration J,K,T,N,E,R,S,U

| CONDUIT BOX FOR 1036-6 PANEL IF ORDERED SEPARATELY |       |                   |
|--|-------|-------------------|
| CODE NO.   | PRICE | DISCOUNT SCHEDULE |
| 1040-6   |       | B                 |

\*Includes cover plate.



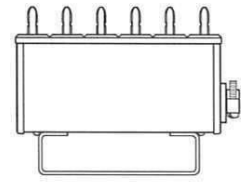
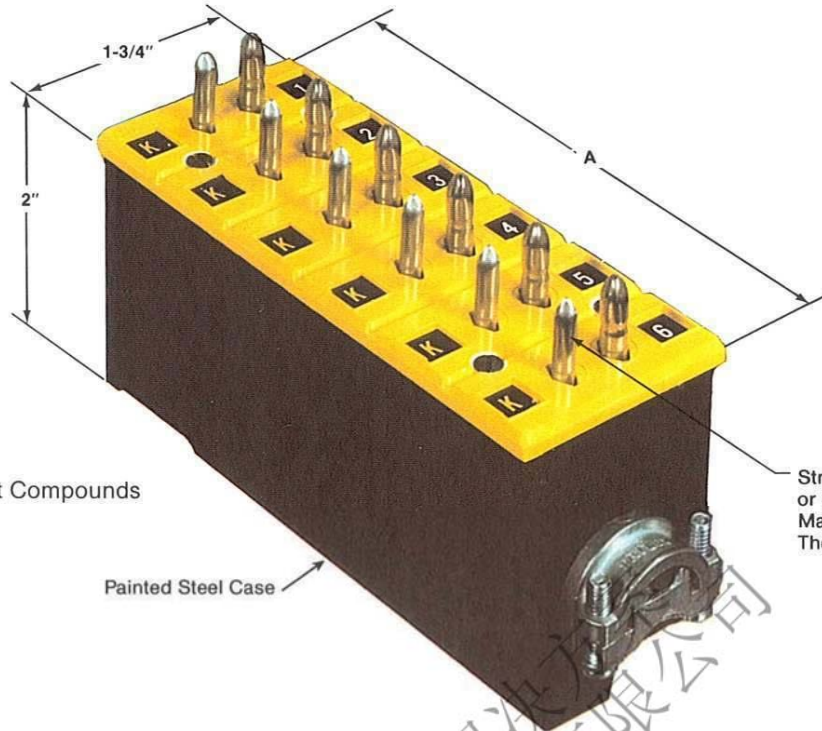
MANUFACTURING CORPORATION 12404 TRISKETT ROAD CLEVELAND, OHIO 44111

(216) 941-6200

FAX: (216) 941-6207

# CONNECTORS MULTIPLUG AND RSC (Round Single Circuit) PANEL

| NO. OF CIRCUITS | "A"    |
|-----------------|--------|
| 2               | 1 1/2" |
| 3               | 2 1/4" |
| 4               | 3"     |
| 5               | 3 3/4" |
| 6               | 4 1/2" |



SIDE VIEW

- 2 to 6 circuits
- Color Coded
- Molded of Thermoset Compounds
- See 1032 Stripanel® for specifications
- Standard 400° F
- Hi-Temp. 800° F

Strong Tubular or Solid Pins (optional)  
Match ANSI Thermocouple Types

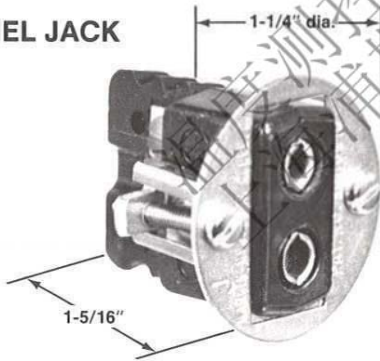
| 2-POLE MULTIPLUG |                         |                   |
|------------------|-------------------------|-------------------|
| CODE NO.         | PRICE EACH <sup>1</sup> | DISCOUNT SCHEDULE |
| 1062-2-(*)       |                         | B                 |
| 1062-3-(*)       |                         |                   |
| 1062-4-(*)       |                         |                   |
| 1062-5-(*)       |                         |                   |
| 1062-6-(*)       |                         |                   |

\* - Specify calibration J,K,T,N,E,R,S,U,C  
1 - For solid pins use No. 1052-( )-( ) and add \$2.00 per circuit

| HI-TEMPERATURE 2-POLE MULTIPLUG |            |                   |
|---------------------------------|------------|-------------------|
| CODE NO.                        | PRICE EACH | DISCOUNT SCHEDULE |
| 1162-2-(*)                      |            | B                 |
| 1162-3-(*)                      |            |                   |
| 1162-4-(*)                      |            |                   |
| 1162-5-(*)                      |            |                   |
| 1162-6-(*)                      |            |                   |

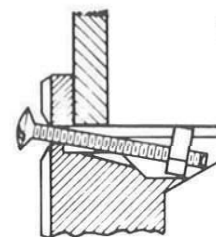
1) For hi-temp with solid pins, use No. 1152-( )-( ) and add \$2.00 per circuit

## RSC PANEL JACK



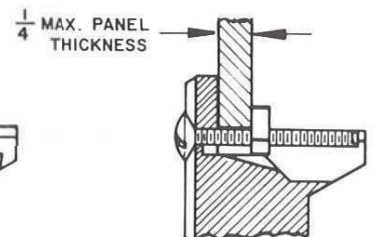
**Single circuit jack** designed for mounting into control panel or instrument case can be wired and installed completely from the front. Fits in standard 3/4" knockout (1 1/8" diameter). **Permanently attached self-fastening device** simplifies mounting, holds tight.

Patent No. 3046516



ON RSC PANEL JACK OR STRIPANEL

Ready for installation, T-nuts are out of the way at bottom of track.



COMPLETELY FRONT FASTENING

Screws accessible from the front draw T-nuts up metal track and hold them tight against back wall.

| RSC 2-POLE JACK PANEL |                         |                   |
|-----------------------|-------------------------|-------------------|
| CODE NO.              | PRICE EACH <sup>1</sup> | DISCOUNT SCHEDULE |
| 1031-*                |                         | B                 |

| HIGH TEMPERATURE RSC 2-POLE JACK PANEL |                         |                   |
|--|-------------------------|-------------------|
| CODE NO.                               | PRICE EACH <sup>1</sup> | DISCOUNT SCHEDULE |
| 1131-*                                 |                         | B                 |

NOTES: \*Specify Calibration J,K,T,N,E,R,S,U,C

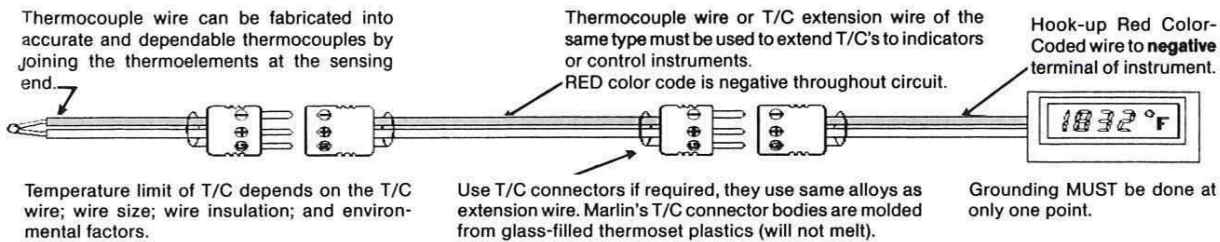
| RSC MOUNTING HARDWARE (If ordered separately) |                         |                   |
|---|-------------------------|-------------------|
| CODE NO.                                      | PRICE EACH <sup>1</sup> | DISCOUNT SCHEDULE |
| 1095  |                         | B                 |



MANUFACTURING CORPORATION 12404 TRISKETT ROAD CLEVELAND, OHIO 44111 FAX: (216) 941-6207

(216) 941-6200

## THERMOCOUPLE CONNECTORS 3-POLE APPLICATION



A thermocouple is a pair of dissimilar wires so joined as to produce a thermally generated emf when its ends are at different temperatures. Several combinations of dissimilar pairs have become standardized and used in temperature instrumentation. T, J, E, K, N, R, S, B are letter codes designating some popular thermocouples that are readily available. Each combination has its own unique emf output and its own properties that make them more applicable for a particular use. Thermocouple theory allows the extension of the thermocouple without affecting its emf output when the extension wire and connectors have the same thermoelectric characteristics. For example, when a type "K" thermocouple is being used the wires and connectors used to extend it should be also type "K." The different types have color codes, for instance "K" type is yellow, assigned to them for easy identification so as to help prevent mismatching of extension wire connectors, and thermocouples. For example in the yellow color code of the type "K" circuit a blue type "T" connector would be an obvious improper component.

The generalized thermocouple system may be divided into five basic areas: Hot Zone/Gradient Area/Extension Region/Reference Junction/and Readout. The extension region is generally where thermocouple connectors are used to facilitate thermocouple-to-readout hook-up. In a simplistic and isolated system the thermocouple will perform to specifications. Unfortunately, these low voltage thermocouple signals can be interfered with from power lines, relays, motors, transformers and all other power associated appliances. This electrical noise can be reduced by the correct application of shields and grounding techniques.

3-pole thermocouple connectors provide a shield terminal that maintains the shield circuit from metal sheathed thermocouples to extension wires or from wire

to wire hook-ups. Grounding must be done at one point and only one point.

Thermocouple connectors and panels are polarized making them virtually impossible to mismatch. Marlin's connectors and panels are molded from glass filled thermoset compounds for high strength. They will not melt and are rated for continuous use to 400°F (205°C) continuous duty and 500°F (260°C) intermittently. They are color coded and letter coded for type and polarization identification. Current carrying metal parts are made of alloys matching the characteristics of the thermocouple type with which they are intended to be used. Contact springs are non-magnetic, non-corrosive, and are specially selected and processed to withstand the rated operating conditions.

An exception to the color code is the red colored high temperature version of these connectors and panels which are rated for use to 800°F (425°C) continuous duty and 1000°F (540°C) intermittently. They are molded from a highly stable and inert silicone-based thermoset compound filled with glass fibers for strength. These high temperature units are colored red for all thermocouple types but do retain the letter and polarization identification. The premium materials of which Marlin's high-temperature products are made make them unusually suitable for harsh environments, even where extreme temperature tolerance may not be a factor. In particular, these high temperature units have proven durable in the presence of radiation, and their low-outgassing properties also make them highly satisfactory for use under vacuum. Marlin's high temperature connectors are fully compatible, mechanically and electrically, with normal-temperature connectors, and share the same accessories and hardware. Regular and high-temperature connectors of like kind will fully intermate.



MANUFACTURING CORPORATION 12404 TRISKETT ROAD CLEVELAND, OHIO 44111

(216) 941-6200

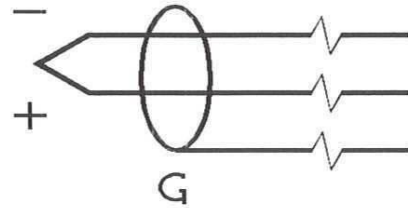
FAX: (216) 941-6207

## THERMOCOUPLE CONNECTORS MINI 3-POLE PLUGS AND JACKS

### Mini 3-Pole (Patent Pending)

Miniature Thermocouple Connectors for easy mating of small diameter sheathed thermocouple to extension wires where an electrical interference noise shield is required.

Featuring reliable, easy hook-up Jab-in® thermocouple terminals with built-in shield wire connection.



These 3-pole miniature thermocouple connectors are the most functional terminations available. Developed by temperature instrumentation experts in response to user requirements, these connectors achieve dependable connections between small diameter metal sheathed thermocouples and shield extension wires. Fine wires found in these units are easily handled and an automatically terminated shield wire circuit is provided.

The premium materials of which these connectors are made make them unusually suitable for harsh environments even where extreme temperature tolerance is a factor.

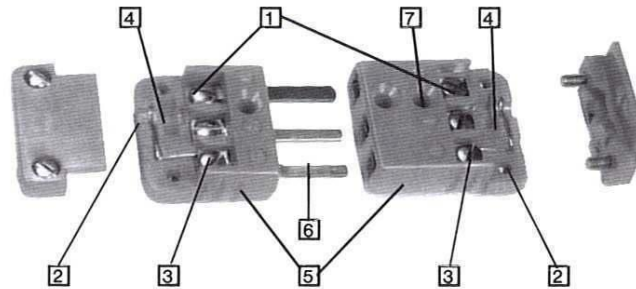
The real cost of a connector includes the time required for installation and reliability in service. The mini 3-pole connectors give you the best performance at the lowest cost.



MANUFACTURING CORPORATION 12404 TRISKETT ROAD CLEVELAND, OHIO 44111

(216) 941-6200  
FAX: (216) 941-6207

## THERMOCOUPLE CONNECTORS MINI 3-POLE PLUGS AND JACKS



| Feature/Function   | Benefit   |
|--|---|
| 1. Jab-in® terminals/<br>Wire is sandwiched between contacts of alloy material without damage.   | Even the very fine wires (.003") of .020" diameter sheathed thermocouples can be installed quickly and reliably without special tools or set-ups. Jab-in® terminals require only 1/4" of insulation to be removed. Looped wire ends are eliminated. |
| 2. Built-in Shield wire connection/<br>Shield circuit is connected to 3rd-pole of connector via ground link.   | The need for a special shield circuit wire to connect the sheath or the extension wire is eliminated resulting in a dependable, time-saving installation.   |
| 3. Removable shield wire connection/<br>Built-in shield wire connection can be eliminated when not required.   | After the built-in shield link is removed the shield from the extension wire or a 3-wire RTD can be easily and quickly installed using the Jab-in® terminal which accepts up to 24 gauge (.020") wire.  |
| 4. Offset hex entrance/<br>Accepts braze-on or crimp-on hex sheath adapters, external sheath adaptors, and wire clamps.                              | The fine wires of the small diameter sheathed thermocouples are not strained. Technicians work with same-length wires for ease of installation.   |
| 5. Molded body/<br>Connector body and cap are molded of thermoset, glass-reinforced compounds that are color coded.                                  | Thermoset molded connectors will withstand severe temperature environments without melting or deforming. Color codes allow easy thermocouple type identification which helps prevent mis-applications of connectors.                                |
| 6. Polarized pins and double-wipe inserts/<br>Connectors are virtually impossible to mismatch. Inserts are spring loaded with funnel type entrances. | Elimination of mismatched connectors saves time in trouble-shooting instrumentation. Tight grip assures low signal loss. The entrance provides easy mating.   |
| 7. Mounting Hole/<br>Through hole provides clearance for #3 screw.   | Surface mounting and stacking, if required can be made without special fixtures or secondary operations to the connector.   |

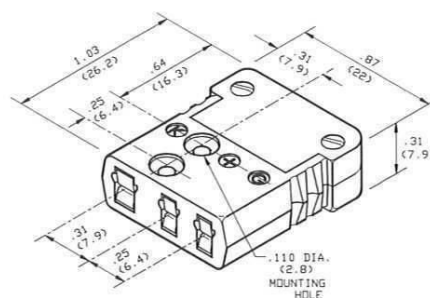
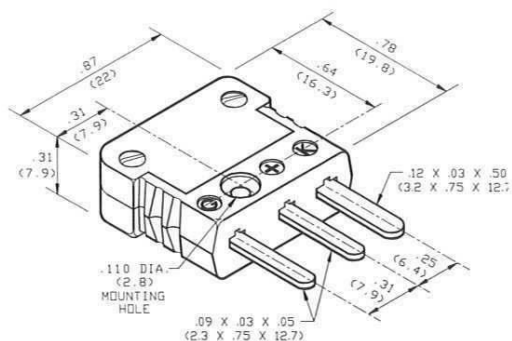


MANUFACTURING CORPORATION 12404 TRISKETT ROAD CLEVELAND, OHIO 44111

(216) 941-6200

FAX: (216) 941-6207

## THERMOCOUPLE CONNECTORS MINI 3-POLE PLUGS AND JACKS



### Specifications (Patent Pending):

- Mini 3-Pole Thermocouple Connector plugs and jacks provide rapid, dependable connections between small diameter sheathed thermocouples and extension wires with shield terminals an integral part of the system. In its all-copper version the 3-pole mini is ideal for 3-wire RTD applications.
- The thermocouple alloys of the prongs and inserts match ANSI standards to maintain thermocouple integrity. The thermocouple alloy-type letter code, polarity and shield terminal are identified by symbols that are molded into the connector body.

| T/C Type Code          | Connector Positive (+) T/C Alloy | Connector Negative (-) T/C Alloy | Shield Terminal Alloy | Body Color Code |
|------------------------|----------------------------------|----------------------------------|-----------------------|-----------------|
| T                      | Copper                           | Constantan                       | Copper                | Blue            |
| J                      | Iron                             | Constantan                       | Copper                | Black           |
| E                      | Chromel                          | Constantan                       | Copper                | Violet          |
| K                      | Chromel                          | Alumel                           | Copper                | Yellow          |
| N                      | Nicrosil                         | Nisil                            | Copper                | Orange          |
| R                      | Copper                           | #11 Alloy                        | Copper                | Green           |
| S                      | Copper                           | #11 Alloy                        | Copper                | Green           |
| U                      | Copper                           | Copper                           | Copper                | White           |
| C                      | #405 Alloy                       | #426 Alloy                       | Copper                | Brown           |
| 1,2,3                  | Copper                           | Copper                           | Copper                | White           |
| ALL HI-TEMP CONNECTORS |                                  |                                  |                       | Red             |

- Jab-In® terminals require only 1/4" of insulation to be removed. Wire is sandwiched between contacts of thermocouple alloy without damage.
- For use in corrosive environments, gold or nickel plated prongs and inserts are available. Caution — system errors can result from use of plated contacts if significant thermal gradients exist at the connector.
- Connector bodies are molded from glass-filled thermoset compounds (will not melt) for high strength and dependability. The color coded connector bodies will withstand ambient temperatures to 400°F (205°C) continuous duty and 500°F (260°C) intermittent use.
- High temperature connector bodies (All high temperature connector bodies are color coded RED) are made of a highly stable and inert silicone-based thermoset compound that will withstand ambient temperatures to 800°F (425°C) continuous duty and 1000°F (540°C) intermittent use. These units have proven durable in the presence of radiation, and their low-outgassing properties also make them highly satisfactory for use under vacuum.
- Surface mounting and stacking, if required, can be made by use of molded-in clearance holes.
- Shield terminals provide isolated connections of the shield circuit via the built-in sheath-to-shield link.

- Polarized pins are virtually impossible to mismatch.
- Large double-wipe jack inserts assure tight grip and low signal loss. With an isolated screw design, contact is all thermocouple alloy from wire entrance to wire exit.



MANUFACTURING CORPORATION 12404 TRISKETT ROAD CLEVELAND, OHIO 44111

(216) 941-6200

FAX: (216) 941-6207

# THERMOCOUPLE CONNECTORS MINI 3-POLE PLUGS AND JACKS

## Mini 3-Pole Plugs & Jacks

| Code No.         | \$/Each | Description                          | Discount Schedule |
|------------------|---------|--------------------------------------|-------------------|
| 1261-*<br>1211-* |         | Mini 3-pole Plug<br>Mini 3-pole Jack | A                 |

\*-Thermocouple Type Code  
T,J,E,K,N,R,S,U,123

Please note accessory options

## Hi-Temp Mini 3-Pole Plugs & Jacks

| Code No.         | \$/Each | Description                                  | Discount Schedule |
|------------------|---------|--|-------------------|
| 1361-*<br>1311-* |         | H/T Mini 3-Pole Plug<br>H/T Mini 3-Pole Jack | B                 |

\*-Thermocouple Type Code  
T,J,E,K,N,R,S,U,123

Please note accessory options

## "C" Mini 3-Pole Plugs & Jacks (Tungsten 5% Re/Tungsten 26% Re)

| Code No.         | \$/Each | Description                          | Discount Schedule |
|------------------|---------|--------------------------------------|-------------------|
| 1261-C<br>1211-C |         | Mini 3-pole Plug<br>Mini 3-pole Jack | B                 |

## "C" Hi-Temp Mini 3-Pole Plugs & Jacks (Tungsten 5% Re/Tungsten 26% Re)

| Code No.         | \$/Each | Description                                  | Discount Schedule |
|------------------|---------|--|-------------------|
| 1361-C<br>1311-C |         | H/T Mini 3-Pole Plug<br>H/T Mini 3-Pole Jack | B                 |

| Discount Schedule A |        |
|---------------------|--------|
| Quantity            | Factor |
| 1-14                |        |
| 15-49               |        |
| 50-99               |        |
| 100-249             |        |
| 250-499             |        |
| 500-999             |        |
| 1000-1999           |        |
| 2000+               |        |

| Discount Schedule B |        |
|---------------------|--------|
| Quantity            | Factor |
| 1-14                |        |
| 15-49               |        |
| 50-99               |        |
| 100-249             |        |
| 250-499             |        |

| T/C Type Code          | Connector Positive (+) T/C Alloy | Connector Negative (-) T/C Alloy | Shield Terminal Alloy | Body Color Code |
|------------------------|----------------------------------|----------------------------------|-----------------------|-----------------|
| T                      | Copper                           | Constantan                       | Copper                | Blue            |
| J                      | Iron                             | Constantan                       | Copper                | Black           |
| E                      | Chromel                          | Constantan                       | Copper                | Violet          |
| K                      | Chromel                          | Alumel                           | Copper                | Yellow          |
| N                      | Nicrosil                         | Nisil                            | Copper                | Orange          |
| R                      | Copper                           | #11 Alloy                        | Copper                | Green           |
| S                      | Copper                           | #11 Alloy                        | Copper                | Green           |
| U                      | Copper                           | Copper                           | Copper                | White           |
| C                      | #405 Alloy                       | #426 Alloy                       | Copper                | Brown           |
| 1,2,3                  | Copper                           | Copper                           | Copper                | White           |
| ALL HI-TEMP CONNECTORS |                                  |                                  |                       | Red             |

Gold plated contacts available at \$1.50 per circuit. Add to list price.  
Use suffix "G" (i.e. 1261-K-G).



Plug  
Mini 3-Pole



Jack  
Mini 3-Pole



MANUFACTURING CORPORATION 12404 TRISKETT ROAD CLEVELAND, OHIO 44111

(216) 941-6200

FAX: (216) 941-6207



# THERMOCOUPLE CONNECTORS MINI 3-POLE PLUG AND JACK ACCESSORIES

## Accessory

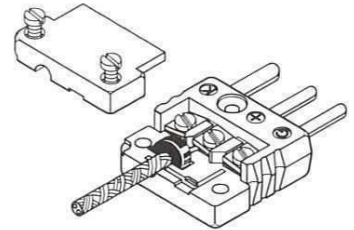
| Grommet Wire Grip |       |         |                   |
|-------------------|-------|---------|-------------------|
| Part No.          | Size  | \$/Each | Discount Schedule |
| 1279-030          | .030" |         | A                 |
| 1279-062          | .062" |         |                   |
| 1279-090          | .090" |         |                   |

Option 1: Grommet is furnished with each connector at no cost. Give part number of desired size otherwise 1279-062 is furnished as the standard package.

## Description

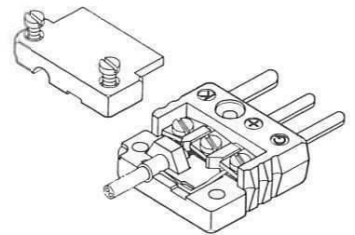
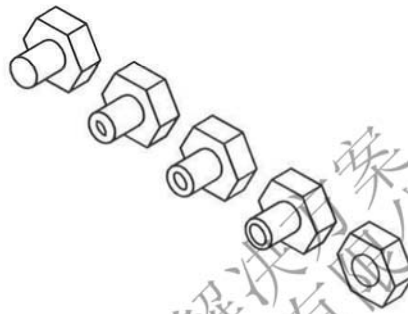


## Typical Installation

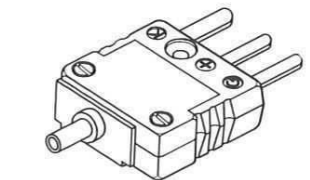
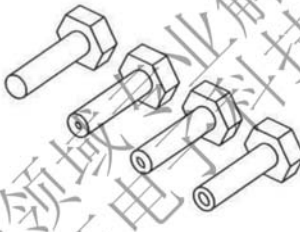


| Mini Braze-on Adapter |       |         |                   |
|-----------------------|-------|---------|-------------------|
| Part No.              | Size  | \$/Each | Discount Schedule |
| 1277-000              | blank |         | A                 |
| 1277-040              | .040" |         |                   |
| 1277-062              | .062" |         |                   |
| 1277-090              | .090" |         |                   |
| 1277-125              | .125" |         |                   |

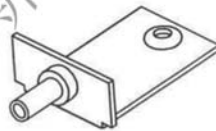
Option 2: Braze-on Adapter is furnished with each connector at no cost instead of grommets specified. Give part number of desired size.



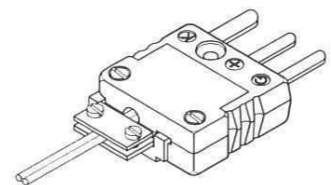
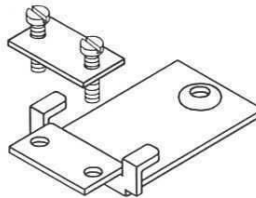
| Mini Hex Crimp Adapter |       |         |                   |
|------------------------|-------|---------|-------------------|
| Part No.               | Size  | \$/Each | Discount Schedule |
| 1275-000               | blank |         | A                 |
| 1275-020               | .020" |         |                   |
| 1275-040               | .040" |         |                   |
| 1275-062               | .062" |         |                   |



| Mini 3-Pole Crimp Adapter |       |         |                   |
|---------------------------|-------|---------|-------------------|
| Part No.                  | Size  | \$/Each | Discount Schedule |
| 1272-062                  | .062" |         | B                 |
| 1272-125                  | .125" |         |                   |



| Mini 3-Pole Wire Clamp |         |                   |
|------------------------|---------|-------------------|
| Part No.               | \$/Each | Discount Schedule |
| 1282                   |         | B                 |



| Replacement Shield Link |         |          |                   |
|-------------------------|---------|----------|-------------------|
| Part No.                | \$/Each | Notes    | Discount Schedule |
| 1261-006                |         | for Plug | B                 |
| 1211-006                |         | for Jack |                   |

Shield Links are supplied installed at no cost when a mini 3-pole plug or jack is ordered.



for Plug



for Jack



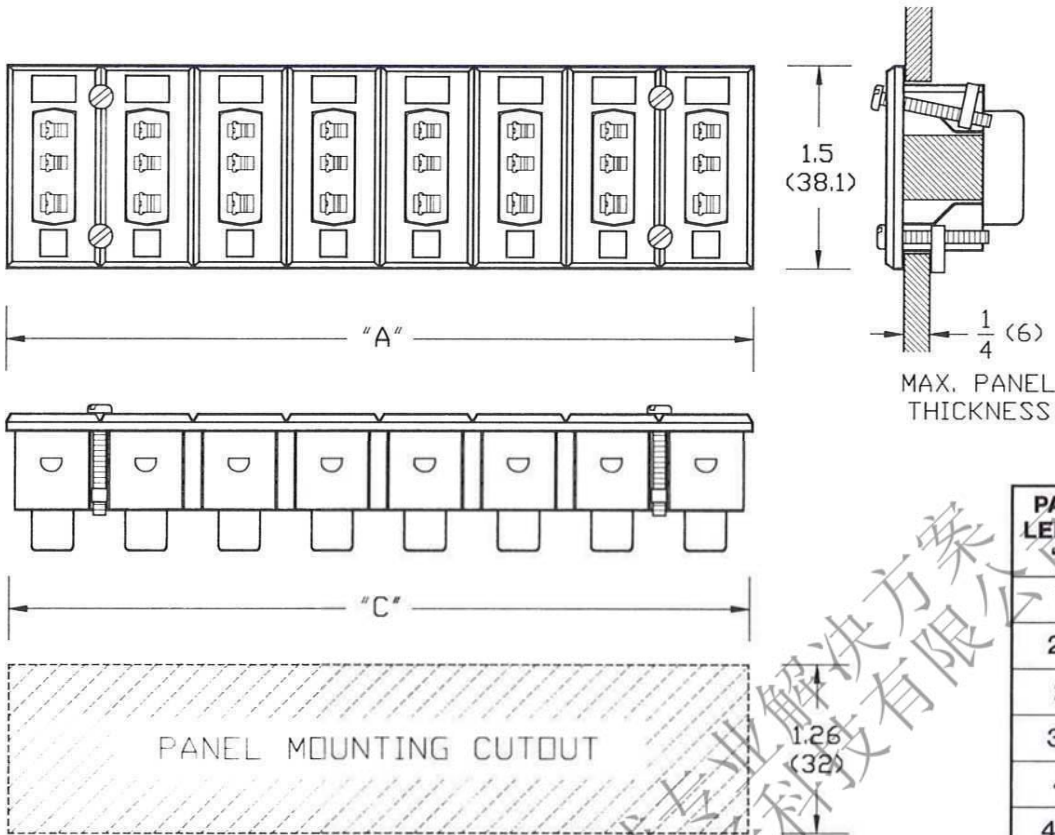
MANUFACTURING CORPORATION 12404 TRISKETT ROAD CLEVELAND, OHIO 44111

(216) 941-6200

FAX: (216) 941-6207

# THERMOCOUPLE CONNECTORS MINI 3-POLE STRIPANEL®

Catalog Number 1437



## COMPLETELY FRONT FASTENING

Ready for installation, T-nuts are out of the way at bottom of track.

Screws accessible from the front draw T-nuts up metal track and hold them tight against back wall.

| PANEL LENGTH "A" | NUMBER OF CIRCUITS | CUTOUT DIMEN. "C" |
|------------------|--------------------|-------------------|
| 1 3/8            | 2                  | 1 1/4             |
| 2 1/16           | 3                  | 1 15/16           |
| 2 3/4            | 4                  | 2 5/8             |
| 3 7/16           | 5                  | 3 5/16            |
| 4 1/8            | 6                  | 4                 |
| 4 13/16          | 7                  | 4 11/16           |
| 5 1/2            | 8                  | 5 3/8             |

- Strippanels available 2 to 8 circuits.
- Color Coded.
- For cutouts - does not require additional mounting frame or holes.
- Strippanels can be wired and installed completely from front. Patented self-contained fastening device, "T-Nut", is permanently attached, simplifies mounting, holds tight. Patent No. 3046516.
- Thermocouple type and circuit numbers are marked on face of Strippanel. Strippanels are numbered starting from "1" unless specified otherwise.
- Strippanels are molded of glass filled thermoset compounds (will not melt) for high strength and dependability. The color coded panels will withstand ambient temperatures to 400°F (205°C) continuous and 500°F (260°C) intermittent. High-Temperature panels (All Hi-Temp panels are color coded red) will withstand ambient temperatures to 800°F (425°C) continuous and 1000°F (540°C) intermittent.
- 1211/1311 Mini 3-Pole Jacks slide and lock in strippanel frame.

| CALIB. MARK              | INSERT MAT'L. ALLOY |            |            | COLOR CODE |
|--------------------------|---------------------|------------|------------|------------|
|                          | POSITIVE            | NEGATIVE   | GROUND     |            |
| J                        | IRON                | CONSTANTAN | COPPER     | BLACK      |
| T                        | COPPER              | CONSTANTAN | COPPER     | BLUE       |
| K                        | CHROMEL™            | ALUMEL™    | COPPER     | YELLOW     |
| N                        | NICROSIL            | NISIL      | COPPER     | ORANGE     |
| R                        | COPPER              | #11 ALLOY  | COPPER     | GREEN      |
| S                        | COPPER              | #11 ALLOY  | COPPER     | GREEN      |
| E                        | CHROMEL™            | CONSTANTAN | COPPER     | VIOLET     |
| U                        | COPPER              | COPPER     | COPPER     | WHITE      |
| C                        | #405 ALLOY          | #426 ALLOY | COPPER     | BROWN      |
| 1,2,3*                   | (2) COPPER          | (3) COPPER | (1) COPPER | WHITE      |
| (ALL HI-TEMP CONNECTORS) |                     |            |            | RED        |

\*for RTD 3-wire applications



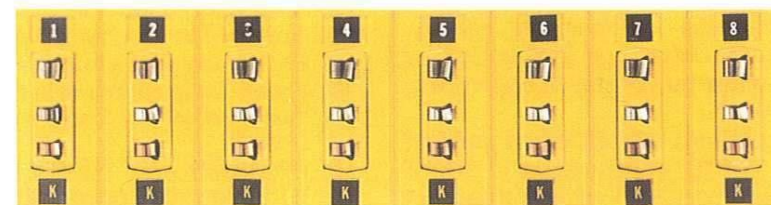
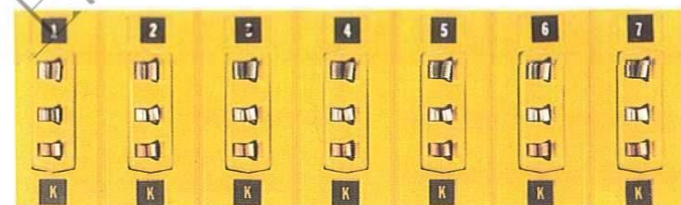
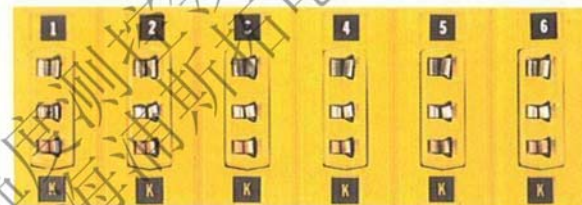
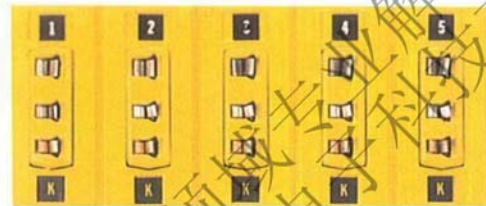
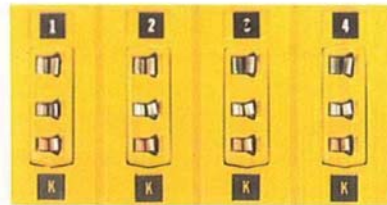
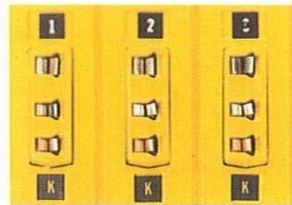
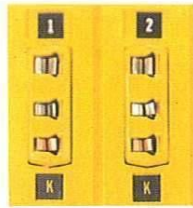
MANUFACTURING CORPORATION 12404 TRISKETT ROAD CLEVELAND, OHIO 44111

(216) 941-6200

FAX: (216) 941-6207

# THERMOCOUPLE CONNECTORS MINI 3-POLE STRIPANEL®

| MINI 3-POLE<br>HI-TEMP 3-POLE |         |                   |
|-------------------------------|---------|-------------------|
| PART NUMBER                   | \$/EACH | DISCOUNT SCHEDULE |
| 1437-2-(X)                    |         | A                 |
| 1537-2-(X)                    |         | B                 |
| 1437-3-(X)                    |         | A                 |
| 1537-3-(X)                    |         | B                 |
| 1437-4-(X)                    |         | A                 |
| 1537-4-(X)                    |         | B                 |
| 1437-5-(X)                    |         | A                 |
| 1537-5-(X)                    |         | B                 |
| 1437-6-(X)                    |         | A                 |
| 1537-6-(X)                    |         | B                 |
| 1437-7-(X)                    |         | A                 |
| 1537-7-(X)                    |         | B                 |
| 1437-8-(X)                    |         | A                 |
| 1537-8-(X)                    |         | B                 |



### TO ORDER:

- 1) Give Strippanel No. 1437 - 8 - K
- 2) Specify No. of Circuits  $\rightarrow$
- 3) Specify T/C Type by Code  $\rightarrow$
- 4) For Vertical Strippanels Add Suffix "V" eg. 1437 - 8 - K - V
- 5) For High-Temp Strippanels: 1537 - 8 - K
- 6) Availability: J,K,T,N,E,R,S,U,RTD; also "C" EXCEPT ADD \$1.50 to circuit price with maximum .75 discount factor for regular or hi-temp.

| DISCOUNT SCHEDULE "A" |        |
|-----------------------|--------|
| QUANTITY*             | FACTOR |
| 1-14                  | NET    |
| 15-49                 | .90    |
| 50-99                 | .85    |
| 100-249               | .80    |
| 250-499               | .75    |
| 500-999               | .70    |
| 1000-1999             | .65    |
| 2000+                 | .60    |

\*No. of circuits

| DISCOUNT SCHEDULE "B" |        |
|-----------------------|--------|
| QUANTITY*             | FACTOR |
| 1-14                  | NET    |
| 15-49                 | .90    |
| 50-99                 | .85    |
| 100-249               | .80    |
| 250+                  | .75    |

\*No. of circuits

| THERMOCOUPLE TYPE | COLOR CODE |
|-------------------|------------|
| T                 | BLUE       |
| J                 | BLACK      |
| E                 | VIOLET     |
| K                 | YELLOW     |
| N                 | ORANGE     |
| S                 | GREEN      |
| R                 | GREEN      |
| C                 | BROWN      |
| U                 | WHITE      |
| ALL HI-TEMP       | RED        |

(X) - TYPE DESIGNATION



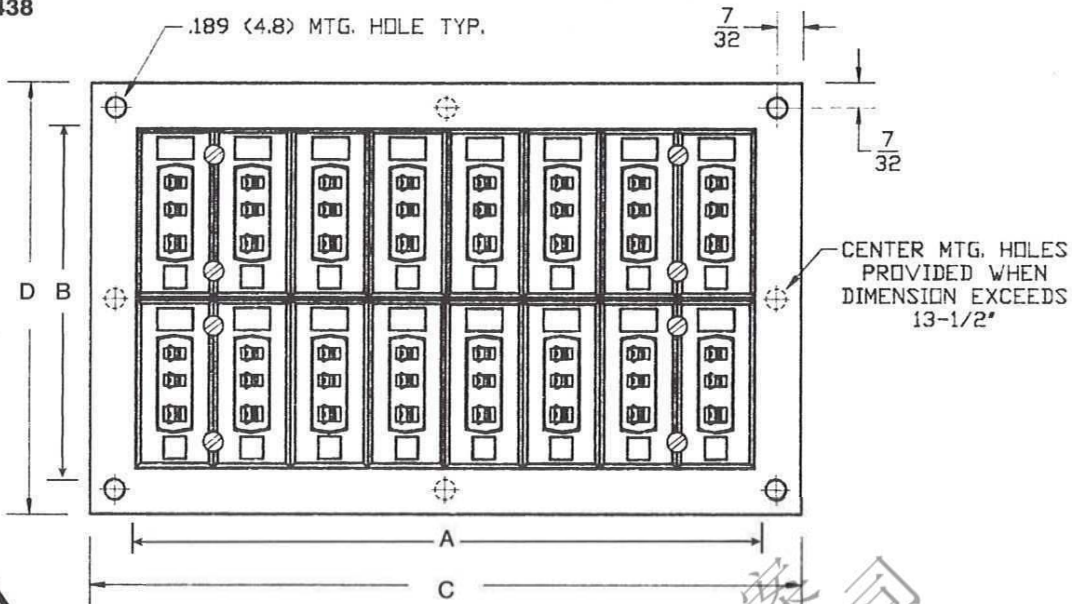
MANUFACTURING CORPORATION 12404 TRISKETT ROAD CLEVELAND, OHIO 44111

(216) 941-6200

FAX: (216) 941-6207

# CONNECTORS MINI 3-POLE STRIPANEL® WITH MOUNTING FRAME

Code Number 1438



| NUMBER OF ROWS       | NUMBER OF CIRCUITS PER ROW |                    |                  |                    |                   |                     |                   |                    |                   |                    |                    |                     |                     |                     |                     |                    | D<br>FRAME<br>HEIGHT | B<br>CUTOUT<br>HEIGHT | PRICE<br>1438  | HI-TEMP<br>PRICE<br>1538 |                 |   |   |  |  |  |  |  |  |  |  |  |  |  |  |
|----------------------|----------------------------|--------------------|------------------|--------------------|-------------------|---------------------|-------------------|--------------------|-------------------|--------------------|--------------------|---------------------|---------------------|---------------------|---------------------|--------------------|----------------------|-----------------------|----------------|--------------------------|-----------------|---|---|--|--|--|--|--|--|--|--|--|--|--|--|
|                      | 2                          | 3                  | 4                | 5                  | 6                 | 7                   | 8                 | 9                  | 10                | 11                 | 12                 | 13                  | 14                  | 15                  | 16                  |                    |                      |                       |                |                          |                 |   |   |  |  |  |  |  |  |  |  |  |  |  |  |
| 1                    | 2                          | 3                  | 4                | 5                  | 6                 | 7                   | 8                 | 9                  | 10                | 11                 | 12                 | 13                  | 14                  | 15                  | 16                  | 2 1/4"<br>(57mm)   | 1 5/8"<br>(41mm)     | per<br>circuit        | per<br>circuit |                          |                 |   |   |  |  |  |  |  |  |  |  |  |  |  |  |
| 2                    | 4                          | 6                  | 8                | 10                 | 12                | 14                  | 16                | 18                 | 20                | 22                 | 24                 | 26                  | 28                  | 30                  | 32                  | 3 1/8"<br>(97mm)   | 3 3/8"<br>(81mm)     |                       |                | Disc.<br>Sched.          | Disc.<br>Sched. |   |   |  |  |  |  |  |  |  |  |  |  |  |  |
| 3                    | 6                          | 9                  | 12               | 15                 | 18                | 21                  | 24                | 27                 | 30                | 33                 | 36                 | 39                  | 42                  | 45                  | 48                  | 5 3/8"<br>(137mm)  | 4 3/4"<br>(121mm)    |                       |                |                          |                 | A | B |  |  |  |  |  |  |  |  |  |  |  |  |
| 4                    | 8                          | 12                 | 16               | 20                 | 24                | 28                  | 32                | 36                 | 40                | 44                 | 48                 | 52                  | 56                  | 60                  | 64                  | 6 1/8"<br>(176mm)  | 6 5/8"<br>(160mm)    |                       |                |                          |                 |   |   | Other arrangements<br>available—Consult<br>Factory |  |  |  |  |  |  |  |  |  |  |  |
| 5                    | 10                         | 15                 | 20               | 25                 | 30                | 35                  | 40                | 45                 | 50                | 55                 | 60                 | 65                  | 70                  | 75                  | 80                  | 8 1/2"<br>(216mm)  | 7 7/8"<br>(200mm)    |                       |                |                          |                 |   |   |  |  |  |  |  |  |  |  |  |  |  |  |
| 6                    | 12                         | 18                 | 24               | 30                 | 36                | 42                  | 48                | 54                 | 60                | 66                 | 72                 | 78                  | 84                  | 90                  | 96                  | 10 1/8"<br>(256mm) | 9 7/8"<br>(240mm)    |                       |                |                          |                 |   |   |  |  |  |  |  |  |  |  |  |  |  |  |
| 7                    | 14                         | 21                 | 28               | 35                 | 42                | 49                  | 56                | 63                 | 70                | 77                 | 84                 | 91                  | 98                  | 105                 | 112                 | 11 5/8"<br>(295mm) | 11"<br>(280mm)       |                       |                |                          |                 |   |   |  |  |  |  |  |  |  |  |  |  |  |  |
| 8                    | 16                         | 24                 | 32               | 40                 | 48                | 56                  | 64                | 72                 | 80                | 88                 | 96                 | 104                 | 112                 | 120                 | 128                 | 13 3/8"<br>(335mm) | 12 5/8"<br>(319mm)   |                       |                |                          |                 |   |   |  |  |  |  |  |  |  |  |  |  |  |  |
| 9                    | 18                         | 27                 | 36               | 45                 | 54                | 63                  | 72                | 81                 | 90                | 99                 | 108                | 117                 | 126                 | 135                 | 144                 | 14 3/4"<br>(375mm) | 14 1/8"<br>(359mm)   |                       |                |                          |                 |   |   |  |  |  |  |  |  |  |  |  |  |  |  |
| 10                   | 20                         | 30                 | 40               | 50                 | 60                | 70                  | 80                | 90                 | 100               | 110                | 120                | 130                 | 140                 | 150                 | 160                 | 16 7/8"<br>(418mm) | 15 1/8"<br>(402mm)   |                       |                |                          |                 |   |   |  |  |  |  |  |  |  |  |  |  |  |  |
| C<br>FRAME<br>WIDTH  | 2 1/4"<br>(58mm)           | 2 15/16"<br>(75mm) | 3 5/8"<br>(92mm) | 4 9/16"<br>(110mm) | 5"<br>(127mm)     | 5 1/8"<br>(145mm)   | 6 3/8"<br>(162mm) | 7 1/4"<br>(180mm)  | 8 1/8"<br>(197mm) | 9 1/8"<br>(215mm)  | 10 1/8"<br>(232mm) | 11 1/8"<br>(250mm)  | 12 1/8"<br>(267mm)  | 13 1/8"<br>(285mm)  | 14 1/8"<br>(302mm)  |                    |                      |                       |                |                          |                 |   |   |  |  |  |  |  |  |  |  |  |  |  |  |
| A<br>CUTOUT<br>WIDTH | 1 3/8"<br>(35mm)           | 2 1/16"<br>(55mm)  | 2 3/4"<br>(70mm) | 3 7/16"<br>(88mm)  | 4 1/4"<br>(106mm) | 4 13/16"<br>(123mm) | 5 1/2"<br>(140mm) | 6 3/16"<br>(158mm) | 7 3/8"<br>(175mm) | 8 1/16"<br>(192mm) | 9 1/8"<br>(210mm)  | 10 1/16"<br>(227mm) | 11 1/16"<br>(245mm) | 12 1/16"<br>(262mm) | 13 1/16"<br>(280mm) |                    |                      |                       |                |                          |                 |   |   |  |  |  |  |  |  |  |  |  |  |  |  |

- Strippanels with mounting frames can accommodate virtually any number of circuits.
- One-piece mounting frame is made of 3/32" thick rigid steel with flat black finish.
- For specifications see Strippanel 1437 section.
- For frame sizes other than those in table consult Factory.
- Horizontal rows are assumed unless specified vertical by the suffix "V" which are numbered from top to bottom: e.g. 1438 - 4 x 12 - 48 - K - V.
- Strippanels with mounting frames will withstand ambient temperatures of 400°F (205°C) continuous and 500°F (260°C) intermittent. Hi-Temp panels will withstand ambient temperatures to 800°F (425°C) continuous and 1000°F (540°C) intermittent.

### TO ORDER:

- 1) Give Strippanel No. 1438 - 4 x 12 - 48 - K
- 2) Specify No. of Horizontal Rows 4
- 3) Specify No. of Circuits per Row 12
- 4) Give Total Number of Circuits 48
- 5) Specify Thermocouple Type Code K
- 6) For Vertical Rows Add Suffix "V", e.g. 1438-4x12-48-K-V
- 7) For Hi-Temp Strippanel In Frame: 1538-4x12-48-K  
\*(Use discount schedule on next page for strippanels with mounting frames.)
- 8) Availability: J,K,T,N,E,R,S,U,RTD; also "C" EXCEPT ADD \$1.50 to circuit price with maximum .75 discount factor for regular or hi-temp.



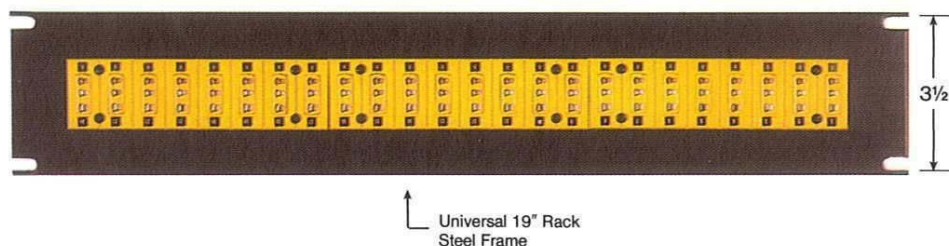
MANUFACTURING CORPORATION 12404 TRISKETT ROAD CLEVELAND, OHIO 44111

(216) 941-6200

FAX: (216) 941-6207

# CONNECTORS MINI 3-POLE — 19" RACK-MOUNTED STRIPANEL®

Code Number 1441



- Universal 19" Rack accepts 2 to 24 circuits of 1437 Stripanels.
- Circuits can be added in the field without changing frame.
- 19" Rack Frame is made of sturdy 10 ga. steel that will not flex in use. Standard frame is flat black, High-Temp frame is bright silver finish.
- Thermocouple type and circuit numbers are marked on face of Stripanel and polarity identification on the back. Stripanels are numbered starting from "1" unless specified otherwise.
- Stripanels are molded of glass filled thermoset compounds (will not melt) for high strength and dependability. The color coded panels will withstand ambient temperatures to 400°F (205°C) continuous and 500°F (260°C) intermittent. High-Temperature panels (All Hi-Temp panels are color-coded red) will withstand ambient temperatures to 800°F (425°C) continuous and 1000°F (540°C) intermittent.
- For corrosive applications, gold plated inserts are available. Caution — system errors can result from use of plated contacts if significant thermal gradients exist at connector.

### TO ORDER:

- 1) Give Stripanel No. → 1441 - 24 - K
- 2) Specify No. of circuits ↑
- 3) Specify Thermocouple Type by Code ↑
- 4) For Hi-Temp Stripanel: 1441 - 24 - K

### Price

Standard 1441 Frame & Stripanel  
 1441 Std. Frame @ \$50.  
 Std. Circuits @ \$6.50/circuit, discount sched. "A" applies  
 Hi-Temp Frame & Stripanel  
 1541 @ \$60.  
 Hi-Temp Circuits @ \$10./circuit, discount sched. "B" applies

### Example:

|                                |               |
|--------------------------------|---------------|
| 1441 - 24 Frame                | \$50.         |
| (24) Std. Circuits @ \$6.50    | 156.          |
| <b>Total Price (1437 - 24)</b> | <b>\$206.</b> |

| TYPE CODE                | INSERT MAT'L. ALLOY |            |            | COLOR CODE |
|--------------------------|---------------------|------------|------------|------------|
|                          | POSITIVE            | NEGATIVE   | GROUND     |            |
| J                        | IRON                | CONSTANTAN | COPPER     | BLACK      |
| T                        | COPPER              | CONSTANTAN | COPPER     | BLUE       |
| K                        | CHROMEL™            | ALUMEL™    | COPPER     | YELLOW     |
| N                        | NICROSIL            | NISIL      | COPPER     | ORANGE     |
| R                        | COPPER              | #11 ALLOY  | COPPER     | GREEN      |
| S                        | COPPER              | #11 ALLOY  | COPPER     | GREEN      |
| E                        | CHROMEL™            | CONSTANTAN | COPPER     | VIOLET     |
| U                        | COPPER              | COPPER     | COPPER     | WHITE      |
| C†                       | #405 ALLOY          | #426 ALLOY | COPPER     | BROWN      |
| 1,2,3*                   | (2) COPPER          | (3) COPPER | (1) COPPER | WHITE      |
| (ALL HI-TEMP CONNECTORS) |                     |            |            | RED        |

\*for RTD 3-wire applications

† For type "C" add \$1.50 per circuit to list price. Schedule "B" discount applies for regular or high temp.

Gold plated inserts are available at \$1.50 per circuit added to list price. Use suffix "G" (i.e. 1441-24-K-G).

| DISCOUNT SCHEDULE "A" |        |
|-----------------------|--------|
| QUANTITY              | FACTOR |
| 1-14                  |        |
| 15-49                 |        |
| 50-99                 |        |
| 100-249               |        |
| 250-499               |        |
| 500-999               |        |
| 1000-1999             |        |
| 2000+                 |        |

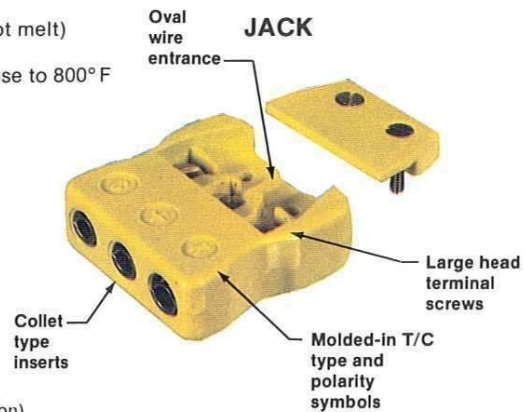
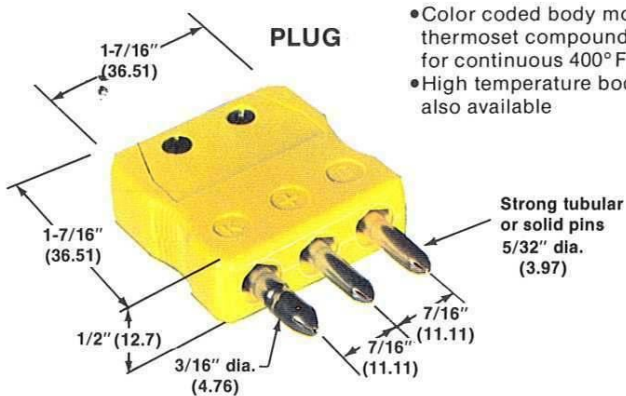
| DISCOUNT SCHEDULE "B" |        |
|-----------------------|--------|
| QUANTITY              | FACTOR |
| 1-14                  |        |
| 15-49                 |        |
| 50-99                 |        |
| 100-249               |        |
| 250+                  |        |



MANUFACTURING CORPORATION 12404 TRISKETT ROAD CLEVELAND, OHIO 44111 FAX: (216) 941-6207

(216) 941-6200

# CONNECTORS FULL SIZE — 3-POLE



(Millimeter dimension)

- Color coded body molded of thermoset compounds (will not melt) for continuous 400°F use.
- High temperature bodies for use to 800°F also available

| FULL SIZE 3-POLE |           |                |                   |
|------------------|-----------|----------------|-------------------|
| CODE NO.         | PRICE EA. | DESCRIPTION    | DISCOUNT SCHEDULE |
| 1061 - *         |           | 3 Pole Plug    | A                 |
| 1051 - †         |           | Solid Pin Plug |                   |
| 1011 - *         |           | 3 Pole Jack    |                   |

| FULL SIZE HIGH-TEMPERATURE 3-POLE |           |                   |            |                   |
|-----------------------------------|-----------|-------------------|------------|-------------------|
| CODE NO.                          | PRICE EA. | DESCRIPTION       | COLOR CODE | DISCOUNT SCHEDULE |
| 1161 - *                          |           | HT 3 Pole Plug    | RED        | B                 |
| 1151 - †                          |           | HT Solid Pin Plug |            |                   |
| 1111 - *                          |           | HT 3 Pole Jack    |            |                   |

\*-Tubular Pin Availability: J,K,T,N,E,R,S,U,RTD; also "C" EXCEPT ADD \$1.50 to price of plug or jack with maximum .75 discount factor for regular or hi-temp.  
†-Solid Pin Availability: J,K,T,E,R,S,U,RTD.

- 3-Pole Connector plugs and jacks are made to exacting specifications to provide rapid, dependable connections between thermocouples and extension wires, with ground wires an integral part of the system. Also ideal for 3-wire RTD applications.
- Alloys of prongs and inserts match ANSI calibrations to maintain sensing accuracy. Alloy, polarity and ground are identified by symbols molded into body.
- Connector bodies molded of glass filled thermoset compounds (will not melt) for high strength and dependability. The color coded Connectors will withstand ambient temperatures to 400°F (205°C) continuous and 500°F (260°C) intermittent. High-temperature Connectors (All Hi-Temp Connectors are color coded red) will withstand ambient temperatures to 800°F (425°C) continuous and 1000°F (540°C) intermittent.
- Inserts are spring loaded collet type to assure positive full contact with the negative insert larger making it virtually impossible to mismatch.

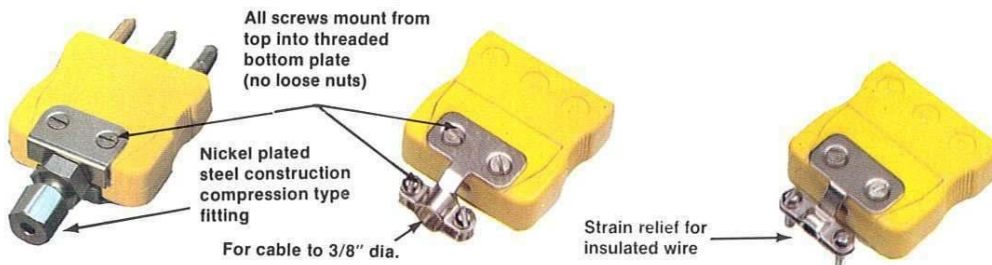
- For corrosive applications, gold or nickel plated prongs and inserts are available. Caution — system errors can result from use of plated contacts if significant thermal gradients exist at connector.

For gold plating use suffix "G" (i.e. 1061-K-G) @ \$1.50 add to list.  
For nickel plating use suffix "P" (i.e. 1061-K-P) @ \$0.75 add to list.

| TYPE CODE                | INSERT MAT'L. ALLOY |            |            | COLOR CODE |
|--------------------------|---------------------|------------|------------|------------|
|                          | POSITIVE            | NEGATIVE   | GROUND     |            |
| J                        | IRON                | CONSTANTAN | COPPER     | BLACK      |
| T                        | COPPER              | CONSTANTAN | COPPER     | BLUE       |
| K                        | CHROMEL™            | ALUMEL™    | COPPER     | YELLOW     |
| N                        | NICROSIL            | NISIL      | COPPER     | ORANGE     |
| R                        | COPPER              | #11 ALLOY  | COPPER     | GREEN      |
| S                        | COPPER              | #11 ALLOY  | COPPER     | GREEN      |
| E                        | CHROMEL™            | CONSTANTAN | COPPER     | VIOLET     |
| U                        | COPPER              | COPPER     | COPPER     | WHITE      |
| C                        | #405 ALLOY          | #426 ALLOY | COPPER     | BROWN      |
| 1,2,3*                   | (2) COPPER          | (3) COPPER | (1) COPPER | WHITE      |
| (ALL HI-TEMP CONNECTORS) |                     |            |            | RED        |

\*for RTD 3-wire applications

## MOUNTING HARDWARE



| CODE NO. | PRICE EA. | DISC. SCH. |
|----------|-----------|------------|
| 1072-*   |           | B          |

| CODE NO. | PRICE EA. | DISC. SCH. |
|----------|-----------|------------|
| 1082     |           | B          |

| CODE NO. | PRICE EA. | DISC. SCH. |
|----------|-----------|------------|
| 1086     |           | B          |

Specify T/C Sheath Dia: Blank, .040", .062", .125", .187", .250", .312", .375"  
\*Code: 000, 040, 062, 125, 187, 250, 312, 375  
No nut or ferrule

| DISCOUNT SCHEDULE "A" |        |
|-----------------------|--------|
| QUANTITY              | FACTOR |
| 1-14                  |        |
| 15-49                 |        |
| 50-99                 |        |
| 100-249               |        |
| 250-499               |        |
| 500-999               |        |
| 1000-1999             |        |
| 2000+                 |        |

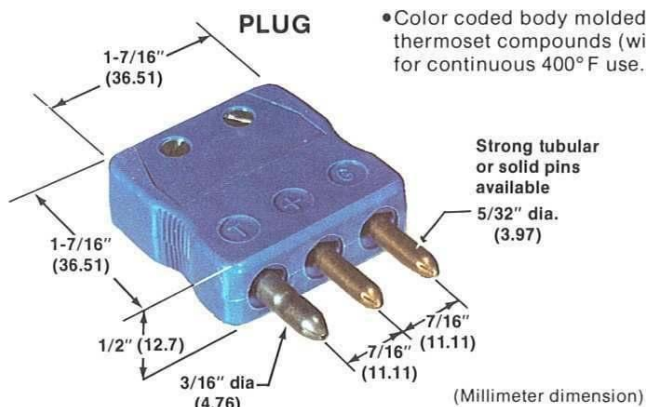
| DISCOUNT SCHEDULE "B" |        |
|-----------------------|--------|
| QUANTITY              | FACTOR |
| 1-14                  |        |
| 15-49                 |        |
| 50-99                 |        |
| 100-249               |        |
| 250+                  |        |



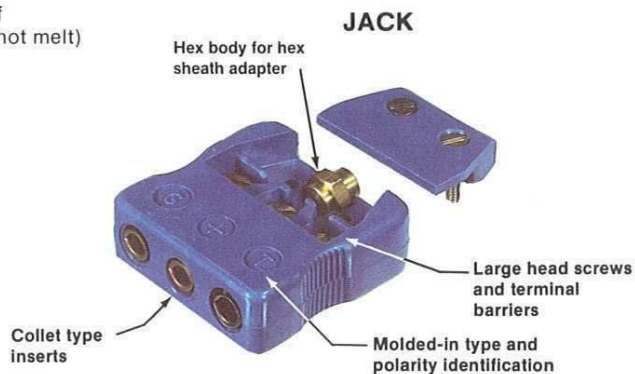
MANUFACTURING CORPORATION 12404 TRISKETT ROAD CLEVELAND, OHIO 44111

(216) 941-6200  
FAX: (216) 941-6207

# CONNECTORS FULL SIZE — 3-POLE — HEX BODY



• Color coded body molded of thermoset compounds (will not melt) for continuous 400° F use.



| FULL SIZE 3-POLE — HEX BODY |            |                |              |
|-----------------------------|------------|----------------|--------------|
| CODE NO.                    | PRICE EACH | DESCRIPTION    | DISC. SCHED. |
| 1067 - *                    |            | 3 Pole Plug    |              |
| 1057 - †                    |            | Solid Pin Plug |              |
| 1017 - *                    |            | 3 Pole Jack    |              |

| HIGH-TEMPERATURE 3 POLE — HEX BODY  |            |             |
|---|------------|-------------|
| CODE NO.  | PRICE EACH | DESCRIPTION |
| Hex Body Connectors are not available in high temperature use regular connectors for this application |            |             |

- 3-Pole Connector plugs and jacks are made to exacting specifications to provide rapid, dependable connections between thermocouples and extension wires, with ground wires an integral part of the system. Also ideal for 3-wire RTD applications.
- Alloys of prongs and inserts match ANSI calibrations to maintain sensing accuracy. Alloy, polarity and ground are identified by symbols molded into body.
- Connector bodies molded of glass filled thermoset compounds (will not melt) for high strength and dependability. The color coded Connectors will withstand ambient temperatures to 400° F (205° C) continuous and 500° F (260° C) intermittent.
- Inserts are spring loaded collet type to assure positive full contact with the negative insert larger making it virtually impossible to mismatch.
- For corrosive applications, gold or nickel plated prongs and inserts are available. Caution — system errors can result from use of plated contacts if significant thermal gradients exist at connector.

For gold plating use suffix "G" (i.e. 1061-K-G) @ \$1.50 add to list.  
For nickel plating use suffix "P" (i.e. 1061-K-P) @ \$0.75 add to list.

\* - Tubular Pin Availability: J,K,T,N,E,R,S,U, RTD; for "C" type add \$1.50 to price of plug or jack with maximum .75 discount factor for regular or hi-temp. Discount schedule "B" applies.  
† - Solid Pin Availability: J,K,T,E,R,S,U,RTD.  
1 - Braze-on adapters can be ordered with connector at no extra charge - Specify sheath size  
2 - Crimp-on adapters must be ordered separately

| TYPE CODE | INSERT MAT'L. ALLOY |            |            | COLOR CODE |
|-----------|---------------------|------------|------------|------------|
|           | POSITIVE            | NEGATIVE   | GROUND     |            |
| V         | IRON                | CONSTANTAN | COPPER     | BLACK      |
| T         | COPPER              | CONSTANTAN | COPPER     | BLUE       |
| K         | CHROMEL™            | ALUMEL™    | COPPER     | YELLOW     |
| N         | NICROSIL            | NISIL      | COPPER     | ORANGE     |
| R         | COPPER              | #11 ALLOY  | COPPER     | GREEN      |
| S         | COPPER              | #11 ALLOY  | COPPER     | GREEN      |
| E         | CHROMEL™            | CONSTANTAN | COPPER     | VIOLET     |
| U         | COPPER              | COPPER     | COPPER     | WHITE      |
| C         | #405 ALLOY          | #426 ALLOY | COPPER     | BROWN      |
| 1,2,3*    | (2) COPPER          | (3) COPPER | (1) COPPER | WHITE      |

\*for RTD 3-wire applications

| BRAZE ADAPTER |            |              |
|---------------|------------|--------------|
| CODE NO.      | PRICE EACH | DISC. SCHED. |
| 1077-*        |            | A            |

Specify Size: Blank, .040", .062", .090", .125", .187", .250"  
\*Code: 000, 040, 062, 090, 125, 187, 250,  
Can be included w/Connector at no extra charge

| HEX-CRIMP ADAPTER |            |              |
|-------------------|------------|--------------|
| CODE NO.          | PRICE EACH | DISC. SCHED. |
| 1075-*            |            | A            |

Specify Size: Blank, .040", .062", .125", .187"  
\*Code: 000, 040, 062, 125, 187  
Cannot be included w/Connector price

| NEOPRENE WIRE GRIP BUSHING |            |              |
|----------------------------|------------|--------------|
| CODE NO.                   | PRICE EACH | DISC. SCHED. |
| 1079                       |            | A            |

One included with each connector at no extra charge

### MOUNTING HARDWARE



(Power crimping equipment recommended.)

| DISCOUNT SCHEDULE "A" |        |
|-----------------------|--------|
| QUANTITY              | FACTOR |
| 1-14                  |        |
| 15-49                 |        |
| 50-99                 |        |
| 100-249               |        |
| 250-499               |        |
| 500-999               |        |
| 1000-1999             |        |
| 2000+                 |        |

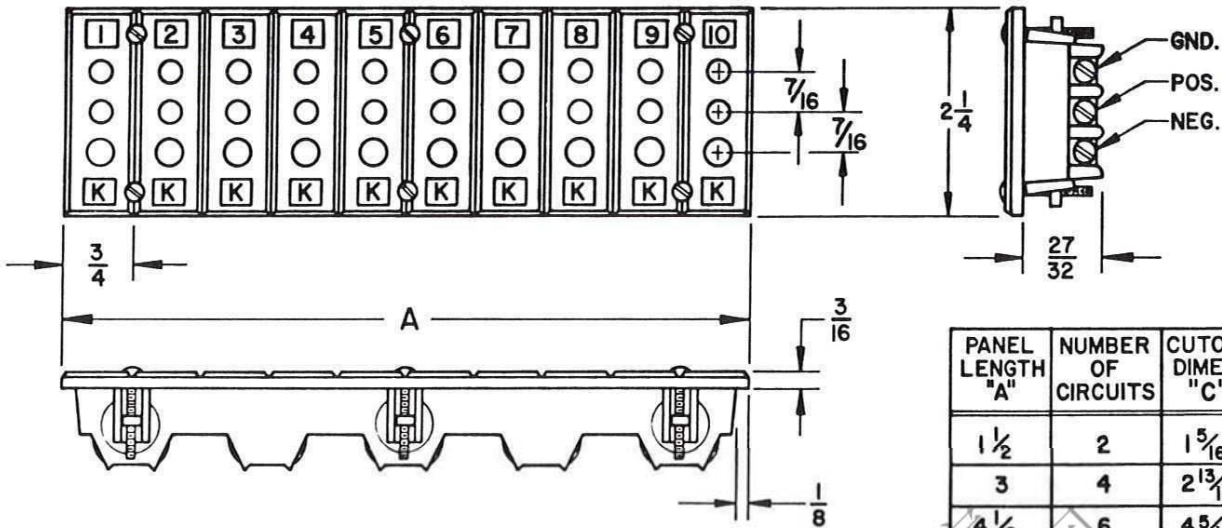


MANUFACTURING CORPORATION 12404 TRISKETT ROAD CLEVELAND, OHIO 44111

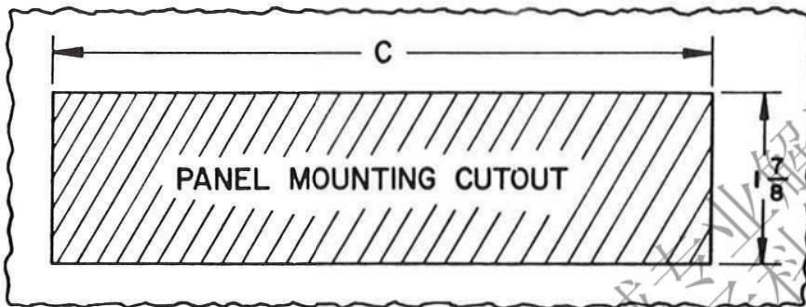
(216) 941-6200  
FAX: (216) 941-6207

# CONNECTORS FULL SIZE — 3-POLE STRIPANEL®

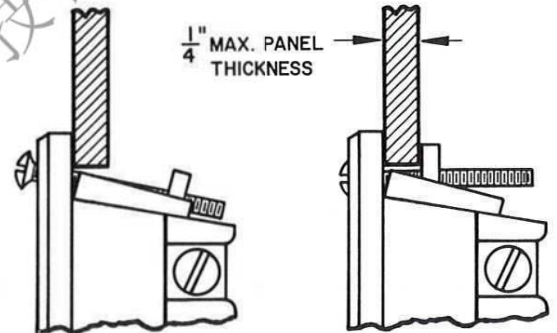
Catalog Number 1034



| PANEL LENGTH "A" | NUMBER OF CIRCUITS | CUTOUT DIMEN. "C" |
|------------------|--------------------|-------------------|
| 1 1/2            | 2                  | 1 5/16            |
| 3                | 4                  | 2 13/16           |
| 4 1/2            | 6                  | 4 5/16            |
| 6                | 8                  | 5 13/16           |
| 7 1/2            | 10                 | 7 5/16            |
| 9                | 12                 | 8 13/16           |



### SELF-CONTAINED FASTENING DEVICE



Ready for installation, T-nuts are out of the way at bottom of track.

**COMPLETELY FRONT FASTENING**  
Screws accessible from the front draw T-nuts up metal track and hold them tight against back wall.

- Strippanels available 2 to 12 circuits in even number of circuits.
- Color Coded.
- For cutouts - does not require mounting frame or holes.
- Strippanels can be wired and installed completely from front. Patented self-contained fastening device, "T-Nut", is permanently attached, simplifies mounting, holds tight. Patent No. 3046516.
- Thermocouple type and circuit numbers are marked on face of Strippanel and polarity identification on the back. Strippanels are numbered starting from "1" unless specified otherwise.
- Strippanels are molded of glass filled thermoset compounds (will not melt) for high strength and dependability. The color coded panels will withstand ambient temperatures to 400°F (205°C) continuous and 500°F (260°C) intermittent. High-Temperature panels (All Hi-Temp panels are color coded red) will withstand ambient temperatures to 800°F (425°C) continuous and 1000°F (540°C) intermittent.
- Inserts are spring loaded collet type to assure positive full contact with the negative insert larger making it virtually impossible to mismatch.
- For corrosive applications, gold plated inserts are available. Caution — system errors can result from use of plated contacts if significant thermal gradients exist at connector.

| TYPE CODE                | INSERT MAT'L. ALLOY |            |        | COLOR CODE |
|--------------------------|---------------------|------------|--------|------------|
|                          | POSITIVE            | NEGATIVE   | GROUND |            |
| J                        | IRON                | CONSTANTAN | COPPER | BLACK      |
| T                        | COPPER              | CONSTANTAN | COPPER | BLUE       |
| K                        | CHROMEL™            | ALUMEL™    | COPPER | YELLOW     |
| N                        | NICROSIL            | NISIL      | COPPER | ORANGE     |
| R                        | COPPER              | #11 ALLOY  | COPPER | GREEN      |
| S                        | COPPER              | #11 ALLOY  | COPPER | GREEN      |
| E                        | CHROMEL™            | CONSTANTAN | COPPER | VIOLET     |
| U                        | COPPER              | COPPER     | COPPER | WHITE      |
| C                        | #405 ALLOY          | #426 ALLOY | COPPER | BROWN      |
| (ALL HI-TEMP CONNECTORS) |                     |            |        | RED        |



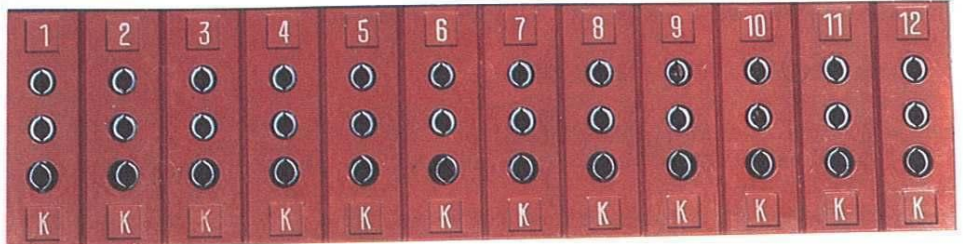
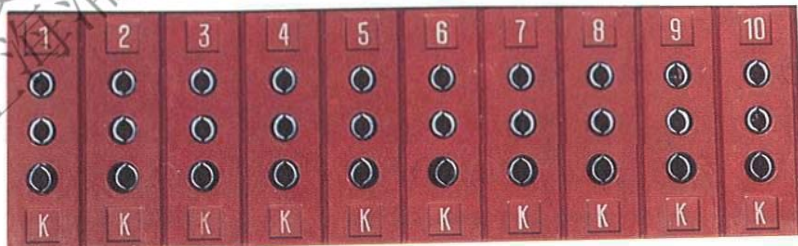
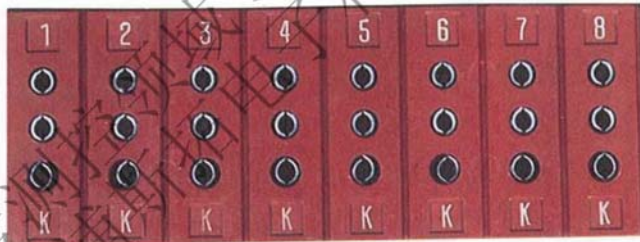
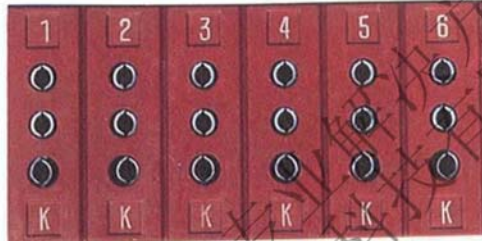
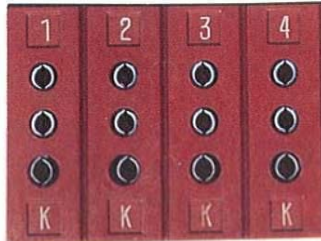
MANUFACTURING CORPORATION 12404 TRISKETT ROAD CLEVELAND, OHIO 44111 FAX: (216) 941-6207

(216) 941-6200



# CONNECTORS FULL SIZE — 3-POLE STRIPANEL®

| STANDARD 3-POLE/<br>HI-TEMP 3-POLE |       |                   |
|------------------------------------|-------|-------------------|
| CODE NUMBER                        | PRICE | DISCOUNT SCHEDULE |
| 1034-2-(*)                         |       | A                 |
| 1134-2-(*)                         |       | B                 |
| 1034-4-(*)                         |       | A                 |
| 1134-4-(*)                         |       | B                 |
| 1034-6-(*)                         |       | A                 |
| 1134-6-(*)                         |       | B                 |
| 1034-8-(*)                         |       | A                 |
| 1134-8-(*)                         |       | B                 |
| 1034-10-(*)                        |       | A                 |
| 1134-10-(*)                        |       | B                 |
| 1034-12-(*)                        |       | A                 |
| 1134-12-(*)                        |       | B                 |



**TO ORDER:**

- 1) Give Stripanel No. 1034 - 8 - K
- 2) Specify No. of Circuits  $\uparrow$
- 3) Specify T/C Type by Code  $\uparrow$
- 4) For Vertical Strippanels Add Suffix "V" eg. 1034 - 8 - K - V
- 5) For High-Temp Strippanels: 1134 - 8 - K
- 6) Availability: J,K,T,N,E,R,S,U, also "C" EXCEPT ADD \$1.50 to circuit price with maximum .75 discount factor for regular or hi-temp.
- 7) Gold plated inserts are available at \$1.50 per circuit added to list price. Use suffix "G" (i.e. 1034-6-K-G).

Hi-Temp Strippanels are as shown color coded "RED"  
Standard 3-Pole Panels are color coded (See Page 13)

| DISCOUNT SCHEDULE "A" |        |
|-----------------------|--------|
| QUANTITY              | FACTOR |
| 1-14                  |        |
| 15-49                 |        |
| 50-99                 |        |
| 100-249               |        |
| 250-499               |        |
| 500-999               |        |
| 1000-1999             |        |
| 2000+                 |        |

| DISCOUNT SCHEDULE "B" |        |
|-----------------------|--------|
| QUANTITY              | FACTOR |
| 1-14                  |        |
| 15-49                 |        |
| 50-99                 |        |
| 100-249               |        |
| 250+                  |        |

\*TYPE CODE

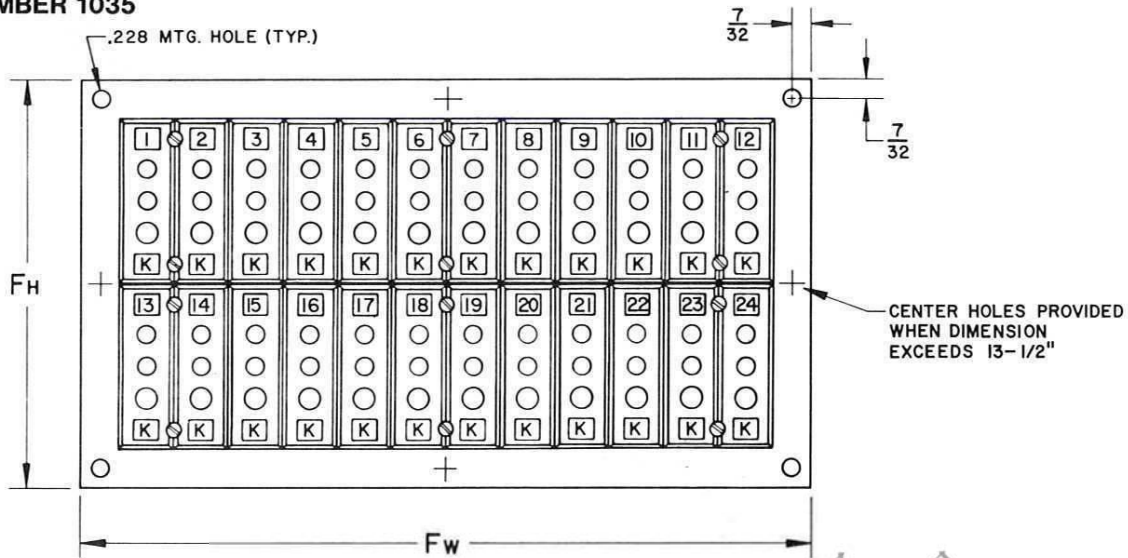


MANUFACTURING CORPORATION 12404 TRISKETT ROAD CLEVELAND, OHIO 44111

(216) 941-6200  
FAX: (216) 941-6207

# CONNECTORS FULL SIZE — 3-POLE STRIPANEL® WITH MOUNTING FRAME

CODE NUMBER 1035



Dimension for Panel Assembly  
C<sub>H</sub> AND C<sub>W</sub> ARE MOUNTING CUTOUT DIMENSIONS

| NUMBER OF ROWS | F <sub>H</sub><br>C <sub>H</sub>                     | CIRCUITS PER ROW |    |    |    |     |     |     |     |     |     |     |     | PRICE (3-Pole)         |                        |
|----------------|--|------------------|----|----|----|-----|-----|-----|-----|-----|-----|-----|-----|------------------------|------------------------|
|                |  | 2                | 4  | 6  | 8  | 10  | 12  | 14  | 16  | 18  | 20  | 22  | 24  | Standard               | Hi-Temp                |
| 1              | F <sub>H</sub> = 3 1/4"<br>C <sub>H</sub> = 2 1/4"   | 2                | 4  | 6  | 8  | 10  | 12  | 14  | 16  | 18  | 20  | 22  | 24  | 1035<br>per<br>Circuit | 1135<br>per<br>Circuit |
| 2              | F <sub>H</sub> = 5 1/2"<br>C <sub>H</sub> = 4 1/2"   | 4                | 8  | 12 | 16 | 20  | 24  | 28  | 32  | 36  | 40  | 44  | 48  |                        |                        |
| 3              | F <sub>H</sub> = 7 3/4"<br>C <sub>H</sub> = 6 3/4"   | 6                | 12 | 18 | 24 | 30  | 36  | 42  | 48  | 54  | 60  | 66  | 72  |                        |                        |
| 4              | F <sub>H</sub> = 10"<br>C <sub>H</sub> = 9"          | 8                | 16 | 24 | 32 | 40  | 48  | 56  | 64  | 72  | 80  | 88  | 96  |                        |                        |
| 5              | F <sub>H</sub> = 12 1/4"<br>C <sub>H</sub> = 11 1/4" | 10               | 20 | 30 | 40 | 50  | 60  | 70  | 80  | 90  | 100 | 110 | 120 |                        |                        |
| 6              | F <sub>H</sub> = 14 1/2"<br>C <sub>H</sub> = 13 1/2" | 12               | 24 | 36 | 48 | 60  | 72  | 84  | 96  | 108 | 120 | 132 | 144 |                        |                        |
| 7              | F <sub>H</sub> = 16 3/4"<br>C <sub>H</sub> = 15 3/4" | 14               | 28 | 42 | 56 | 70  | 84  | 98  | 112 | 126 | 140 | 154 | 168 |                        |                        |
| 8              | F <sub>H</sub> = 19"<br>C <sub>H</sub> = 18"         | 16               | 32 | 48 | 64 | 80  | 96  | 112 | 128 | 144 | 160 | 176 | 192 |                        |                        |
| 9              | F <sub>H</sub> = 21 1/4"<br>C <sub>H</sub> = 20 1/4" | 18               | 36 | 54 | 72 | 90  | 108 | 126 | 144 | 162 | 180 | 198 | 216 |                        |                        |
| 10             | F <sub>H</sub> = 23 1/2"<br>C <sub>H</sub> = 22 1/2" | 20               | 40 | 60 | 80 | 100 | 120 | 140 | 160 | 180 | 200 | 220 | 240 |                        |                        |

- Strippanels with mounting frames can accommodate virtually any number of circuits.
- One-piece mounting frame is made of 3/32" thick rigid steel with flat black finish.
- For specifications see Strippanel 1034 section.
- For frame sizes other than those in table consult Factory.
- Horizontal rows are assumed unless specified vertical by the suffix "V" which are numbered from top to bottom: e.g. 1035 - 4 X 12 - 48 - K - V.
- Strippanels with mounting frames will withstand ambient temperatures of 400°F (205°C) continuous and 500°F (260°C) intermittent. Hi-Temp panels will withstand ambient temperatures to 800°F (425°C) continuous and 1000°F (540°C) intermittent.

**TO ORDER:**

1. Give Strippanel No. → 1035 - 4 X 12 - 48 - K
2. Specify No. of Horizontal Rows →
3. Specify No. of Circuits per Row →
4. Give Total Number of Circuits →
5. Specify Thermocouple Type Code →
6. For Vertical Rows Add Suffix "V"  
e.g. 1035 - 4 x 12 - 48 - K - V
7. For Hi-Temp Strippanel In Frame: e.g. 1135 - 4 x 12 - 48 - K
8. Availability: J,K,T,N,E,R,S,U, also "C" EXCEPT ADD \$1.50 to circuit price with maximum .75 discount factor for regular or Hi-Temp.
9. Gold plated inserts are available at \$1.00 per circuit added to list price. Use suffix "G" (i.e. 1035-4x12-48-K-G).

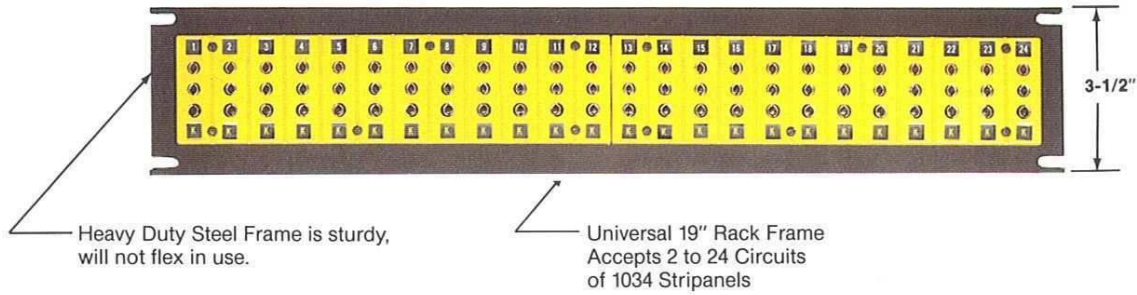


MANUFACTURING CORPORATION 12404 TRISKETT ROAD CLEVELAND, OHIO 44111 FAX: (216) 941-6207

(216) 941-6200

# CONNECTORS FULL SIZE — 3-POLE — 19" RACK — MOUNTED STRIPANEL®

CODE NUMBER 1042



- Universal 19" Rack accepts 2 to 24 circuits of 1034 Strippanels, less than 24 circuits are supplied with filler sections.
- Circuits can be added in the field without changing frame.
- 19" Rack Frame is made of sturdy 10 ga. steel that will not flex in use. Standard frame is flat black. High-Temp frame is bright silver finish.
- Thermocouple type and circuit numbers are marked on face of Strippanel and polarity identification on the back. Strippanels are numbered starting from "1" unless specified otherwise.
- Strippanels are molded of glass filled thermoset compounds (will not melt) for high strength and dependability. The color coded panels will withstand ambient temperatures to 400°F (205°C) continuous and 500°F (260°C) intermittent. High-Temperature panels (All Hi-Temp panels are color coded red) will withstand ambient temperatures to 800°F (425°C) continuous and 1000°F (540°C) intermittent.
- Inserts are spring loaded collet type to assure positive full contact with the negative insert larger making it virtually impossible to mismatch.
- For corrosive applications, gold plated inserts are available. Caution — system errors can result from use of plated contacts if significant thermal gradients exist at connector.

**TO ORDER:**

1. Give Strippanel No. 1042 - 24 - K
2. Specify number of circuits ↑
3. Specify Thermocouple Type by Code ↑
4. For Hi-Temp Strippanel: 1142 - 24 - K

**Price:**

Standard 1042 Frame & Strippanel  
 1042 Std. Frame @ \$50.  
 Std. Circuits @ \$7.50/circuit  
 Discount Schedule "A" applies  
 Hi-Temp Frame & Strippanel  
 1142 @ \$60.  
 Hi-Temp Circuits @ \$12.00/circuit  
 Discount Schedule "B" applies

**Example:**

|                              |              |
|------------------------------|--------------|
| 1042-24 Frame                | \$50         |
| (24) Std. Circuits @ \$7.50  | 180          |
| <b>Total Price (1041-24)</b> | <b>\$230</b> |

| TYPE CODE                | INSERT MAT'L ALLOY |            |        | COLOR CODE |
|--------------------------|--------------------|------------|--------|------------|
|                          | POSITIVE           | NEGATIVE   | GROUND |            |
| J                        | IRON               | CONSTANTAN | COPPER | BLACK      |
| T                        | COPPER             | CONSTANTAN | COPPER | BLUE       |
| K                        | CHROMEL™           | ALUMEL™    | COPPER | YELLOW     |
| N                        | NICROSIL           | NISIL      | COPPER | ORANGE     |
| R                        | COPPER             | #11 ALLOY  | COPPER | GREEN      |
| S                        | COPPER             | #11 ALLOY  | COPPER | GREEN      |
| E                        | CHROMEL™           | CONSTANTAN | COPPER | VIOLET     |
| U                        | COPPER             | COPPER     | COPPER | WHITE      |
| C*                       | #405 ALLOY         | #426 ALLOY | COPPER | BROWN      |
| (ALL HI-TEMP STRIPANELS) |                    |            |        | RED        |

\*For type "C" add \$1.50 per circuit. Schedule B applies for regular or hi-temp. Gold plated inserts are available at \$1.50 per circuit added to list price. Use suffix "G" (i.e. 1042-24-K-G).

| DISCOUNT SCHEDULE "A" |        |
|-----------------------|--------|
| QUANTITY              | FACTOR |
| 1-14                  |        |
| 15-49                 |        |
| 50-99                 |        |
| 100-249               |        |
| 250-499               |        |
| 500-999               |        |
| 1000-1999             |        |
| 2000+                 |        |

| DISCOUNT SCHEDULE "B" |        |
|-----------------------|--------|
| QUANTITY              | FACTOR |
| 1-14                  |        |
| 15-49                 |        |
| 50-99                 |        |
| 100-249               |        |
| 250+                  |        |

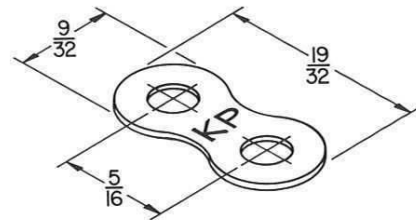
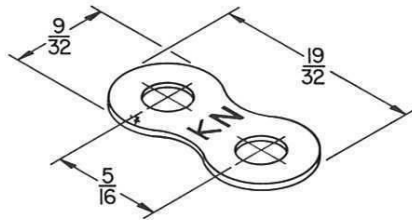


MANUFACTURING CORPORATION 12404 TRISKETT ROAD CLEVELAND, OHIO 44111

(216) 941-6200  
FAX: (216) 941-6207

## CONNECTORS TERMINAL LUGS

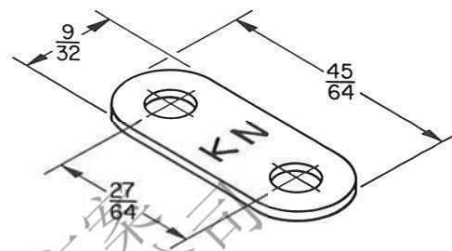
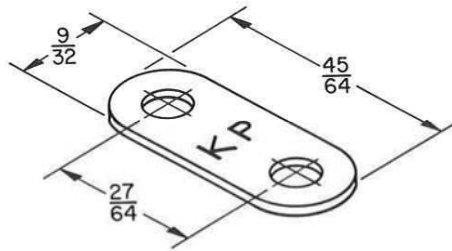
Each lug has stamped-in designation of thermocouple type and polarity  
e.g. JP = Type J positive  
JN = Type J negative  
(Exception "CU" uncompensated is not designated)



| PART NO.   | PRICE-SET | HOLE SPACING | FITS CINCH NO. | DISCOUNT SCHEDULE |
|------------|-----------|--------------|----------------|-------------------|
| 2140 - (*) |           | 5/16         | 140            | B                 |

(\*) Specify type J,K,T,E,R,S,CU,N

Each lug has stamped-in designation of thermocouple type and polarity  
e.g. JP = Type J positive  
JN = Type J negative  
(Exception "CU" uncompensated is not designated)

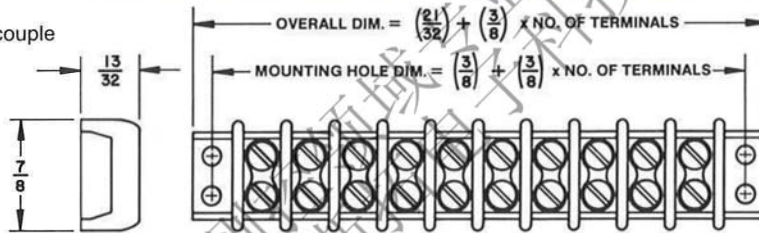


| PART NO.   | PRICE-SET | HOLE SPACING | FITS CINCH NO. | DISCOUNT SCHEDULE |
|------------|-----------|--------------|----------------|-------------------|
| 2141 - (*) |           | 27/64        | 141            | B                 |

(\*) Specify type J,K,T,E,R,S,CU,N

## TERMINAL LUGS WITH BARRIER STRIP

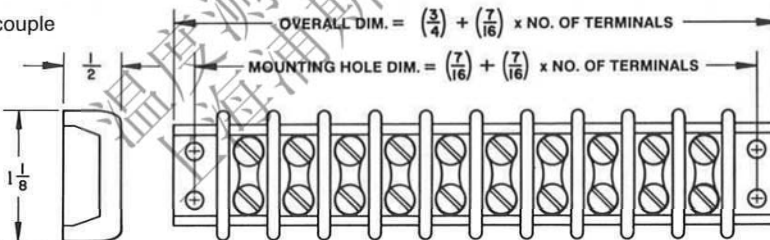
- 20 Terminals/10 Thermocouple Circuits max per strip
- Molded of bakelite
- Strips are shipped fully assembled with terminal lugs mounted
- 5-40 B.H.D. Screws
- Cinch No. 140
- Hole Spacing 5/16"



| PART NO.        | PRICE-CIRCUIT |
|-----------------|---------------|
| BS-2140-(*)-( ) |               |

(\*) Specify type J,K,T,E,R,S,CU,N  
( ) Specify number of thermocouple circuits  
Discount Schedule "B" applies

- 20 Terminals/10 Thermocouple Circuits max per strip
- Molded of bakelite
- Strips are shipped fully assembled with terminal lugs mounted
- 6-32 B.H.D. Screws
- Cinch No. 141
- Hole Spacing 27/64"



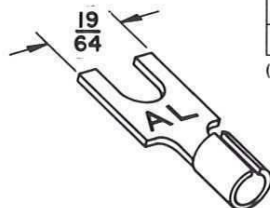
| PART NO.        | PRICE-CIRCUIT |
|-----------------|---------------|
| BS-2141-(*)-( ) |               |

(\*) Specify type J,K,T,E,R,S,CU,N  
( ) Specify number of thermocouple circuits  
Discount Schedule "B" applies

## TERMINAL SPADE LUGS

Each spade lug has stamped-in designation of thermocouple alloy type.

- e.g. CH = CHROMEL  
AL = ALUMEL  
IR = IRON  
CO = CONSTANTAN  
CP = COPPER  
II = ALLOY II  
NP = NICROSIL  
NN = NISIL



| PART NO.    | PRICE - EACH | DISC. SCHED. |
|-------------|--------------|--------------|
| SL-2141-(*) |              | B            |

(\*) Specify thermocouple alloy

| DISCOUNT SCHEDULE "B" |        |
|-----------------------|--------|
| QUANTITY**            | FACTOR |
| 1-14                  |        |
| 15-49                 |        |
| 50-99                 |        |
| 100-249               |        |
| 250+                  |        |

\*\*Quantity based on total number of circuits per order of terminal lugs or lugs with barrier strip. Total no. of pieces of terminal spade lugs.

Fits 6-32 (CINCH-141) Terminal Screws. Accepts up to 18 ga. wire for crimp connection.

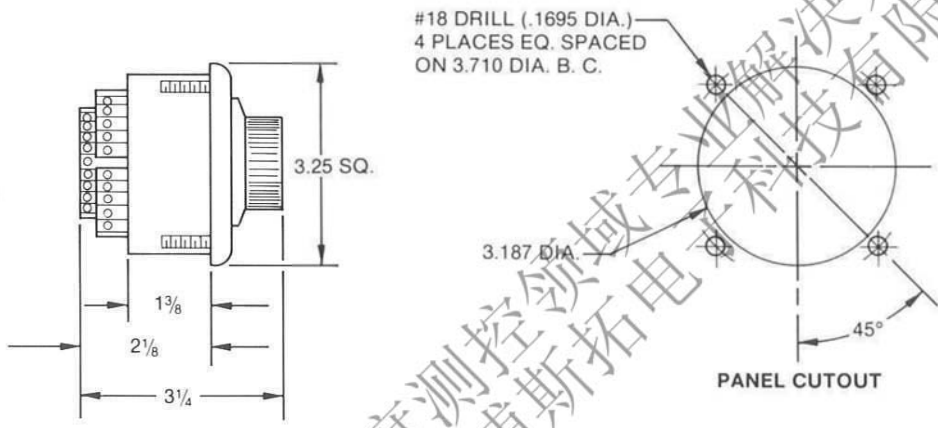
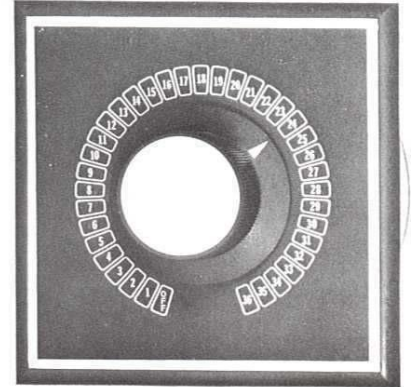
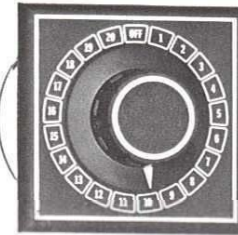
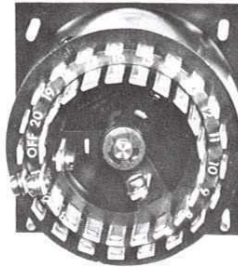


MANUFACTURING CORPORATION 12404 TRISKETT ROAD CLEVELAND, OHIO 44111

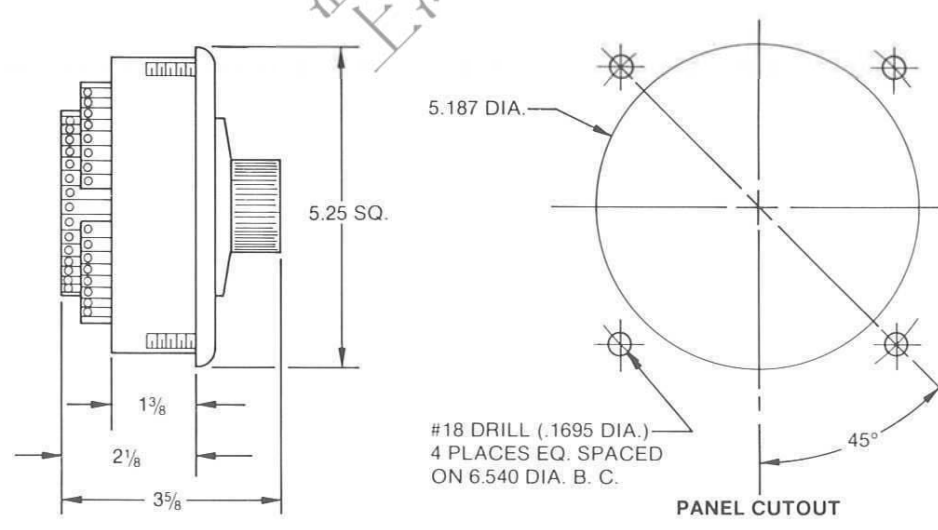
(216) 941-6200  
FAX: (216) 941-6207

# CONNECTORS SELECTOR SWITCHES

- Available in 2 to 40 positions
- 2 Pole and 3 Pole circuits with "OFF" position
- Silver plated blades and contacts with self-cleaning wiper action and low contact resistance
- Terminals are silver plated brass numbered circuits with polarity identification
- "OFF" position has terminals available for shorting input circuit when using it with a digital meter (Not available on 3-Pole)
- High impact GE Noryl™ case
- Break before make SW3-2 through SW3-10
- Make before break SW3-12 through SW5-40 and SWT-6 through SWT-36
- Pistol grip knob is available @ \$10. (suffix PG) i.e. SW3-10-PG @ 113.+10 = \$123.



| NO. POS. |        | CODE NO. | PRICE |
|----------|--------|----------|-------|
| 2        | 2 Pole | SW3-2    |       |
| 3        |        | SW3-3    |       |
| 4        |        | SW3-4    |       |
| 5        |        | SW3-5    |       |
| 6        |        | SW3-6    |       |
| 8        |        | SW3-8    |       |
| 10       |        | SW3-10   |       |
| 12       |        | SW3-12   |       |
| 14       |        | SW3-14   |       |
| 16       |        | SW3-16   |       |
| 18       | SW3-18 |          |       |
| 20       | SW3-20 |          |       |

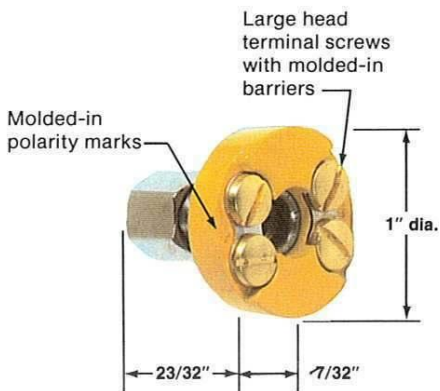


| NO. POS. |        | CODE NO. | PRICE |
|----------|--------|----------|-------|
| 24       | 2 Pole | SW5-24   |       |
| 28       |        | SW5-28   |       |
| 30       |        | SW5-30   |       |
| 32       |        | SW5-32   |       |
| 36       |        | SW5-36   |       |
| 40       |        | SW5-40   |       |
| 6        |        | SWT-6    |       |
| 12       |        | SWT-12   |       |
| 18       |        | SWT-18   |       |
| 24       |        | SWT-24   |       |
| 28       | SWT-28 |          |       |
| 32       | SWT-32 |          |       |
| 36       | SWT-36 |          |       |

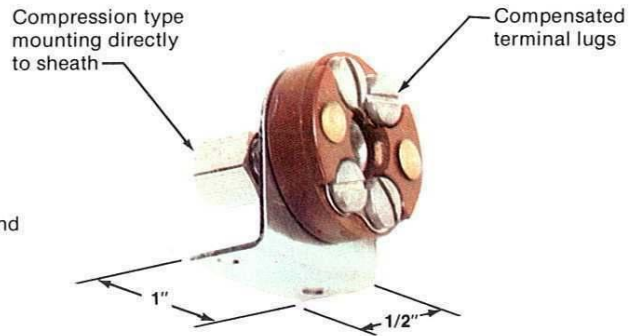


MANUFACTURING CORPORATION 12404 TRISKETT ROAD CLEVELAND, OHIO 44111 (216) 941-6200 FAX: (216) 941-6207

# CONNECTORS MICRO CONNECTOR HEAD



- Body of molded thermo-set compound (will not melt)
- Color coded
- Hi-Temp available to 800° F



### SINGLE CIRCUIT

| MICRO HEAD                |            |
|---------------------------|------------|
| CODE NO.                  | PRICE EACH |
| 2010-(*)-( ) <sup>1</sup> |            |

| HI-TEMP MICRO HEAD        |            |
|---------------------------|------------|
| CODE NO.                  | PRICE EACH |
| 2110-(*)-( ) <sup>1</sup> |            |

\*Specify type J,K,T,E,R,S,C,U,N  
1-Specify sheath size 1/16, 1/8, 3/16, 1/4

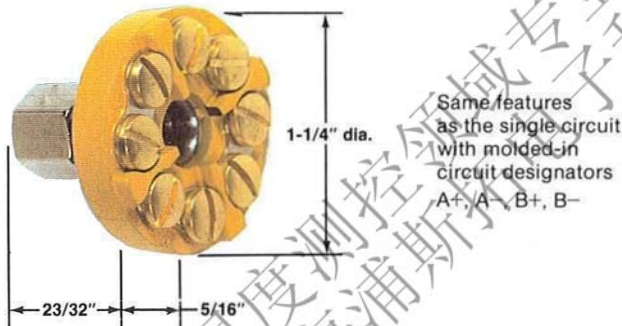
### SINGLE CIRCUIT WITH BRACKET

| MICRO HEAD w/MTG. BKT.    |            |
|---------------------------|------------|
| CODE NO.                  | PRICE EACH |
| 2011-(*)-( ) <sup>1</sup> |            |

| HI-TEMP MICRO HEAD w/MTG. BKT. |            |
|--------------------------------|------------|
| CODE NO.                       | PRICE EACH |
| 2111-(*)-( ) <sup>1</sup>      |            |

\*Specify type J,K,T,E,R,S,C,U,N  
1-Specify sheath size 1/16, 1/8, 3/16, 1/4



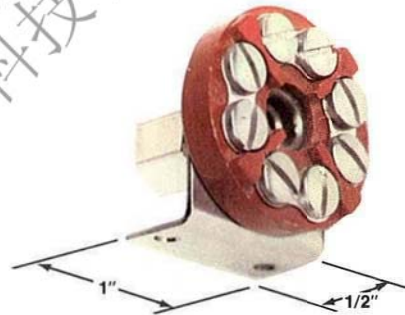
### DUAL CIRCUIT

| DUAL CIRCUIT MICRO HEAD   |                         |
|---------------------------|-------------------------|
| CODE NO.                  | PRICE EACH <sup>1</sup> |
| 2210-(*)-( ) <sup>1</sup> |                         |

| HI-TEMP DUAL MICRO HEAD   |            |
|---------------------------|------------|
| CODE NO.                  | PRICE EACH |
| 2310-(*)-( ) <sup>1</sup> |            |

\*Specify type J,K,T,E,R,S,C,U,N  
1-Specify sheath size 1/16, 1/8, 3/16, 1/4



### DUAL CIRCUIT WITH BRACKET

| DUAL CIRCUIT MICRO HEAD w/MTG. BKT. |            |
|-------------------------------------|------------|
| CODE NO.                            | PRICE EACH |
| 2211-(*)-( ) <sup>1</sup>           |            |

| HI-TEMP DUAL MICRO HEAD w/MTG. BKT. |            |
|-------------------------------------|------------|
| CODE NO.                            | PRICE EACH |
| 2311-(*)-( ) <sup>1</sup>           |            |

\*Specify type J,K,T,E,R,S,C,U,N  
1-Specify sheath size 1/16, 1/8, 3/16, 1/4

**For Mounting** directly on thermocouple sheath stem by compression fitting. **Large head brass terminal screws** facilitate tight connections. **Bodies are molded** of high performance thermoset compounds (will not melt) for high strength and dependability. The color coded micro heads will withstand ambient temperatures to 400° F (205° C) continuous 500° F (260° C) intermittent. High-Temperature micro heads (All Hi-Temp micro heads are color coded red) will withstand ambient temperatures to 800° F (425° C) continuous and 1000° F (540° C) intermittent.

**Angle bracket** made of nickel plated steel provides means for firm surface mounting; can be spot welded for permanent mounting or screw mounted through holes provided.

| DISCOUNT SCHEDULE "B" |        |
|-----------------------|--------|
| QUANTITY              | FACTOR |
| 1-14                  |        |
| 15-49                 |        |
| 50-99                 |        |
| 100-249               |        |
| 250+                  |        |

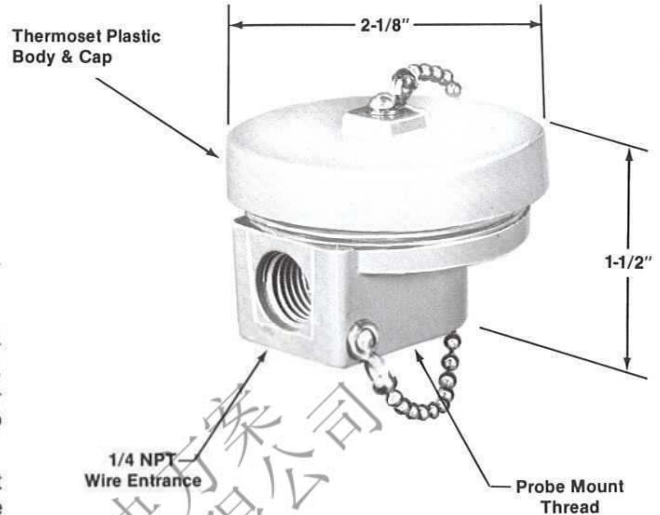


MANUFACTURING CORPORATION 12404 TRISKETT ROAD CLEVELAND, OHIO 44111 (216) 941-6200 FAX: (216) 941-6207

## CONNECTORS MINIATURE WEATHERPROOF HEAD



Thermostet Plastic Construction



Miniature Weatherproof Connecting Head is designed for termination of single or dual thermocouples, RTD's and strain gauges. Pipe threads are provided for probe mounting and extension wire fittings. Probe mount thread accommodates 1/4 NPT or 3/8 NPT. Cover includes gasket to seal against moisture, and chain to prevent loss. Molded of reinforced thermostet compounds, standard head can be used in ambient temperatures to 350°F (175°C); Hi-Temp head to 800°F (425°C).

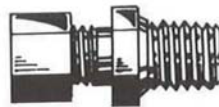
Four separate connections are provided with individual circuit and polarity markings. Jab-In® terminals eliminate looped wire ends and make wiring easy and positive. Molded channels guide wire between large-head brass screws and copper terminal inserts. Accepts wire from 32 ga to 14 ga.

| DISCOUNT SCHEDULE "B" |        |
|-----------------------|--------|
| QUANTITY              | FACTOR |
| 1-14                  |        |
| 15-49                 |        |
| 50-99                 |        |
| 100-249               |        |
| 250+                  |        |

| DESCRIPTION | PROBE MOUNT THREAD | PART NO. | PRICE | DISCOUNT SCHEDULE |
|-------------|--------------------|----------|-------|-------------------|
| Standard    | 1/4 NPT            | 2002     |       | B                 |
| 350°F       | 3/8 NPT            | 2003     |       | B                 |
| Hi-Temp     | 1/4 NPT            | 2102     |       | B                 |
| 800°F       | 3/8 NPT            | 2103     |       | B                 |

### Mounting Accessories

**Brass Compression Fitting** includes body, nut and ferrule for mounting probe tubing.



| TUBE SIZE OD | THREAD SIZE | PART NO.  | PRICE | DISCOUNT SCHEDULE |
|--------------|-------------|-----------|-------|-------------------|
| 1/8"         | 1/4 NPT     | A 14B 125 |       | B                 |
| 3/16"        | 1/4 NPT     | A 14B 187 |       |                   |
| 1/4"         | 1/4 NPT     | A 14B 250 |       |                   |
| 3/8"         | 3/8 NPT     | A 38B 375 |       |                   |

**Stainless Steel Fixed Fitting** for brazing to probe.



| TUBE SIZE OD | THREAD SIZE | PART NO.  | PRICE | DISCOUNT SCHEDULE |
|--------------|-------------|-----------|-------|-------------------|
| 1/8"         | 1/4 NPT     | F 14S 125 |       | B                 |
| 3/16"        | 1/4 NPT     | F 14S 187 |       |                   |
| 1/4"         | 1/4 NPT     | F 14S 250 |       |                   |
| 3/8"         | 3/8 NPT     | F 38S 375 |       |                   |

**Wire Grip Fitting** provides strain relief and moisture-proof protection for extension wires from 1/8" OD to 3/8" OD. Contains 1/4 NPT brass body, nut, two sizes of back up washers and four assorted sizes of elastomer grommets.



| DESCRIPTION       | PROBE MOUNT THREAD | PART NO. | PRICE | DISCOUNT SCHEDULE |
|-------------------|--------------------|----------|-------|-------------------|
| Wire Grip Fitting | 1/4 NPT            | 2080     |       | B                 |



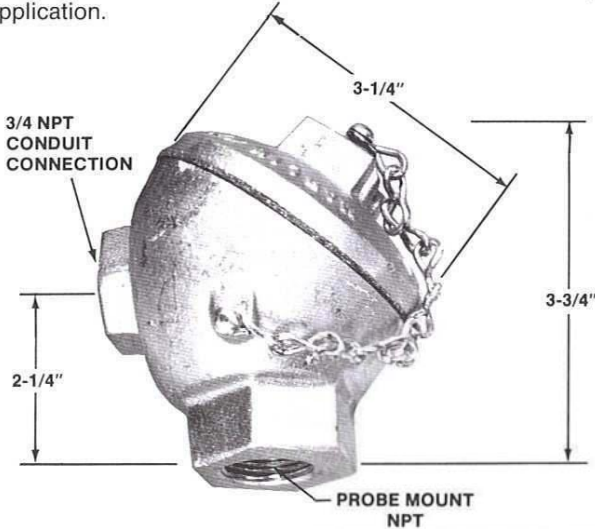
MANUFACTURING CORPORATION 12404 TRISKETT ROAD CLEVELAND, OHIO 44111

(216) 941-6200  
FAX: (216) 941-6207

# CONNECTORS TERMINAL HEADS

## Weatherproof Terminal Head

Weatherproof heads are rugged cast aluminum or cast iron screw cover units that are available in various NPT probe connection sizes and the choice of terminal block to fit your application.



|                                 | PROBE NPT | CODE | PRICE EACH | DISCOUNT SCHEDULE |
|---------------------------------|-----------|------|------------|-------------------|
| Cast Aluminum Weatherproof Head | 1/2 NPT   | WA 2 |            | B                 |
|                                 | 3/4 NPT   | WA 3 |            |                   |
|                                 | 1 NPT     | WA 4 |            |                   |
| Cast Iron Weatherproof Head     | 1/2 NPT   | WC 2 |            | B                 |
|                                 | 3/4 NPT   | WC 3 |            |                   |
|                                 | 1 NPT     | WC 4 |            |                   |

1. To order terminal head/block assembly use block code as prefix e.g. 2WA2 and combine prices.

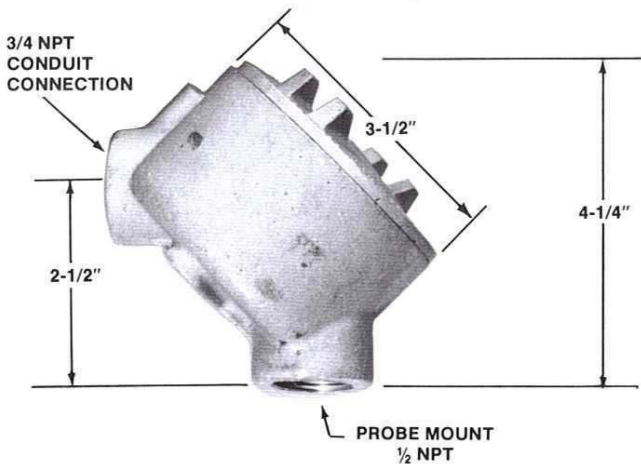
| TERMINAL BLOCKS for Weatherproof Heads                     | T'BLOCK CODE | PRICE EACH | DISCOUNT SCHEDULE |
|--|--------------|------------|-------------------|
| 2-WIRE<br>Accepts to 8 ga. wire                            | A            |            | B                 |
| 4-WIRE<br>Accepts to 8 ga. wire                            | D            |            |                   |
| RIGID 4-WIRE   | 2            |            |                   |
| RIGID 4-WIRE<br>W/Sheath Adapter<br>-max sheath O.D. .250" | 3 *          |            |                   |
| SPRING LOADED 4-WIRE<br>(1/4" sheath size)                 | 4 *          |            |                   |
| SPRING LOADED 6-WIRE<br>(1/4" sheath size)                 | 5 *          |            |                   |
| For 3/16" dia. only  | 6            |            |                   |

\* Specify sheath size with these blocks. e.g. TB-3-250 or TB-3-375

ORDER CODE: TB  T'BLOCK CODE

## EXPLOSION PROOF TERMINAL HEAD

Explosion proof heads are cast aluminum screw cover units that comply with: NEC Class I, Group C, D Class III, UL Standard 866 Class II, Groups E, F, G They are designed for use in hazardous environments where extreme caution must be observed.



|                                    | PROBE NPT | CODE | PRICE EACH | DISCOUNT SCHEDULE |
|------------------------------------|-----------|------|------------|-------------------|
| Explosion proof head Cast Aluminum | 1/2 NPT   | EX A |            | B                 |

1. To order terminal head/block assembly use block code as prefix e.g. 2EXA and combine prices.

| TERMINAL BLOCKS for Explosion Proof Heads       | T'BLOCK CODE | PRICE EACH | DISCOUNT SCHEDULE |
|---|--------------|------------|-------------------|
| RIGID 4-WIRE                                    | 3            |            | B                 |
| SPRING LOADED 4-WIRE<br>(1/4" sheath size only) | 8 *          |            |                   |

\* Specify sheath size: e.g. TB-8-250

ORDER CODE: TB  T'BLOCK CODE



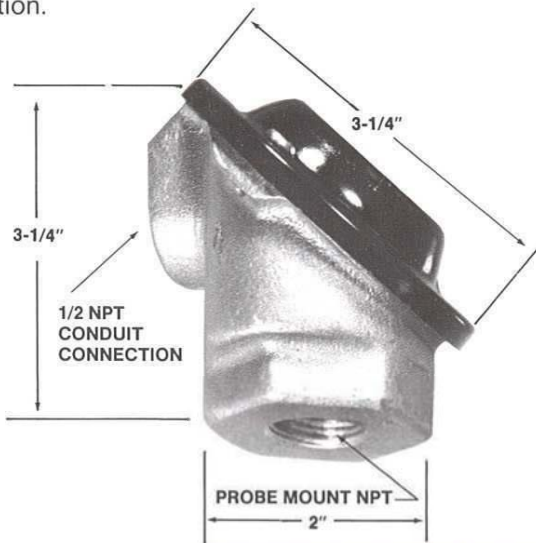
MANUFACTURING CORPORATION 12404 TRISKETT ROAD CLEVELAND, OHIO 44111

(216) 941-6200  
FAX: (216) 941-6207



## CONNECTORS GENERAL PURPOSE HEAD

General purpose heads are rugged cast aluminum units with stamped steel covers that are available in various NPT probe connection sizes and terminal block to fit your application.



|                                    | PROBE NPT | CODE | PRICE EACH | DISCOUNT SCHEDULE |
|------------------------------------|-----------|------|------------|-------------------|
| Cast Aluminum General Purpose Head | 1/2 NPT   | GP 2 |            | B                 |
|                                    | 3/4 NPT   | GP 3 |            |                   |
|                                    | 1 NPT     | GP 4 |            |                   |

1. To order terminal head/block assembly use block code as prefix e.g. 1GP2 and combine prices.

| Terminal Blocks for General Purpose Heads | T'Block CODE | PRICE EACH | DISCOUNT SCHEDULE |
|---|--------------|------------|-------------------|
| 2-WIRE<br>Accepts to 8 ga. wire           | 1            |            | B                 |

ORDER CODE: TB-1

| DISCOUNT SCHEDULE "B" |        |
|-----------------------|--------|
| QUANTITY              | FACTOR |
| 1-14                  |        |
| 15-49                 |        |
| 50-99                 |        |
| 100-249               |        |
| 250+                  |        |

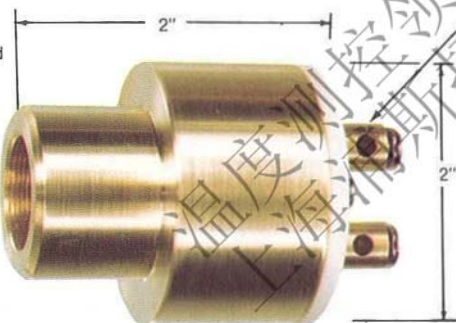
## MARLIN OPEN HEAD

The open head is a brass body head with post terminals, T/C male plugs, or T/C female jacks. Dual thermocouple open heads are also available in post, plug, or jack styles. Designed primarily for use with platinum/rhodium type thermocouples. No terminal block is used with this head.

CATALOG NO.: MT1-01-S @ \$23.50

Marlin Open Head, Post Terminal, Single Types T/C

- Available I.D. Thread
- 7/8-27 Th'd
  - 1/2" NPT
  - 3/4" NPT



MT1-01-S (shown)

- Optional 1" NPT O.D. Thread



MT1-41-S (shown)

- Available styles (shown)
- Post Terminal(s)
  - T/C Plug(s)
  - T/C Jack(s)



| Terminal Type    | Prefix Code | Price* Each | Discount Schedule |
|------------------|-------------|-------------|-------------------|
| Post: Single     | MT1-        |             | B                 |
| Dual             | MT2-        |             |                   |
| T/C Plug: Single | MP1-        |             | B                 |
| Dual             | MP2-        |             |                   |
| T/C Jack: Single | MF1-        |             | B                 |
| Dual             | MF2-        |             |                   |

\$5.00 extra charge for thread codes 02, 03  
\$12.00 extra for 1" NPT external thread codes 41, 42, 43

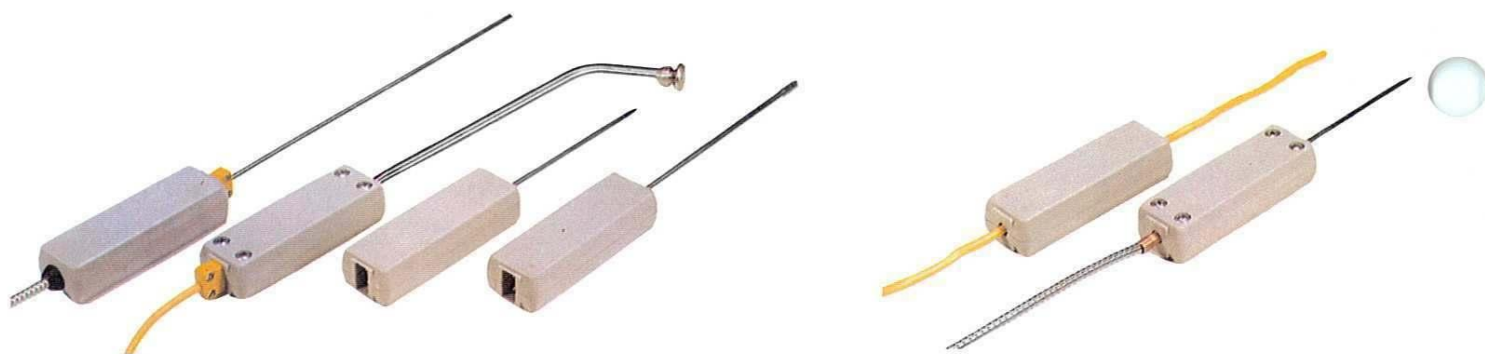


MANUFACTURING CORPORATION 12404 TRISKETT ROAD CLEVELAND, OHIO 44111

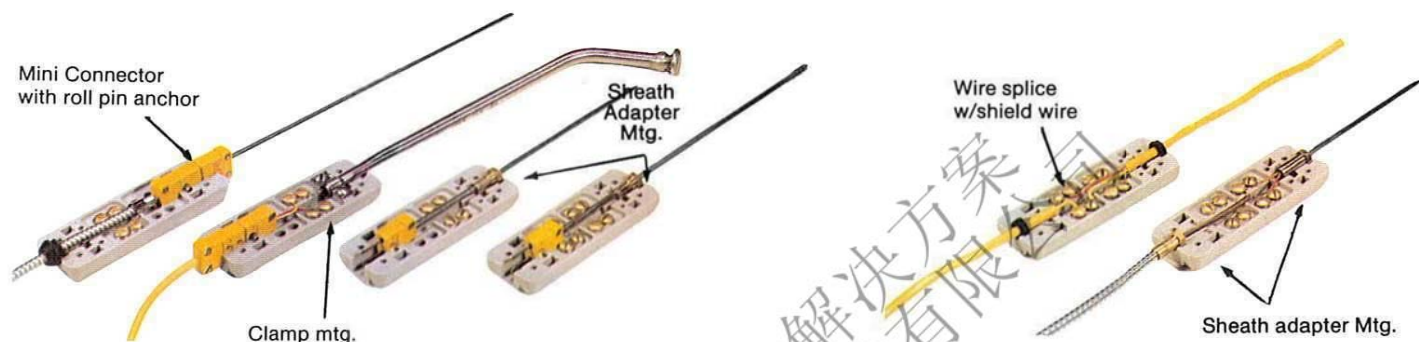
(216) 941-6200

FAX: (216) 941-6207

# CONNECTORS UNIVERSAL PROBE HANDLE



**TYPICAL PROBE HANDLE CONFIGURATION**



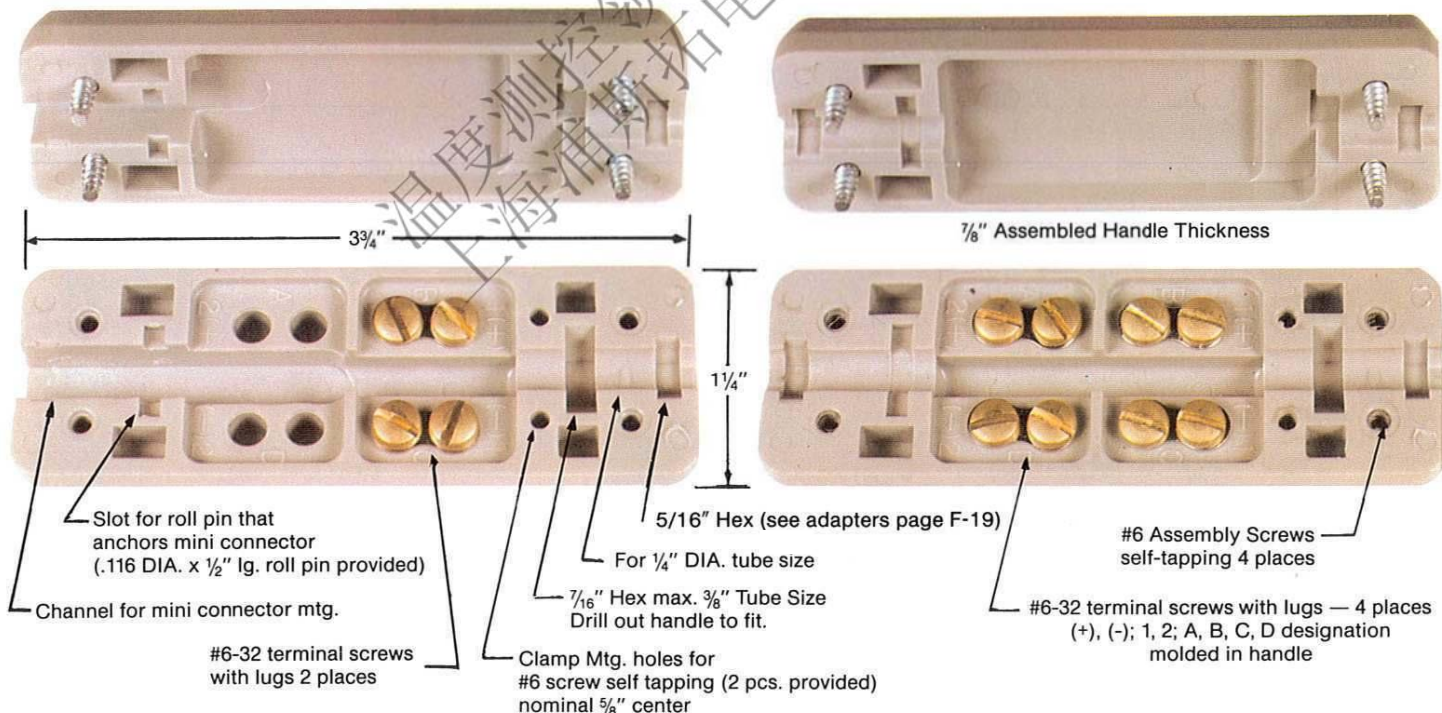
**TYPICAL PROBE HANDLE HOOK-UP**

This universal probe handle has been designed to accommodate a variety of mounting arrangements. Mini connectors, hex sheath adapters and rigid clamping provide dependable probe assemblies that properly strain-relieve

both the sheath and the wire. Molded of reinforced nylon the handle can be used to temperatures of 260°F (127°C) (not available in high-temperature).

**FOR MINI CONNECTORS**

**FOR DIRECT WIRES**



| Part Number | Price | Disc. Sched. |
|-------------|-------|--------------|
| UPH-1       |       | A            |

| Part Number | Price | Disc. Sched. |
|-------------|-------|--------------|
| UPH-2       |       | A            |



MANUFACTURING CORPORATION 12404 TRISKETT ROAD CLEVELAND, OHIO 44111

(216) 941-6200

FAX: (216) 941-6207