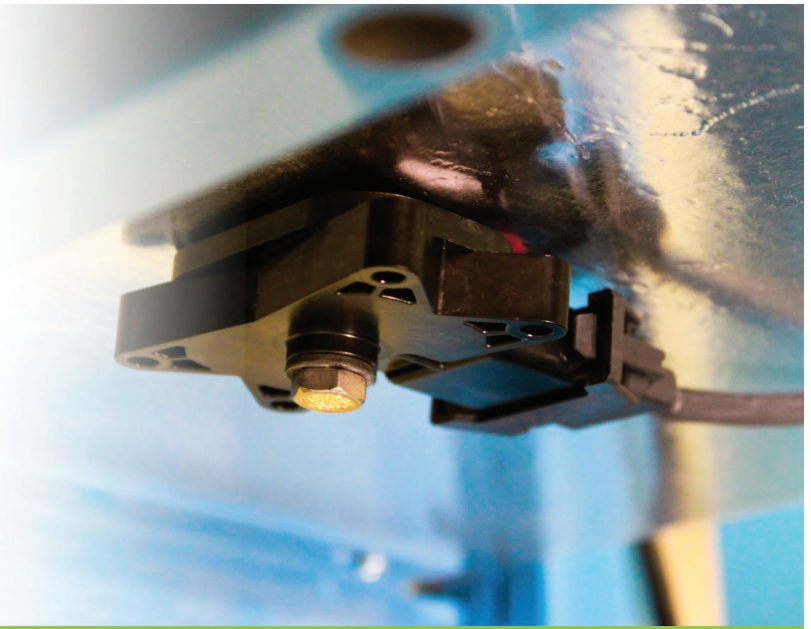


## Reliable and Accurate Hydrogen Sensor for Fuel Cells



**READY TO UNDERSTAND YOUR TRUE SENSOR COSTS?**  
REACH OUT TO NTM SENSORS FOR A FREE CONSULTATION.

Unseen costs associated with sensor calibration and premature replacement add to the total cost of ownership. As developers and system integrators work to reduce their costs to reach their target markets, both front and back end costs deserve scrutiny. NTM Sensors can work with companies to identify these costs and find a suitable solution.

### Features & Benefits

- **Reliable Signal** *highly sensitive to  $H_2$  in varying humidity and temperature environments*
- **Rapid Response** *less than 5 seconds response and recovery time*
- **No False Positives** *insensitive to combustible gasses*
- **Common Connection** *rugged automotive-grade connector*
- **Durable Product Design** *designed for extreme conditions*
- **Easy to Use in the Field** *0-5v analog output with built-in diagnostics*

### Key Applications



Hydrogen powered vehicles



Fuel cell powered devices, including lift trucks



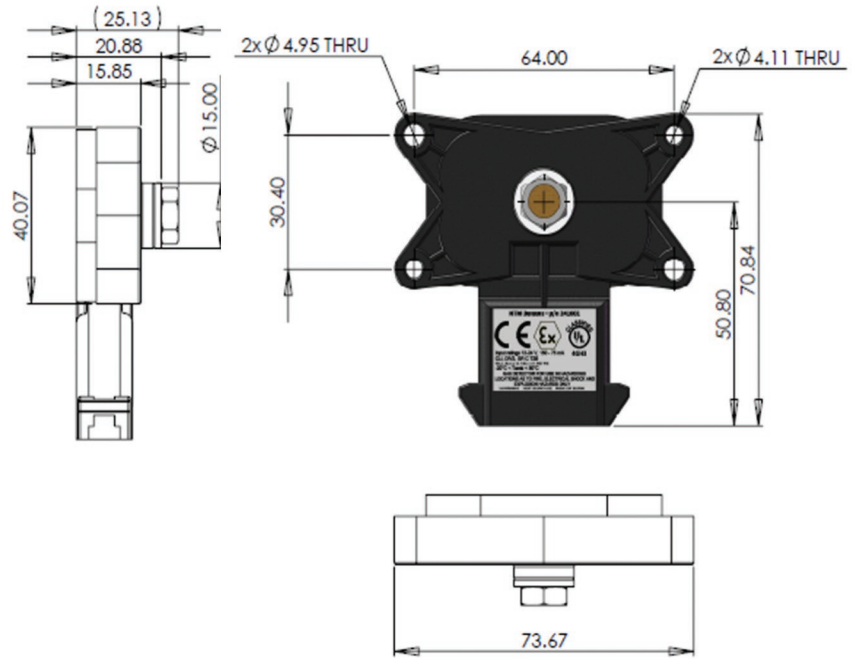
Hydrogen Fueling Stations



Laboratory monitoring

# NTM SenseH<sub>2</sub><sup>®</sup> Hydrogen Sensor

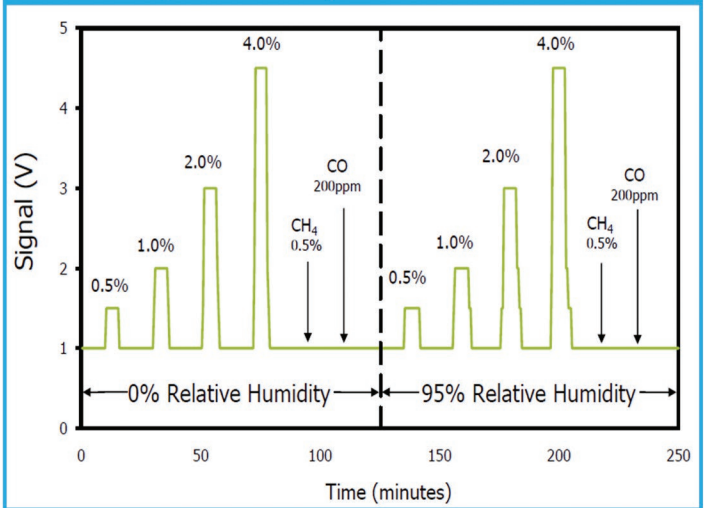
SKU: 241002



## Key Specifications

Characteristics:	Min	Max	Units
H <sub>2</sub> range (in air)	0.25	4.0	%
Voltage Input	12	24	Vdc
Output (sensing range)	1.0	4.5	Vdc
Error state (output signal)	0.50	0.50	Vdc
Error state (output signal)	4.75	4.75	Vdc
Power consumption (25°C)	0.10	0.15	A
Response time (T90)	-	5	Sec.
Recovery time (T10)	-	5	Sec.
<b>Environmental Conditions:</b>			
Ambient temperature	-20	80	°C
Relative humidity	5	95	%R.H.
Linear flow rate	0.02	5.00	m/s
<b>Hazardous Location</b>	UL Class 1, Div 2, GR A-D, T2B		
<b>Approvals:</b>	ATEX Class 1, Zone 2 Ex nL IIC T2 Gc		

## Response to H<sub>2</sub> and Other Gases



## Important Installation Guidelines:

Exposure to 100% hydrogen and other reducing conditions may damage the sensor. The sensor is calibrated for hydrogen detection in air. Use in oxygen concentrations other than air (21%O<sub>2</sub>) can invalidate the sensor's calibration. Exposure to silicone-containing products such as sealants, hoses, and caulking compounds should be avoided.

