

Features

- Transceiver unit with independent
 - 1310nm FP Laser diode transmitter
 - InGaAs PIN photodiode receiver
- Meet SFP MSA and SFF-8472 with duplex LC receptacle
- Operating data rate up to 1250Mbps
- Up to 20 km on 9/125µm SMF
- Digital diagnostic monitoring
- Hot-pluggable
- Metal enclosure for lower EMI
- +3.3V Single power supply
- Operating case temperature:
 - Standard : 0 to +70°C
 - Industrial : -40 to +85°C
- Qualified to meet the intent of Bellcore reliability practices
- LVPECL logic interface simplifies interface to external circuitry
- LVTTTL logic Signal level RX LOS
- With pull de-latch
- Compliant ROHS and lead free
- Compliant with UL standard

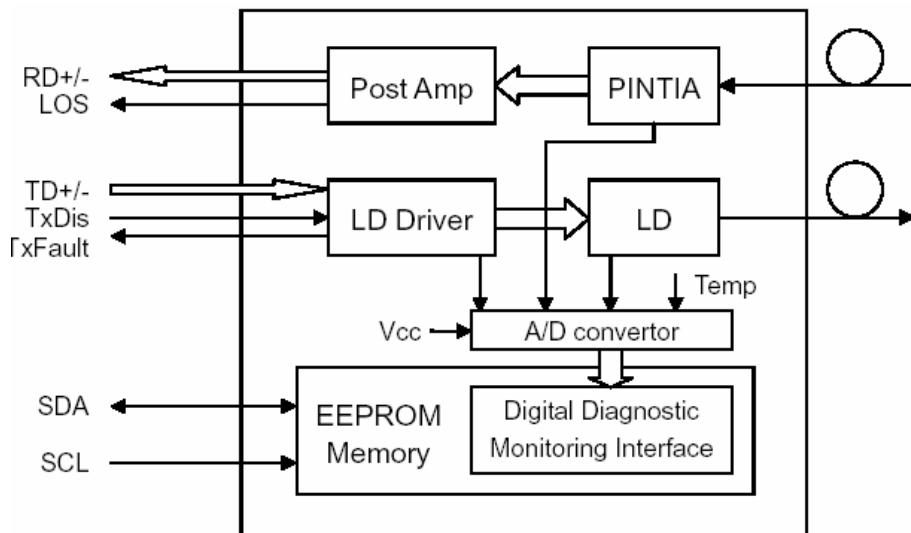


Application

- ATM
- SONET/SDH
- Ethernet
- Switches
- Routers
- Hubs

General

The optical transceiver is compliant with the Small Form- Factor Pluggable (SFP) Multi-Source Agreement (MSA) and SFF-8472. It offers previously unavailable system cost, upgrade, and reliability benefits by virtue of being hot-pluggable.



Transmitter Section

Transmitter is designed for single mode fiber and operates at a nominal wavelength of 1310nm. The transmitter module uses a MQW FP laser diode and full IEC825 and CDRH class 1 eye safety. The output power can be disabled via the single TxDis pin. Logic LVTTTL HIGH level disables the transmitter. It contains APC function, temperature compensation circuit, PECL data inputs, LVTTTL Txdis input and Tx fault Output interface.

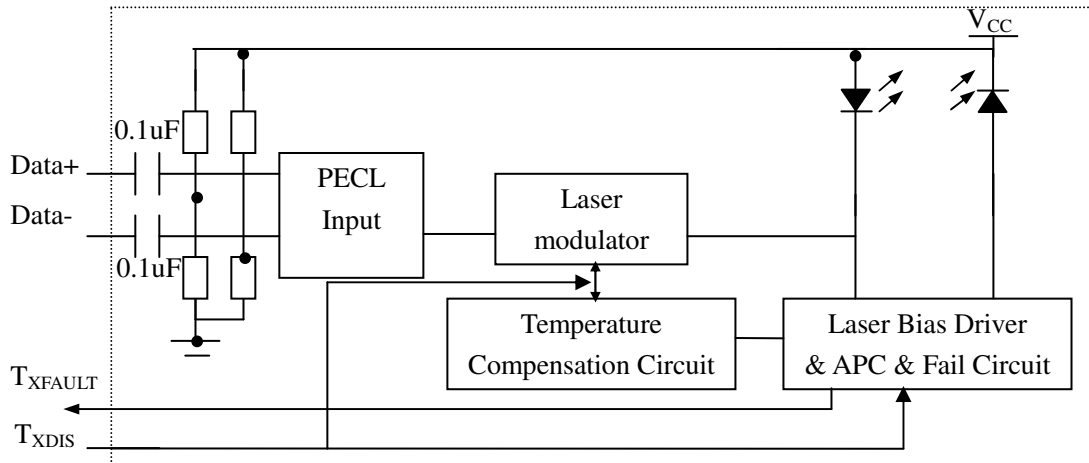


Figure1. Transmitter Block Diagram

Receiver Section

The receiver section uses a hermetic packaged front end receiver (InGaAs PIN and preamplifier). The postamplifier is ac coupled to preamplifier through a capacitor and a low pass filter. The capacitor and LPF are enough to pass the signal from 1000Mb/s to 1300Mb/s without significant distortion or performance penalty. The LPF limits the preamplifier bandwidth to improve receiver sensitivity. As the input optical is decreased, LOS will switch from low to high. As the input optical power is increased from very low levels, LOS will switch back from high to low.

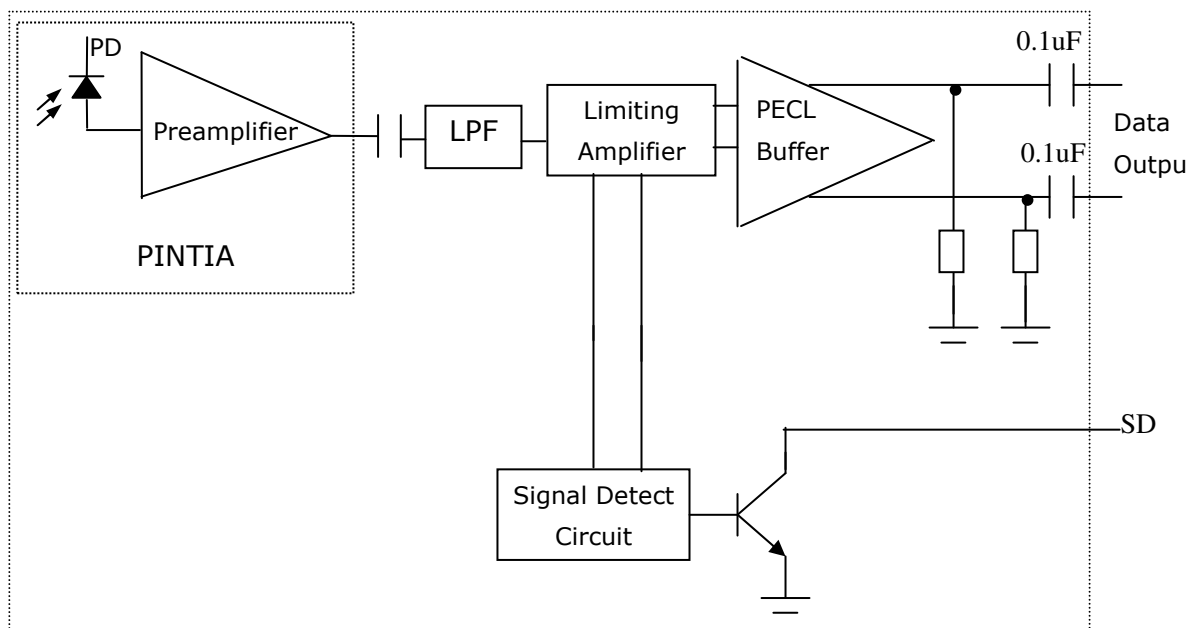


Figure2. Receiver Block Diagram

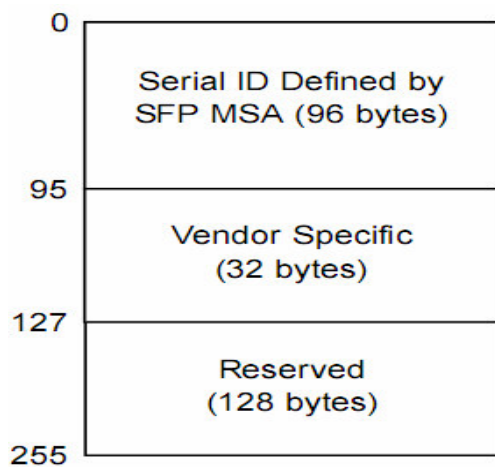
EEPROM Section

The optical transceiver contains an EEPROM. It provides access to sophisticated identification information that describes the transceiver’s capabilities, standard interfaces, manufacturer, and other information.

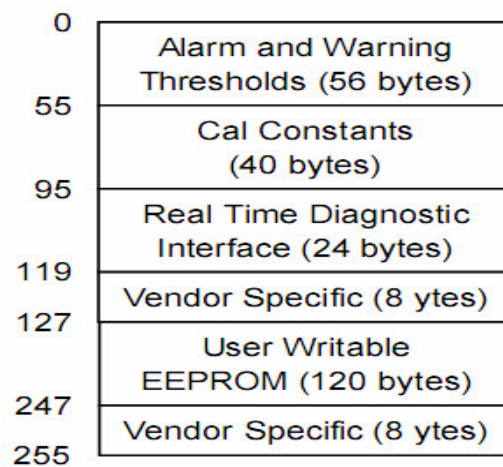
The serial interface uses the 2-wire serial CMOS EEPROM protocol defined for the ATMEL AT24C01A/02/04 family of components. When the serial protocol is activated, the host generates the serial clock signal (SCL, Mod Def 1). The positive edge clocks data into those segments of the EEPROM that are not write protected within the SFP transceiver. The negative edge clocks data from the SFP transceiver. The serial data signal (SDA, Mod Def 2) is bi-directional for serial data transfer. The host uses SDA in conjunction with SCL to mark the start and end of serial protocol activation. The memories are organized as a series of 8-bit data words that can be addressed individually or sequentially.

The Module provides diagnostic information about the present operating conditions. The transceiver generates this diagnostic data by digitization of internal analog signals. Calibration and alarm/warning threshold data is written during device manufacture. Received power monitoring, transmitted power monitoring, bias current monitoring, supply voltage monitoring and temperature monitoring all are implemented. The diagnostic data are raw A/D values and must be converted to real world units using calibration constants stored in EEPROM locations 56 – 95 at wire serial bus address A2h. The digital diagnostic memory map specific data field define as following.

Memory Map:



2 wire address 1010000x (A0h)



2 wire address 1010001x (A2h)

Performance Specifications

Table1. Absolute Maximum Ratings

Parameter	Symbol	Min	Max	Unit	
Storage Temperature	Tst	-40	+85	°C	
Operating Temperature	To	SFP-GE-SM-0120	0	+70	°C
		SFP-GE-SM-0120I	-40	+85	
Input Voltage	-	GND	Vcc	V	
Power Supply Voltage	Vcc-Vee	-0.5	+3.6	V	

Note: Stress in excess of maximum absolute ratings can cause permanent damage to the module

Table2. Operating Environment

Parameter	Symbol	Min	Max	Unit
Power Supply Voltage	Vcc	+3.1	+3.5	V
Ambient Operating Temperature	TA	0	+70	°C
		SFP-GE-SM-0120I	-40	

Table3. Transmitter electrical and optical Characteristics

Parameter	Symbol	Min	Typ	Max	Unit	Note
Center Wavelength	λ_p	1260	1310	1360	nm	-
Spectral Width	$\Delta\lambda$	-	-	3	nm	-
Average Optical Output Power	Po	-10	-	-3	dBm	-
Extinction Ratio	EXT	8.2	-	-	dB	-
Rise/Fall Time(20%-80%)	Tr/Tf	-	-	0.28	ns	-
Input Differential Impedance	Z _{IN}	90	100	110	Ω	-
Transmitter disable Voltage	V _D	2.0	-	Vcc	V	-
Transmitter Enable Voltage	V _{EN}	0	-	0.8	V	-
Power supply Current	I _{cc}	-	70	180	mA	1
Data Input Voltage	V _{pp}	300	-	1600	mV	-
Output Eye Diagram	Compliant with ITU-T.G957					

Table 4.Receiver optical-electrical characteristics

Parameter	Symbol	Min	Typ	Max	Unit	Note
Operate wavelength	-	1260	-	1620	nm	-
Sensitivity	Pr	-	-	-22	dBm	2
Saturation	Ps	-3	-	-	dBm	2
LOS Asserted	-	-35	-	-	dBm	High Level: Alarm
LOS De-Assert	-	-	-	-24	dBm	
LOS Hysteresis	-	0.5	1	-	dB	
LOS LOW voltage	V _{Lout}	-	-	0.8	V	-
LOS HIGH voltage	V _{Hout}	2.0	-	-	V	-
Power Supply Current	I _{cc}	-	80	170	mA	1
Data Outputs Voltage	V _{pp}	400	800	1000	mV	-

Notes:

1. The current excludes the output load current.
2. Minimum Sensitivity and saturation levels for a $2^7 - 1$ PRBS test pattern @1.25Gbit/s

Table 5.Diagnostics Specification

Parameter	Range	Unit	Accuracy	Calibration
Temperature	0 to +70	°C	±3	Internal / External
	-40 to +85			
Voltage	3.0 to 3.6	V	±3%	Internal / External
Bias Current	0 to 100	mA	±10%	Internal / External
TX Power	-10 to -3	dBm	±3	Internal / External
RX Power	-28 to -3	dBm	±3	Internal / External

Pin Definition

Pin Out Diagram

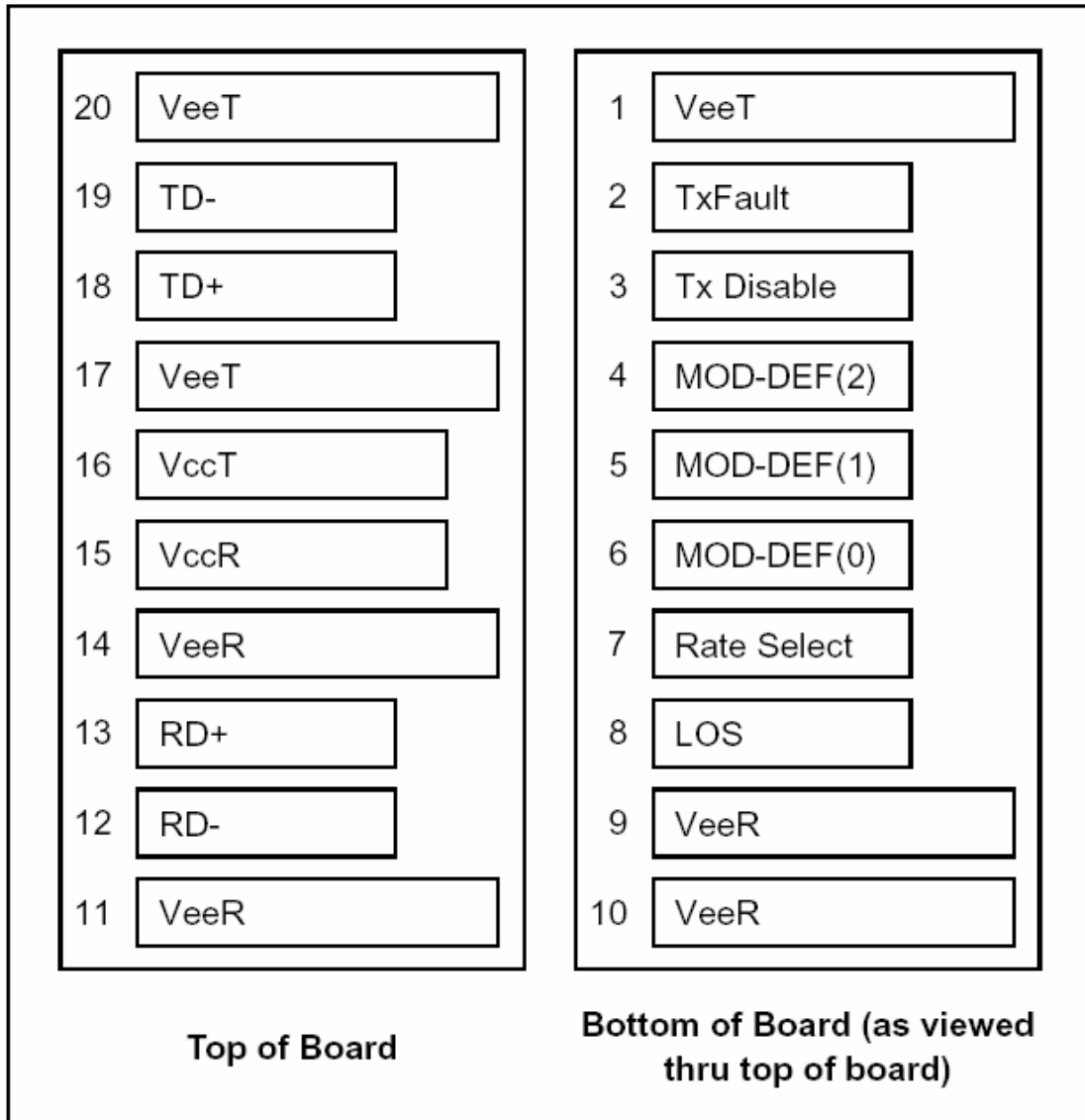


Table 6.Pin Function Definitions

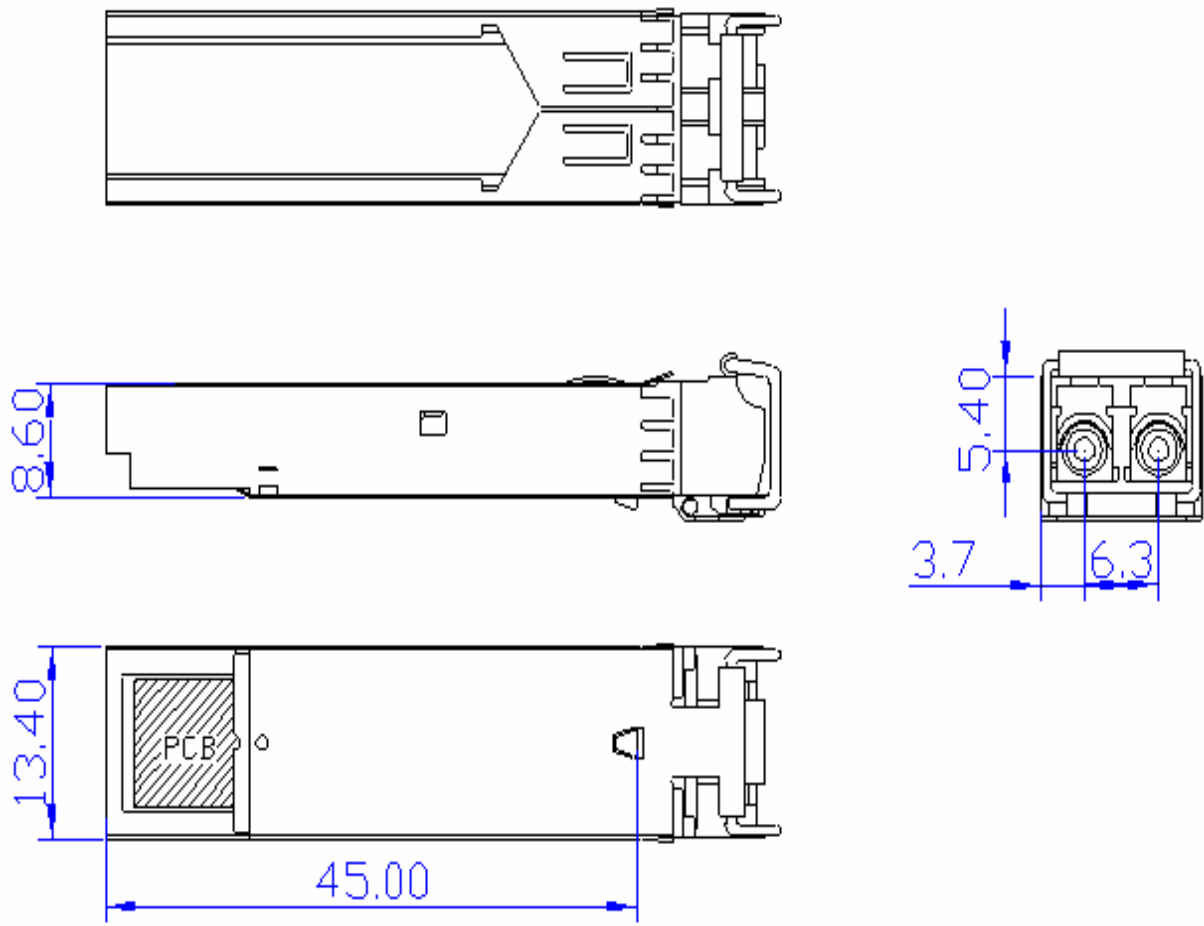
Pin#	Name	Description	Notes
1	VeeT	Transmitter Ground	-
2	TX Fault	Transmitter Fault Indication	Notes 1
3	TX Disable	Transmitter Disable	Note 2, Module disables on high or open
4	MOD-DEF2	Module Definition 2	Note3, 2 wire serial ID interface
5	MOD-DEF1	Module Definition 1	Note 3, 2 wire serial ID interface
6	MOD-DEF0	Module Definition 0	Note 3, Grounded in Module
7	Rate Select	Not use	-
8	LOS	Loss of Signal	Notes 4
9	VeeR	Receiver Ground	Note 5
10	VeeR	Receiver Ground	Note 5
11	VeeR	Receiver Ground	Note 5
12	RD-	Inv. Received Data Out	Notes 6
13	RD+	Receiver Data out	Notes 6
14	VeeR	Receiver Ground	Note 5
15	VccR	Receiver Power	Note 7, 3.3V± 5%
16	VccT	Transmitter Power	Note 7, 3.3V± 5%
17	VeeT	Transmitter Ground	Note 5
18	TD+	Transmit Data In	Note 8
19	TD-	Inv. Transmit Data In	Notes 8
20	VeeT	Transmitter Ground	Notes 5

Note:

- TX Fault is an open collector/drain output, which should be pulled up with a 4.7K–10KΩ resistor on the host board. Pull up voltage between 2.0V and VccT, R+0.3V. When high, output indicates a laser fault of some kind. Low indicates normal operation. In the low state, the output will be pulled to < 0.8V.**
- TX disable is an input that is used to shut down the transmitter optical output. It is pulled up within the module with a 4.7–10 KΩ resistor. Its states are:**
 - Low (0 – 0.8V): Transmitter on**
 - (>0.8, < 2.0V): Undefined**
 - High (2.0 – 3.465V): Transmitter Disabled**
 - Open: Transmitter Disabled**

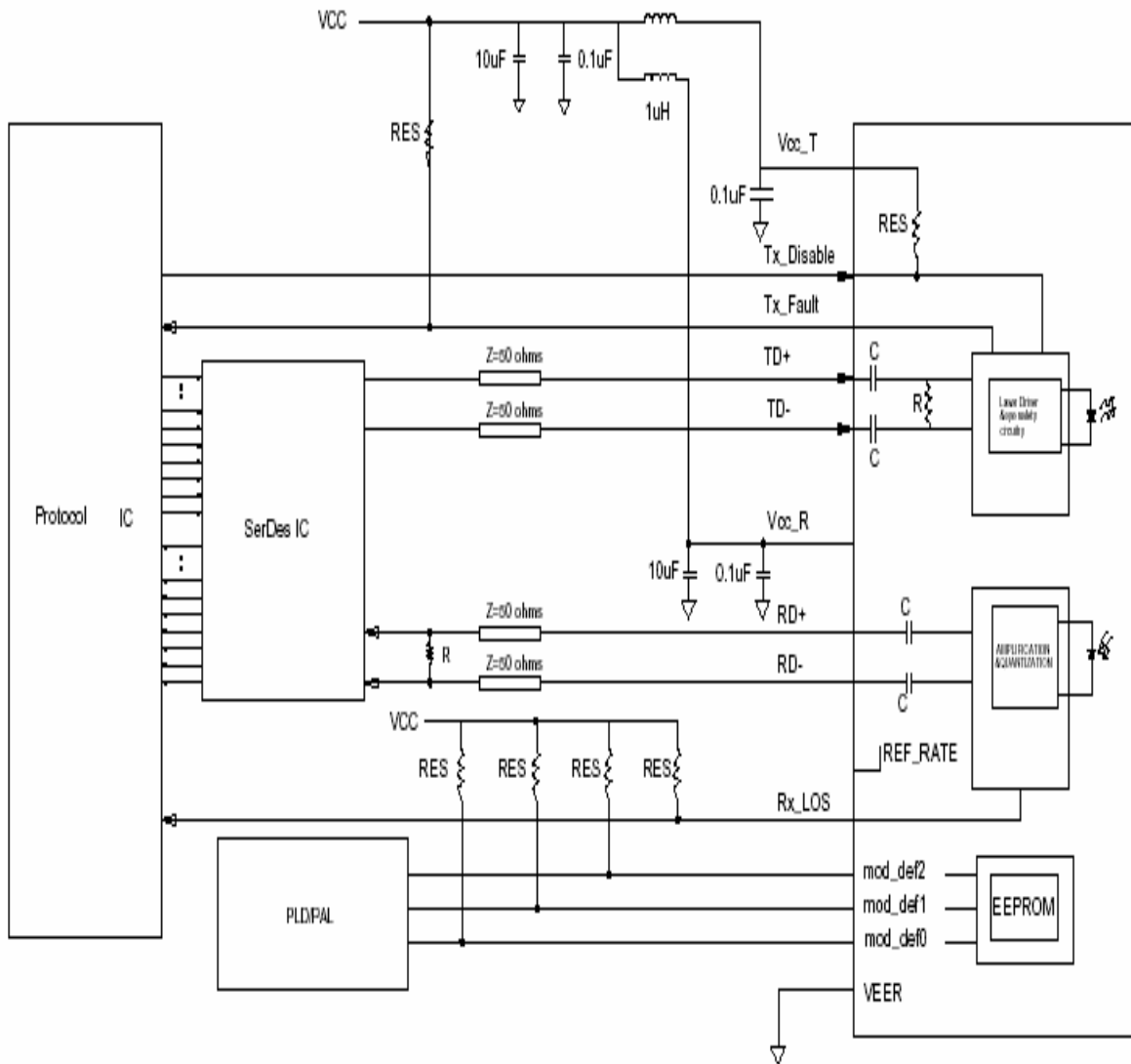
3. **Mod-Def 0,1,2.** These are the module definition pins. They should be pulled up with a $4.7K - 10K\Omega$ resistor on the host board. The pull-up voltage shall be V_{ccT} or V_{ccR} . Mod-Def 0 is grounded by the module to indicate that the module is present Mod-Def 1 is the clock line of two wire serial interface for serial ID Mod-Def 2 is the data line of two wire serial interface for serial ID
4. **LOS (Loss of Signal)** is an open collector/drain output, which should be pulled up with a $4.7K - 10K\Omega$ resistor. Pull up voltage between $2.0V$ and V_{ccT} , $R+0.3V$. When high, this output indicates the received optical power is below the worst-case receiver sensitivity(as defined by the standard in use). Low indicates normal operation. In the low state, the output will be pulled to $< 0.8V$.
5. **VeeR and VeeT** may be internally connected within the SFP module.
6. **RD-/+**: These are the differential receiver outputs. They are AC coupled 100Ω differential lines which should be terminated with 100Ω (differential) at the user SERDES. The AC coupling is done inside the module and is thus not required on the host board.
7. **VccR and VccT** are the receiver and transmitter power supplies. They are defined as $3.3V \pm 5\%$ at the SFP connector pin. Maximum supply current is $300mA$. Recommended host board power supply filtering is shown below. Inductors with DC resistance of less than 1Ω should be used in order to maintain the required voltage at the SFP input pin with $3.3V$ supply voltage. When the recommended supply filtering network is used, hotplugging of the SFP transceiver module will result in an inrush current of no more than $30 mA$ greater than the steady state value. V_{ccR} and V_{ccT} may be internally connected within the SFP transceiver module.
8. **TD-/+**: These are the differential transmitter inputs. They are AC-coupled, differential lines with 100Ω differential termination inside the module. The AC coupling is done inside the module and is thus not required on the host board.

Package information



Unit: mm

Recommended Circuit



Note: 4.7K ohms < RES < 10K ohms

Obtaining Document

Please visit our website:

[Http://www.zyтом.com](http://www.zyтом.com)

Ordering Information

产品型号	速率	传输距离	发射波长	接收波长	光功率	灵敏度	电压	接口	DDMI
SFP-GE-SM-1005	1.25Gbps	0.5km	850nm	850nm	-9~-3dbm	< -17dbm	3.3V	LC	Y
SFP-GE-SM-1010	1.25Gbps	10km	1310nm	1310nm	-9~-3dbm	< -22dbm	3.3V	LC	Y
SFP-GE-SM-1020	1.25Gbps	20km	1310nm	1310nm	-9~-3dbm	< -23dbm	3.3V	LC	Y
SFP-GE-SM-1040	1.25Gbps	40km	1310nm	1310nm	-5~0dbm	< -23dbm	3.3V	LC	Y
SFP-GE-SM-1060	1.25Gbps	60km	1550nm	1550nm	-2~3dbm	< -23dbm	3.3V	LC	Y
SFP-GE-SM-1080	1.25Gbps	80km	1550nm	1550nm	0~5dbm	< -26dbm	3.3V	LC	Y
SFP-GE-SM-1100	1.25Gbps	100km	1550nm	1550nm	0~5dbm	< -32dbm	3.3V	LC	Y