



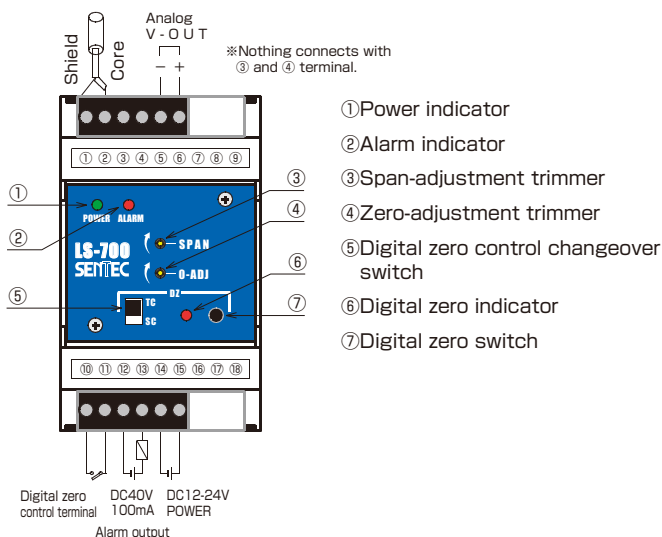
- Strongly and high accuracy temperature change
- Frequency response 10kHz
- Sensor disconnection featured
- Digital Zero featured
- Various units can be added (bus connector connection)

SPECIFICATIONS

CONTROLLER	LS-700-08	LS-700-1	LS-700-2A	LS-700-2B	LS-700-4A	LS-700-4B	LS-700-5	LS-700-10
SENSOR ITEM	HA-30S	HA-50S	HA-80S	HA-101S	HA-141S	HA-225S	HA-162S	HA-222R
MEASURING RANGE	0~0.8mm	0~1mm	0~2mm		0~3.5mm		0~5mm	0~10mm
OUTPUT VOLTAGE	0~0.8V	0~1V	0~2V		0~3.5V		0~5V	0~10V
LINEARITY	±1% of F.S							
RESOLUTION	0.1% of F.S(1μm minimum)							
RESPONSE	DC~10KHz (-3dB)							
OUTPUT IMPEDANCE	52Ω							
STABILITY	CONTROLLER: 0.01% of F.S SENSOR-HEAD: 0.02% of F.S/°C							
AMBIENT TEMPERATURE	CONTROLLER: -10~+60°C SENSOR-HEAD: -20~+70°C							
AMBIENT HUMIDITY	35~85%RH, (no condensation)							
POWER	DC+12V~+24V ±10% Ripple10% or less							
CONSUMPTION	250mA or less							
DIGITAL ZERO FUNCTION	The present output value is made into zero. Error±0.1% of F.S							
ALARM OUTPUT	Disconnection of a sensor-head or poor connection is detected. (NPN open-collector transistor)							
OPTION	SP (high resolution) : 0.03% of F.S(0.3μm minimum)							

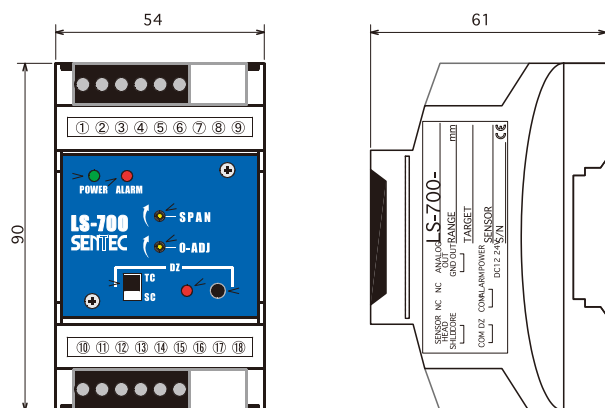
CONNECTION

LS-700-□□



CONTORLLER DIMENSIONS

(unit : mm)

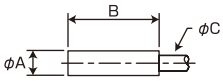


SENSOR-HEAD DIMENSIONS

●(Please consult us for horizontal) sensor head

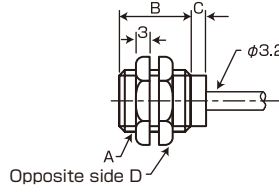
(unit : mm)

HA-30S~80S



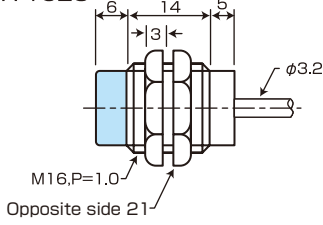
MARK TYPE	A	B	C
HA-30S	3.6	15	2.6
HA-50S	5.4	15	3.2
HA-80S	8	15	3.2

HA-101S,141S

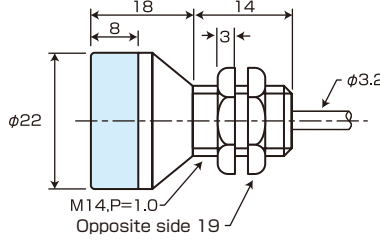


MARK TYPE	A	B	C	D
HA-101S	M10,P=1.0	12	3	14
HA-141S	M14,P=1.0	15	5	19

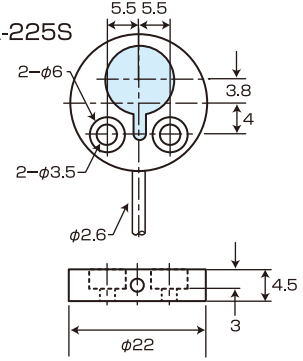
HA-162S



HA-222R



HA-225S

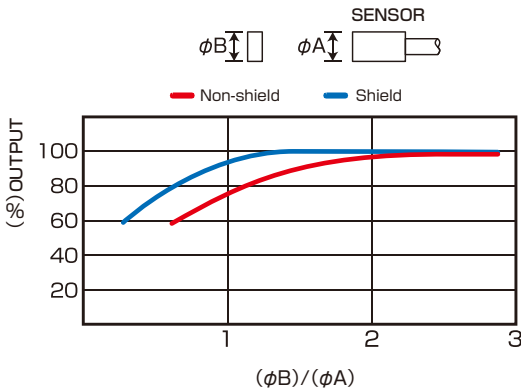


3m of standard coaxial cord is attached to each sensor-head.

REFERENCE DATA

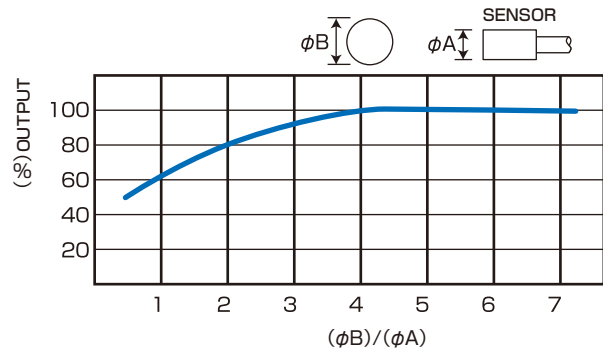
(1)For the area of object

A specification value will be satisfied, if an object is a thing which has more than the diameter of the following graph when a subject is used as a disk.



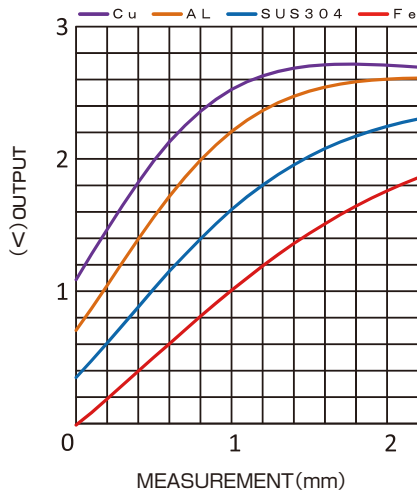
(2)For a pillar shape object

A specification value will be satisfied, if the diameter of the pillar of a subject is by the thing which has 5 or more times of the diameter of a sensor head.

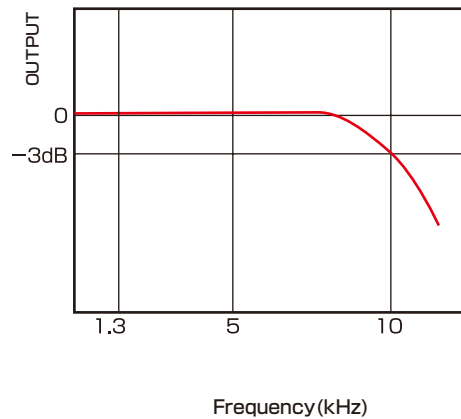


(3)The characteristic over metals other than iron.

※Zero adjustment and Span adjustment are the graph set up similarly to an iron state.



(4)Response For Frequency (LS-700)



※The whole data can be different depending on the operating environment.

CONNECTION BY BUS CONNECTORS

It is possible to increase controllers using bus connector (sold separately) simply and easily.

※ The expansion unit connection lies left side of the controller.

①LS-700 multiple connection

Share: Power supply

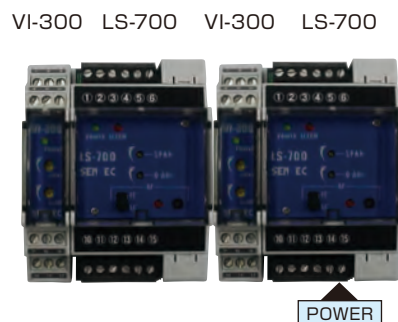
Max: Up to 8 LS-700 increasable
(when the power supply is DC24)



④LS-700 and VI-300 connection

Share: Power supply and analog output

Max: Up to 3 sets of LS-700 and VI-300 increasable
(when the power supply is DC24)



※The specification of VI-300 is listed on page 25.

②LS-700 and DLC-500 connection

Share: Power supply and analog output

Max: Up to 4 sets of LS-700 and DLC-500 increasable
(when the power supply is DC24)



※The specification of DLC-500 is listed on page 23.

⑤LS-700 and VI-500 connection

Share: Power supply and analog output

Max: Up to 3 sets of LS-700 and VI-500 increasable
(when the power supply is DC24)



※The specification of VI-500 is listed on page 25

③LS-700, DLC-500 and CH-500 connection

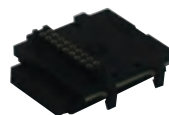
Share: Power supply and analog output

Max: Up to 3 sets of LS-700, DLC-500 and CH-500
increasable (when the power supply is DC24)



※The specification of DLC-500 and CH-500 is listed on page 23 and 24.

Bus connector (optional)



BCN-356
(dedicated for -300 or -500)



BCN-536
(dedicated for -700)