

SYT320240FZK

v1.0

ShenZhen TCC LCD Hi-Tech CO.,Ltd

TEL:13430801109 075529644106 FAX:27897479

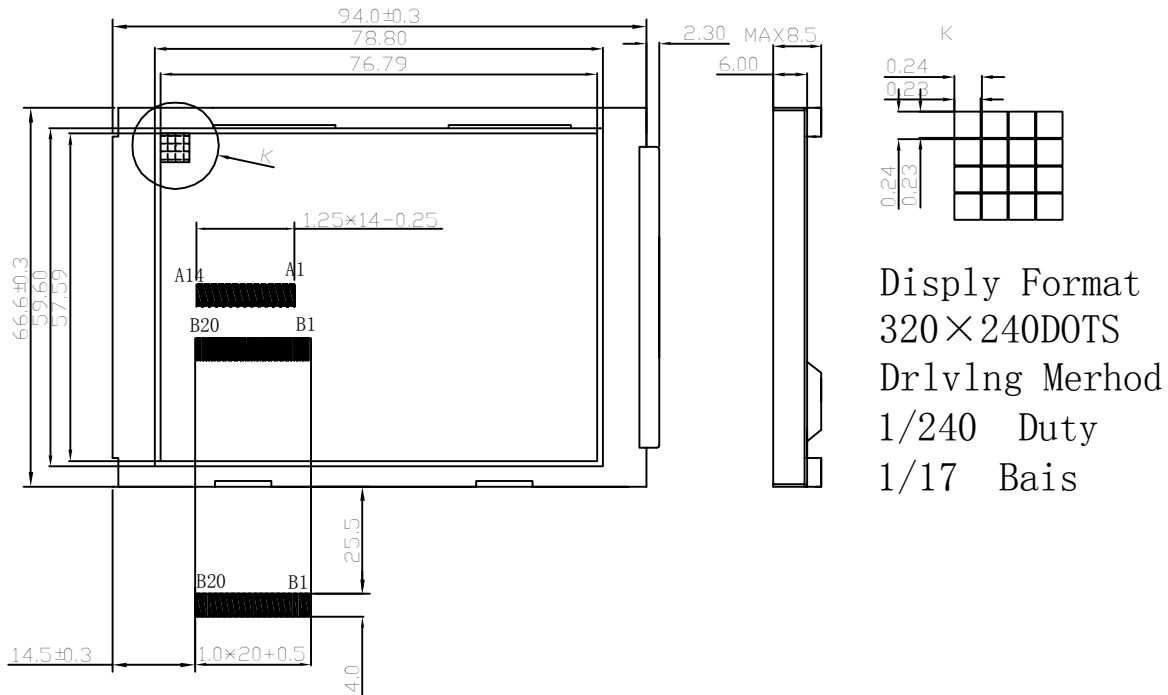
http://www.lcdicm.net

Email:tccsz@163.com

地址: 深圳市宝安区39区4号厂房2楼



① PHYSICAL DIMENSION/外型尺寸



② FEATURES/特征

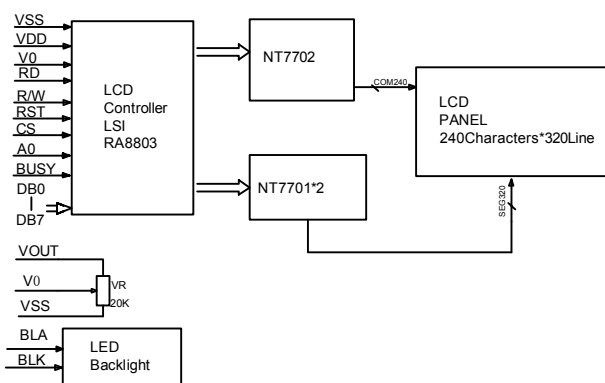
Feature(特征)	UNIT(单位)
LCD type & Colour(类型及颜色)	STN Blue ;FSTN
View Angle(视角)	6 0° clock
Operating temperature(工作温度)	-20℃ ---- 70℃
Storage Temperature(贮存温度)	-30℃ ---- 80℃
Control IC & Package(控制芯片及封装)	RA8803 TAB
Weight(重量)	108 (With B/L) g
Backlight(背光类型)	LED

Ta=25℃	MIN(最小)	TYP(典型)	MAX(最大)	UNIT(单位)
Supply current don't contain backlight(无背光时电流)	0	69		mA
VDD(电源)	-0.3	5.0		V
VLCD-V0(LCD驱动电压)	0	+19.0		V
Backlight LED (背光电压,电流)	侧背光	0	5.0	V
		0	120	mA
				V
				mA

③ PIN CONFIGURATION/管脚说明

PIN	SYMBOL	DESCRIPTION/定义描述(B)	
1	VSS	Power ground (地)	
2	VDD	Power positive(逻辑电压)	
3	V0	Operating voltage for LCD Driver(对比度调节)	
4	R/W	Read or Write.(写数据)	
5	RD	Register select(读信号)	
6	CS	Chip select (片选)	
7	A0	H:Data L:Instruction Code(指令 数据信号)	
8	RST	Reset Signal (复位)	
9	DB0	Data bus [0~7]. There state I/O common terminal. (数据线0-7)	
16	DB7		
17	BUSY		Busy Check Pin(忙信号)
18	VOUT		Negative voltage output(负压输出)
19	BLA		Power supply for backligh(+)(背光正极)
20	BLK		Power supply for backligh(-)(背光负极)

④ BLOCK DIAGRAM/原理电路



PIN	SYMBOL	DESCRIPTION/定义描述(A)
1	FLM	Frame signal(每一帧开始)
2	CP	Data shift Pulse(数据移位信号)
3	LP	Data Latch Pulse(数据锁存信号)
4	NC	No connection(空脚)
5	DISP	Display ON/OFF(显示开关)
6	D0	Data bus [0~3]. There state I/O common terminal. (数据线0-3)
9	D3	
10	VDD	
11	VSS	Power ground (地)
12	V0	Operating voltage for LCD Driver(对比度调节)
13	BLA	Power supply for backligh(+)(背光正极)
14	BLK	Power supply for backligh(-)(背光负极)