

SYM32064A

V2.0

ShenZhen TCC LCD Hi-Tech CO.,Ltd

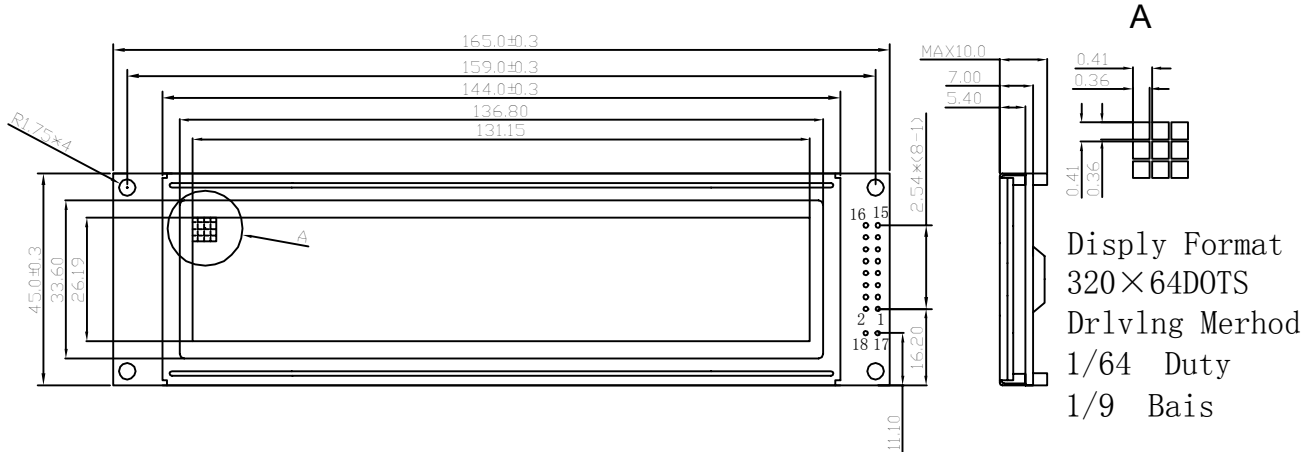
TEL:134 30801109 075529644106 FAX:27897479
http://www.lcdlcm.net

Email:tccsz@163.com

地址: 深圳市宝安区39区4号厂房2楼



① PHYSICAL DIMENSION/外型尺寸



② FEATURES/特征

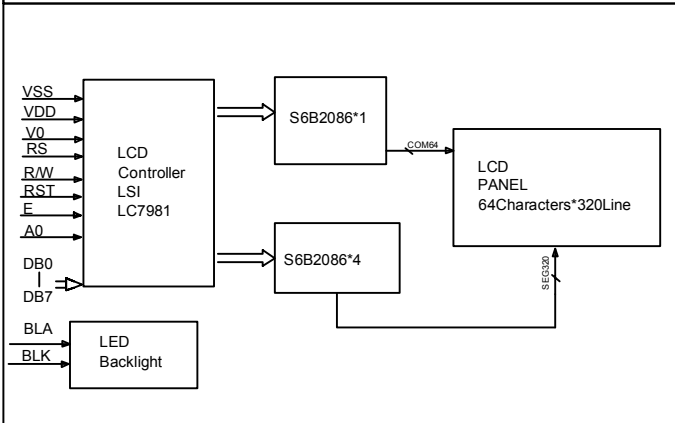
Feature(特征)	UNIT(单位)
LCD type & Colour(类型及颜色)	STN Blue ;FSTN
View Angle(视角)	6 0' c'clock
Operating temperature(工作温度)	-20℃ ---- 70℃
Storage Temperature(贮存温度)	-30℃ ---- 80℃
Control IC & Package(控制芯片及封装)	LC7981 SMT
Weight(重量)	90 (With B/L) g
Backlight(背光类型)	LED

Ta=25℃	MIN(最小)	TYP(典型)	MAX(最大)	UNIT(单位)
Supply current don't contain backlight(无背光时电流)	0	69		mA
VDD(电源)	-0.3	5.0		V
VLCD-V0(LCD驱动电压)	0	-19.0		V
Backlight LED (背光电压,电流)	侧背光	0	5.0	V
		0	150	mA
				V
				mA

③ PIN CONFIGURATION/管脚说明

PIN	SYMBOL	DESCRIPTION/定义描述 (J1)	
1	VSS	Power ground (地)	
2	VDD	Power positive(逻辑电压)	
3	V0	Operating voltage for LCD Driver(对比度调节)	
4	RS	Register select (指令, 数据寄存器)	
5	R/W	Read or Write. (读写数据)	
6	E	Enable signal for LCD(使能信号)	
7	DB0	Data bus [0~7]. There state I/O common terminal. (数据线0-7)	
14	DB7		
15	A0		H:Data L:Instruction Code(指令 数据信号)
16	RST		Reset Signal (复位)
17	BLA		Power supply for backligh(+)(背光正极)
18	BLK		Power supply for backligh(-)(背光负极)

④ BLOCK DIAGRAM/原理电路



⑤ ELUCIDATION/补充备注

--