

SYB24064BZK

v3.0

ShenZhen TCC LCD Hi-Tech CO.,Ltd

TEL:13430801109 075529644106 FAX:27897479

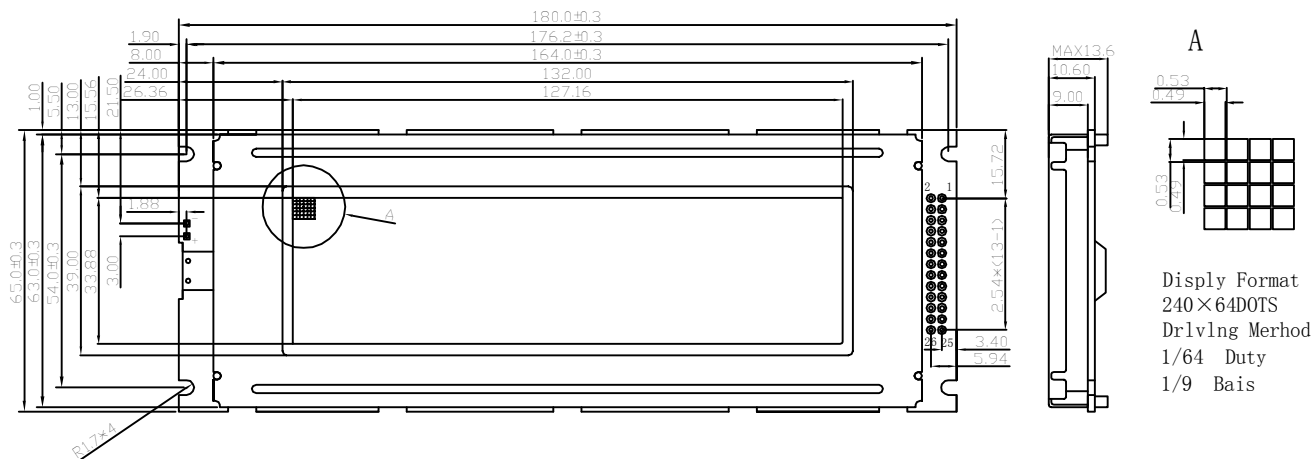
http://www.lcdlcm.net

Email:tccsz@163.com

地址:深圳市宝安区39区4号厂房2楼



① PHYSICAL DIMENSION/外型尺寸

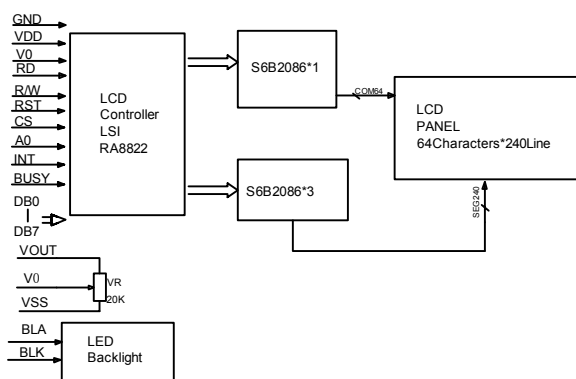


② FEATURES/特征

Feature(特征)	UNIT(单位)
LCD type & Colour(类型及颜色)	STN Yellow-green ;STN Blue ;FSTN
View Angle(视角)	6 0' clock
Operating temperature(工作温度)	-20℃ ---- 70℃
Storage Temperature(贮存温度)	-30℃ ---- 80℃
Control IC & Package(控制芯片及封装)	RA8822 SMT
Weight(重量)	162 (With B/L)
Backlight(背光类型)	LED

Ta=25℃	MIN(最小)	TYP(典型)	MAX(最大)	UNIT(单位)
Supply current don't contain backlight(无背光时电流)	0	12.0		mA
VDD(电源)	-0.3	5.0	5.5	V
VLCD-V0(LCD驱动电压)	0	-6.8		V
Backlight LED (背光电压,电流)	侧背光	0	5.0	V
		0	75	mA
	底背光	0	5.0	V
		0	180	mA

④ BLOCK DIAGRAM/原理电路



③ PIN CONFIGURATION/管脚说明

PIN	SYMBOL	DESCRIPTION(定义描述)
1	FG	Frame Grokund(铁框地)
2	GND	Power ground (地)
3	VDD	Power positive(逻辑电压)
4	V0	Operating voltage for LCD Driver(对比度调节)
5	R/W	Read or Write.(写数据)
6	RD	Register select(读信号)
7	CE	Chip select (片使能信号)
8	C/D	H:Data L:Instruction Code(指令 数据信号)
9	NC	No connection(空脚)
10	RST	Reset Signal (复位)
11	DB0	Data bus [0~7]. There state I/O common terminal.(数据线0-7)
12	DB1	
13	DB2	
14	DB3	
15	DB4	
16	DB5	
17	DB6	
18	DB7	
19	NC	No connection(空脚)
20	VOUT	Negative voltage output (负压输出)
21	INT	Interruupt output Pin(中断)
22	BUSY	Busy Check Pin(忙信号)
23	BLA	Power supply for backligh(+)(背光正极)
24	BLK	Power supply for backligh(+)(背光负极)
25	BLA	Power supply for backligh(+)(背光正极)
26	BLK	Power supply for backligh(+)(背光负极)

⑤ ELUCIDATION/补充备注