

SYB19264A

v1.1

ShenZhen TCC LCD Hi-Tech CO.,Ltd

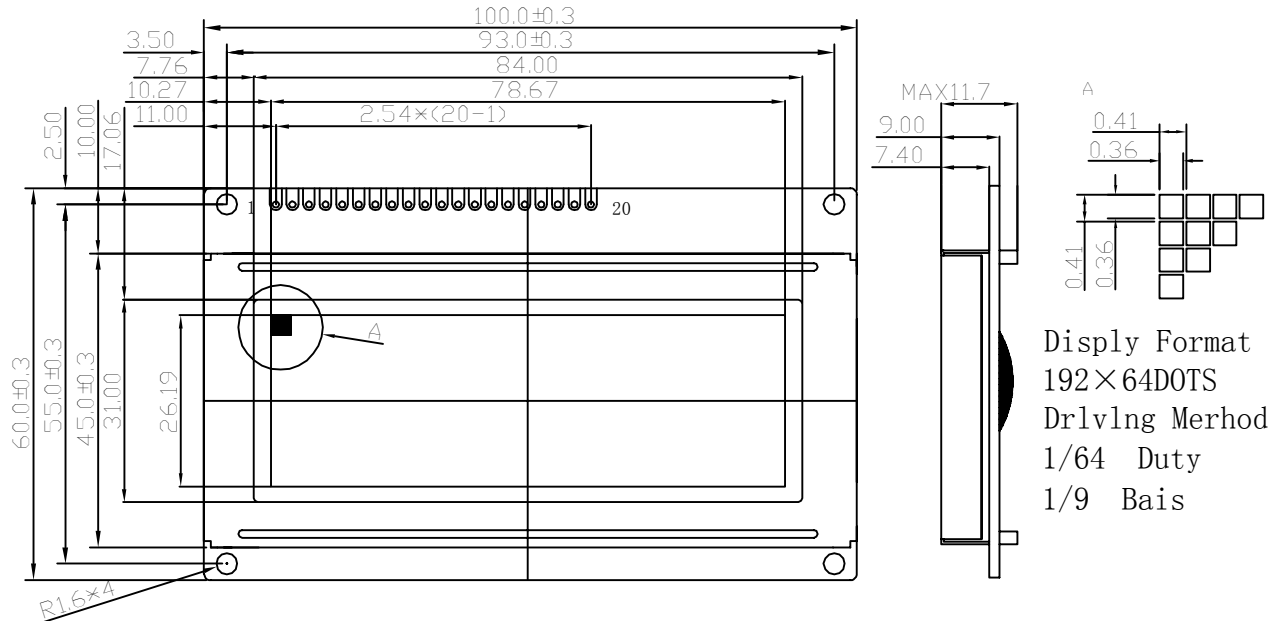
TEL:13430801109 075529644106 FAX:27897479
http://www.lcdlcm.net

Email:tccsz@163

地址:深圳市宝安区39区4号厂房2楼



① PHYSICAL DIMENSION/外型尺寸

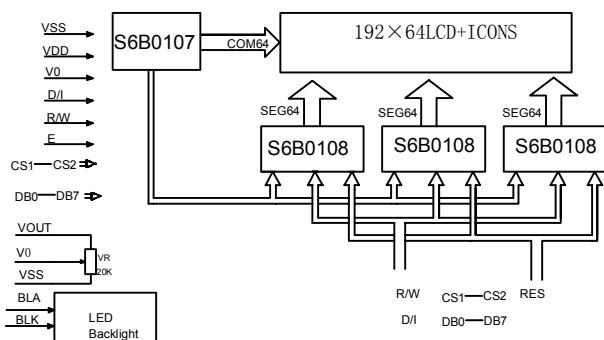


② FEATURES/特征

Feature(特征)	UNIT(单位)
LCD type & Colour(类型及颜色)	STN Yellow-green ;STN Blue
View Angle(视角)	6 0° clock
Operating temperature(工作温度)	-20°C ---- 70°C
Storage Temperature(贮存温度)	-30°C ---- 80°C
Control IC & Package(控制芯片及封装)	S6B0107 , COB
Weight(重量)	73 (With B/L)
Backlight(背光类型)	LED

Ta=25°C	MIN(最小)	TYP(典型)	MAX(最大)	UNIT(单位)	
Supply current don't contain backlight(无背光时电流)	0	9.2		mA	
VDD(电源)	-0.3	3.0	5.0	5.5 V	
VLCD-V0(LCD驱动电压)	0	-6.8		V	
Backlight LED (背光电压,电流)	侧背光	0	3.0	5.0	5.0 V
	底背光	0	75	75	mA
			5.0	5.5	V
			180		mA

④ BLOCK DIAGRAM/原理电路



③ PIN CONFIGURATION/管脚说明

PIN	SYMBOL	DESCRIPTION(定义描述)	
1	DB0	Data bus [0~7]. There state I/O common terminal. (数据线0-7)	
8	DB7		
9	E		Enable trigger. (使能信号)
10	R/W		Read or Write. (写数据)
11	RS		H:Data L:Instruction Code(指令 数据信号)
12	V0		Operating voltage for LCD Driver(对比度调节)
13	VDD		Power positive(逻辑电压)
14	VSS		Power ground (地)
15	CS2	Chip select signal(片选2)	
16	CS1	Chip select signal(片选1)	
17	VOUT	Negative voltage output (负压输出)	
18	RST	Reset Signal (复位)	
19	BLA	Power supply for backligh(+)(背光正极)	
20	BLK	Power supply for backligh(-)(背光负极)	

⑤ ELUCIDATION/补充备注

--