

# SYB12864A

v2.0

ShenZhen TCC LCD Hi-Tech CO.,Ltd

TEL:13430801109 075529644106 FAX:27897479

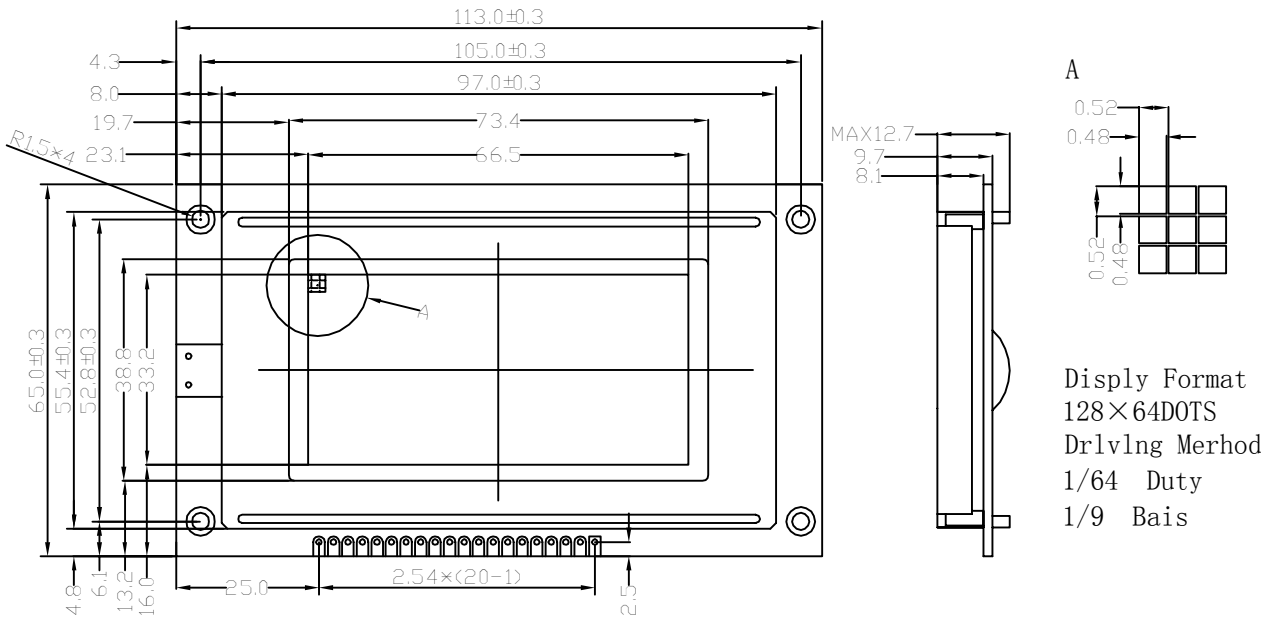
http://www.lcdlcm.net

Email:tccsz@163.com

地址: 深圳市宝安区39区4号厂房2楼



## ① PHYSICAL DIMENSION/外型尺寸

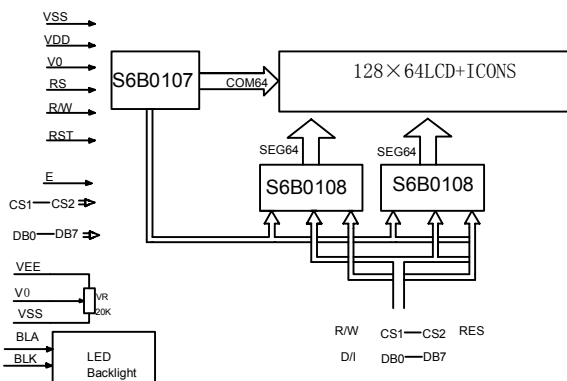


## ② FEATURES/特征

Feature(特征)	UNIT(单位)
LCD type & Colour(类型及颜色)	STN Yellow-green ;STN Blue
View Angle(视角)	6 0' c'clock
Operating temperature(工作温度)	-20℃ ---- 70℃
Storage Temperature(贮存温度)	-30℃ ---- 80℃
Control IC & Package(控制芯片及封装)	S6B0107 , COB
Weight(重量)	98 (With B/L)
Backlight(背光类型)	LED

	Ta=25℃	MIN(最小)	TYP(典型)	MAX(最大)	UNIT(单位)
Supply current don't contain backlight(无背光时电流)	0		9.2		mA
VDD(电源)	-0.3		5.0	5.5	V
VLCD-V0(LCD驱动电压)	0		-4.7		V
Backlight LED (背光电压,电流)	侧背光	0	5.0	5.0	V
	底背光	0	75		mA
		0	5.0	5.5	V
		0	180		mA

## ④ BLOCK DIAGRAM/原理电路



## ③ PIN CONFIGURATION/管脚说明

PIN	SYMBOL	DESCRIPTION(定义描述)	
1	VSS	Power ground (地)	
2	VDD	Power positive(逻辑电压)	
3	V0	Operating voltage for LCD Driver(对比度调节)	
4	RS	H:Data L:Instruction Code(指令 数据信号)	
5	R/W	Read or Write.(写数据)	
6	E	Enable trigger.(使能信号)	
7	DB0	Data bus [0~7]. There state I/O common terminal.(数据线0-7)	
14	DB7		
15	CS1		Chip select signal(片选1)
16	CS2		Chip select signal(片选2)
17	RST		Reset Signal(复位)
18	VEE		Negative voltage output(负压输出)
19	BLA		Power supply for backligh(+)(背光正极)
20	BLK	Power supply for backligh(+)(背光负极)	

## ⑤ ELUCIDATION/补充备注