

SYB12864K-ZK

v1.3

ShenZhen TCC LCD Hi-Tech CO.,Ltd

TEL:13430801109 075529644106 FAX:27897479

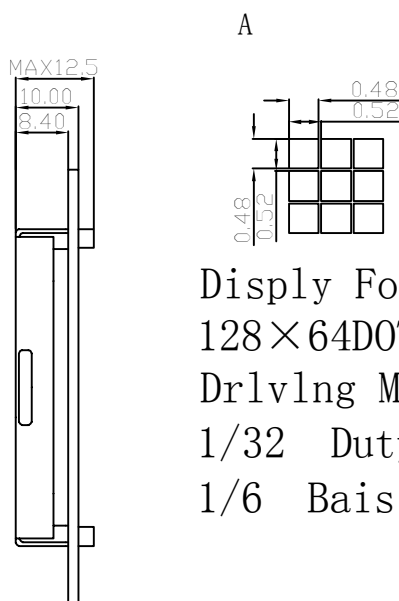
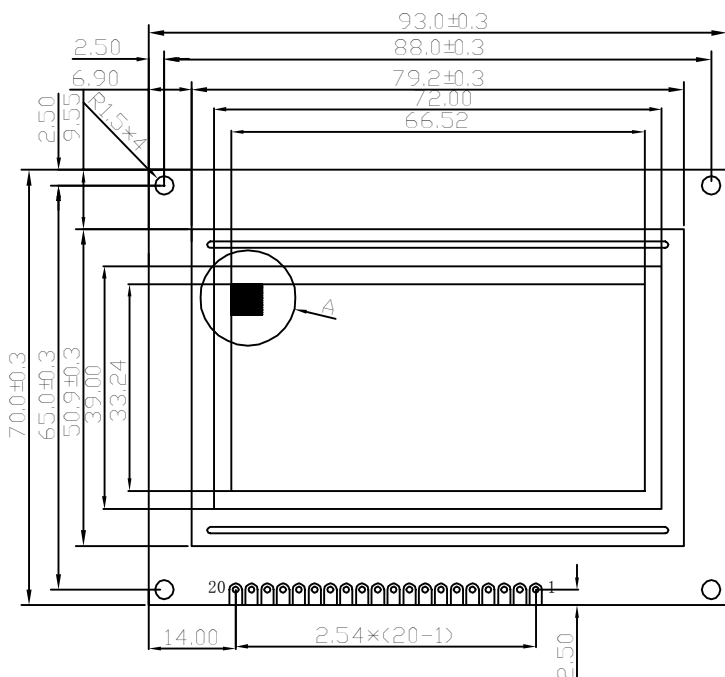
http://www.lcdicm.net

Email:tccsz@163.com

地址: 深圳市宝安区39区4号厂房2楼



① PHYSICAL DIMENSION/外型尺寸



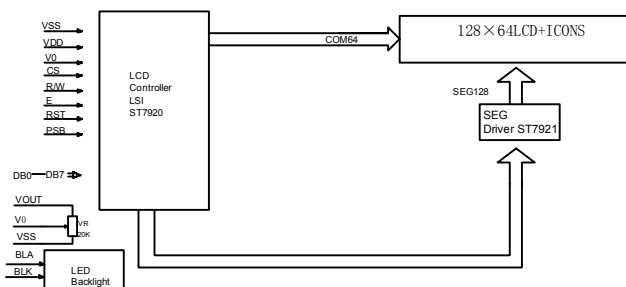
Display Format
128×64DOTS
Driving Method
1/32 Duty
1/6 Bias

② FEATURES/特征

Feature(特征)	UNIT(单位)
LCD type & Colour(类型及颜色)	STN Yellow-green ;STN Blue;FSTN
View Angle(视角)	6 0' clock
Operating temperature(工作温度)	-20℃ ---- 70℃
Storage Temperature(贮存温度)	-30℃ ---- 80℃
Control IC & Package(控制芯片及封装)	ST7920 , COB
Weight(重量)	69 (With B/L) g
Backlight(背光类型)	LED

	Ta=25℃	MIN(最小)	TYP(典型)	MAX(最大)	UNIT(单位)
Supply current don't contain backlight(无背光时电流)		0	12.0		mA
VDD(电源)		-0.3	5.0	5.5	V
VLCD-V0(LCD驱动电压)		0	6.8		V
Backlight LED (背光电压,电流)	侧背光	0	5.0	5.0	V
		0	75		mA
	底背光	0	5.0	5.5	V
		0	180		mA

④ BLOCK DIAGRAM/原理电路



③ PIN CONFIGURATION/管脚说明

PIN	SYMBOL	DESCRIPTION(定义描述)	
1	VSS	Power ground (地)	
2	VDD	Power positive(逻辑电压)	
3	V0	Operating voltage for LCD Driver(对比度调节)	
4	CS	Chip select signal(片选)	
5	R/W	Read or Write.(写数据)	
6	E	Enable trigger.(使能信号)	
7	DB0	Data bus [0~7]. There state I/O common terminal.(数据线0-7)	
14	DB7		
15	PSB		H:Data L:Instruction Code(指令 数据信号)
16	NC		No connection(空脚)
17	RST		Reset Signal(复位)
18	VOUT		Negative voltage output(负压输出)
19	BLA		Power supply for backligh(+)(背光正极)
20	BLK		Power supply for backligh(+)(背光负极)

⑤ ELUCIDATION/补充备注

1, contain the controller cent simplified Chinese character of the Chinese word database and traditional Chinese character [1, 含中文字库控制器分简体中文和繁体中文]