

SYB12864D

ShenZhen TCC LCD Hi-Tech CO.,Ltd

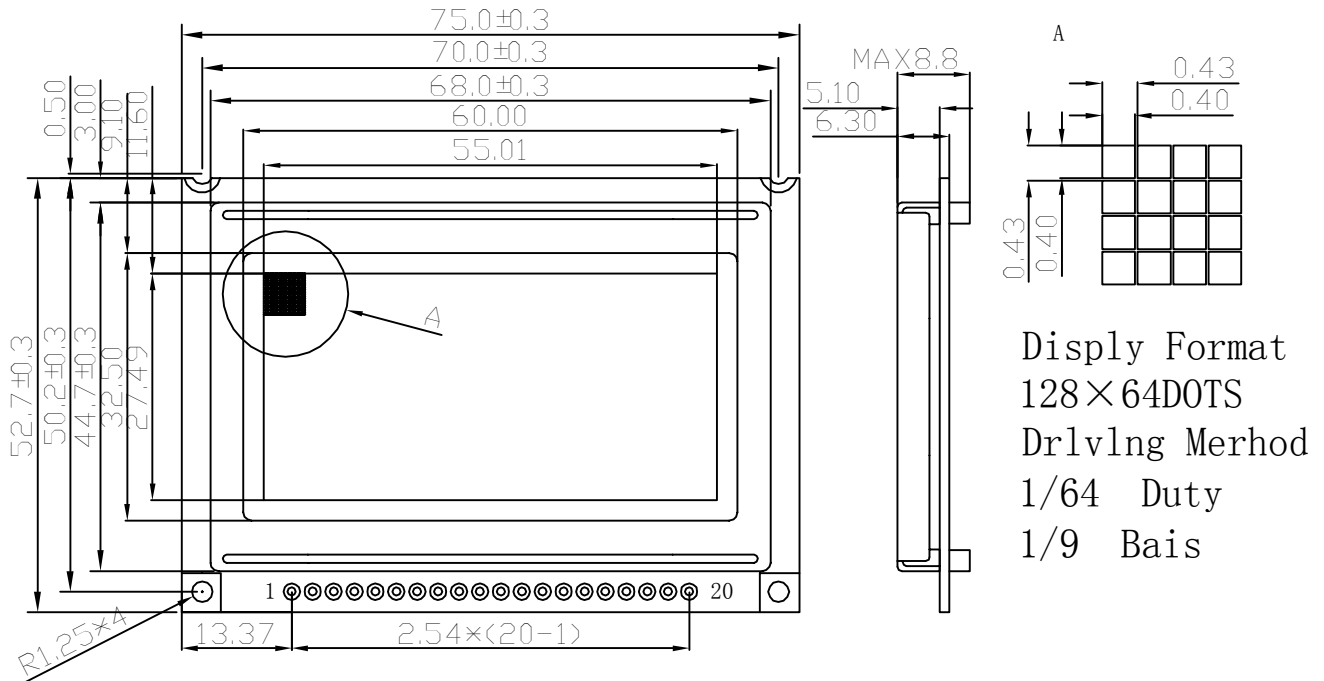
TEL:13430801109 075529644106 FAX:27897479
http://www.lcdlcm.net

Email:tccsz@163.com

地址: 深圳市宝安区39区4号厂房2楼



① PHYSICAL DIMENSION/外型尺寸

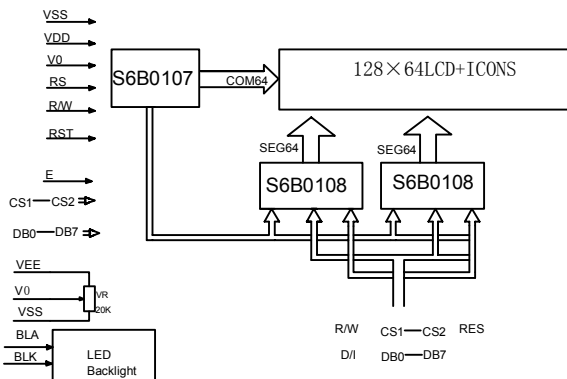


② FEATURES/特征

Feature(特征)	UNIT(单位)
LCD type & Colour(类型及颜色)	STN Yellow-green
View Angle(视角)	6 0' clock
Operating temperature(工作温度)	-20℃ ---- 70℃
Storage Temperature(贮存温度)	-30℃ ---- 80℃
Control IC & Package(控制芯片及封装)	S6B0107, COB
Weight(重量)	36 (With B/L)
Backlight(背光类型)	LED

	Ta=25℃	MIN(最小)	TYP(典型)	MAX(最大)	UNIT(单位)
Supply current don't contain backlight(无背光时电流)	0		9.2		mA
VDD(电源)	-0.3		5.0	5.5	V
VLCD-V0(LCD驱动电压)	0		-4.7		V
Backlight LED (背光电压,电流)	侧背光	0	5.0	5.0	V
	底背光	0	65		mA

④ BLOCK DIAGRAM/原理电路



③ PIN CONFIGURATION/管脚说明

PIN	SYMBOL	DESCRIPTION(定义描述)	
1	VDD	Power positive(逻辑电压)	
2	VSS	Power ground(地)	
3	V0	Operating voltage for LCD Driver(对比度调节)	
4	DB0	Data bus [0~7]. There state I/O common terminal.(数据线0-7)	
11	DB7		
12	CS1		Chip select signal(片选1)
13	CS2		Chip select signal(片选2)
14	RST		Reset Signal(复位)
15	RW		Read or Write.(写数据)
16	RS		H:Data L:Instruction Code(指令 数据信号)
17	E	Enable trigger.(使能信号)	
18	VEE	Negative voltage output(负压输出)	
19	BLA	Power supply for backligh(+)(背光正极)	
20	BLK	Power supply for backligh(+)(背光负极)	

⑤ ELUCIDATION/补充备注