

SYB12232A1

v1.0

ShenZhen TCC LCD Hi-Tech CO.,Ltd

TEL:13430801109 075529644106 FAX:27897479

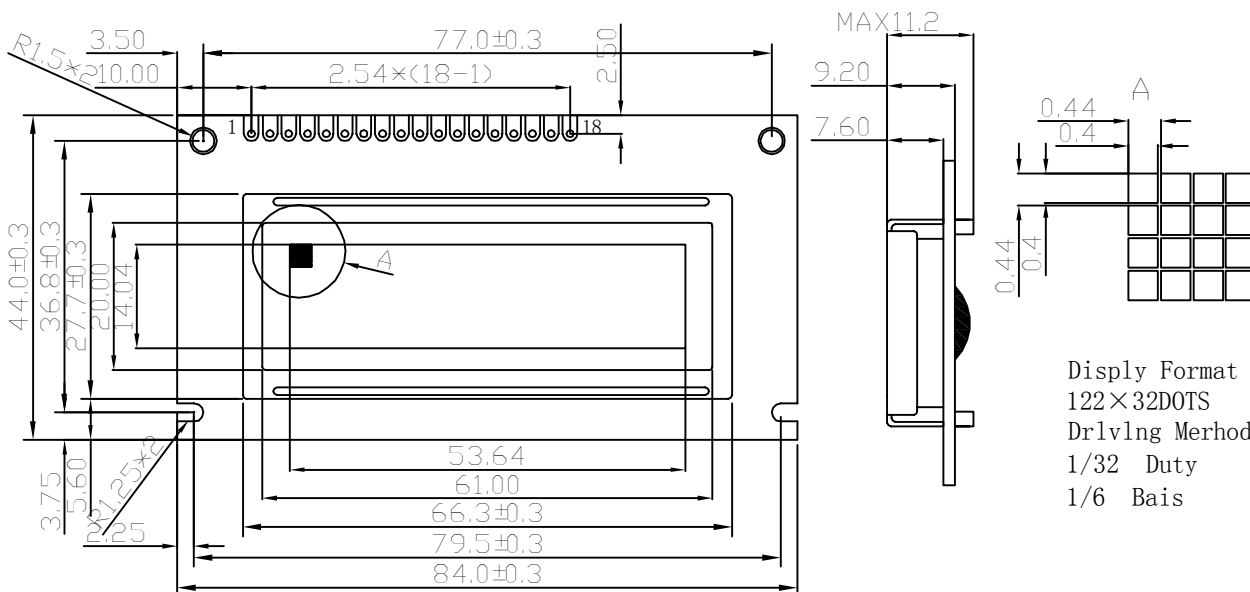
http://www.lcdicm.net

Email:tccsz@163.com

地址: 深圳市宝安区39区4号厂房2楼



① PHYSICAL DIMENSION/外型尺寸

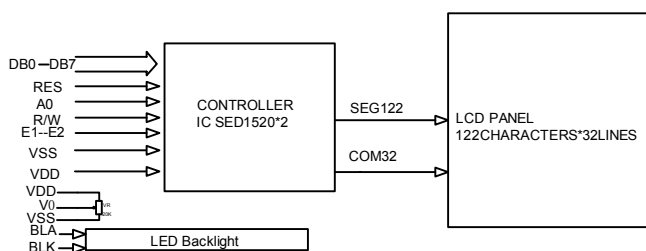


② FEATURES/特征

Feature(特征)	UNIT(单位)
LCD type & Colour(类型及颜色)	STN Yellow-green ;STN Blue
View Angle(视角)	6 0' clock
Operating temperature(工作温度)	-0°C ---- 50°C
Storage Temperature(贮存温度)	-10°C ---- 60°C
Control IC & Package(控制芯片及封装)	SED1520 , COB
Weight(重量)	32 (With B/L) g
Backlight(背光类型)	LED

	Ta=25°C	MIN(最小)	TYP(典型)	MAX(最大)	UNIT(单位)
Supply current don't contain backlight(无背光时电流)	0		8		mA
VDD(电源)	-0.3		5.0		V
VLCD-V0(LCD驱动电压)	0		5.0		V
Backlight LED (背光电压,电流)	侧背光	0	5.0		V
	底背光	0	75		mA
		0	5.0		V
		0	180		mA

④ BLOCK DIAGRAM/原理电路



③ PIN CONFIGURATION/管脚说明

ITEM	SYMBOL	DESCRIPTION	
1	VDD	Power positive (逻辑电压)	
2	VSS	Power ground (地)	
3	V0	Operating voltage for LCD Driver(对比度调节)	
4	RES	Reset Signal (复位)	
5	E1	Enable trigger. (使能信号1)	
6	E2	Enable trigger. (使能信号2)	
7	R/W	Read or Write. (写数据)	
8	A0	H:Data L:Instruction Code(指令 数据信号)	
9	DB0	Data bus [0~7]. There state I/O common terminal. (数据线0-7)	
16	DB7		
17	BLA		Power supply for backligh(+)(背光正极)
18	BLK		Power supply for backligh(-)(背光负极)

⑤ ELUCIDATION/补充备注

1. Manifestation cent cent hold manifestation with whole hold manifestation Two kinds, attention press to need to be choose!

1. 显示分全屏显示和分屏显示两种, 注意按需要选择!