

# SYB12232AZK

v1.0

ShenZhen TCC LCD Hi-Tech CO.,Ltd

TEL:13430801109 075529644106 FAX:27897479

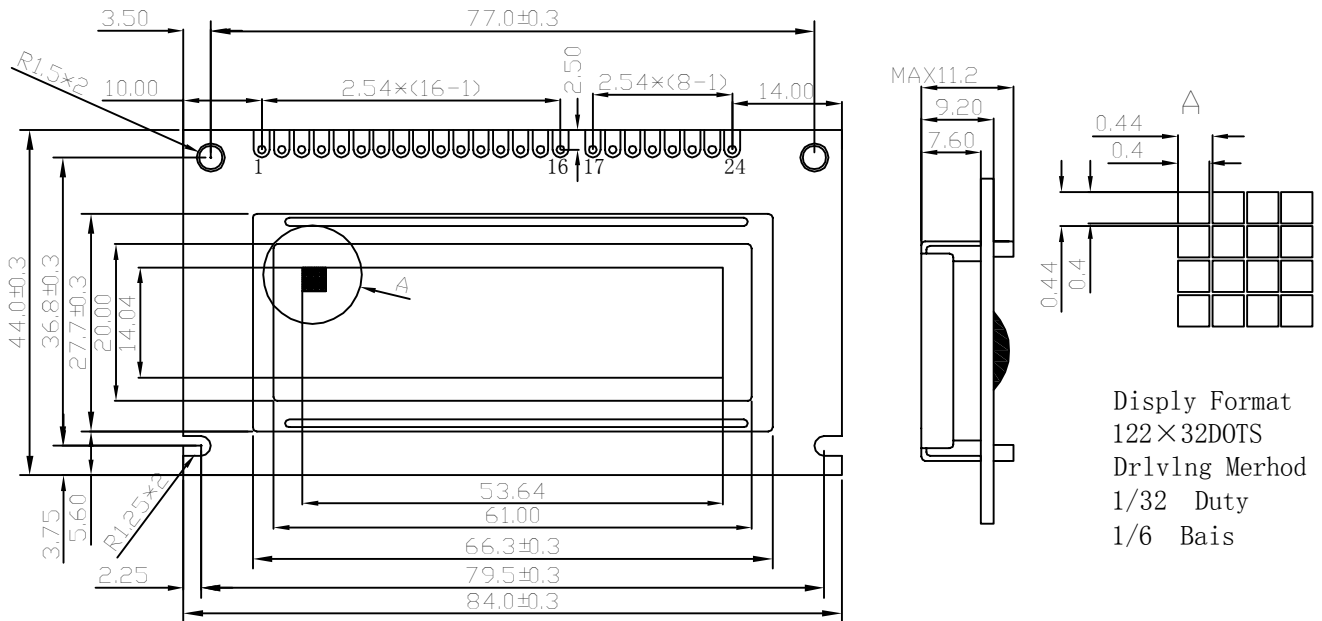
http://www.lcdicm.net

Email:tccsz@163.com

地址:深圳市宝安区39区4号厂房2楼



## ① PHYSICAL DIMENSION/外型尺寸

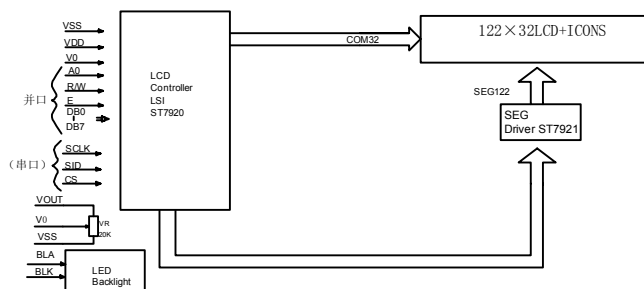


## ② FEATURES/特征

Feature(特征)	UNIT(单位)
LCD type & Colour(类型及颜色)	STN Yellow-green ;STN Blue
View Angle(视角)	6 0' c'clock
Operating temperature(工作温度)	-0℃ ---- 50℃
Storage Temperature(贮存温度)	-10℃ ---- 60℃
Control IC & Package(控制芯片及封装)	ST7920 , COB
Weight(重量)	32 (With B/L)
Backlight(背光类型)	LED

	Ta=25℃	MIN(最小)	TYP(典型)	MAX(最大)	UNIT(单位)
Supply current don't contain backlight(无背光时电流)	0		12.0		mA
VDD(电源)	-0.3		5.0	5.5	V
VLCD-V0(LCD驱动电压)	0		6.8		V
Backlight LED (背光电压,电流)	侧背光	0	5.0	5.0	V
	底背光	0	75		mA
		0	5.0	5.5	V
		0	180		mA

## ④ BLOCK DIAGRAM/原理电路



## ③ PIN CONFIGURATION/管脚说明

PIN	SYMBOL	DESCRIPTION(定义描述)	
1	VSS	Power ground (地)	
2	VDD	Power positive(逻辑电压)	
3	V0	Operating voltage for LCD Driver(对比度调节)	
4	A0	H:Data L:Instruction Code(指令 数据信号)	
5	R/W	Read or Write.(写数据)	
6	E	Enable trigger.(使能信号)	
7	DB0	Data bus [0~7]. There state I/O common terminal.(数据线0-7)	
14	DB7		
15	BLA		Power supply for backligh(+)(背光正极)
16	BLK		Power supply for backligh(+)(背光负极)
17	VSS		Power ground (地)
18	VDD		Power positive(逻辑电压)
19	V0		Operating voltage for LCD Driver(对比度调节)
20	SCLK		Serial clock(输入脉冲, 串行)
21	SID	Serial data for serial mode.(输入数据, 串行)	
22	CS	Chip select signal(片选)	
23	BLA	Power supply for backligh(+)(背光正极)	
24	BLK	Power supply for backligh(+)(背光负极)	

## ⑤ ELUCIDATION/补充备注

1. Manifestation cent cent hold manifestation with whole hold manifestation Two kinds, attention press to need to be choose! [1. 显示分全屏显示和分屏显示两种, 注意按需要选择!]
2. contain the controller cent simplified Chinese character of the Chinese word database and traditional Chinese character [2. 含中文字库控制器分简体中文和繁体中文]