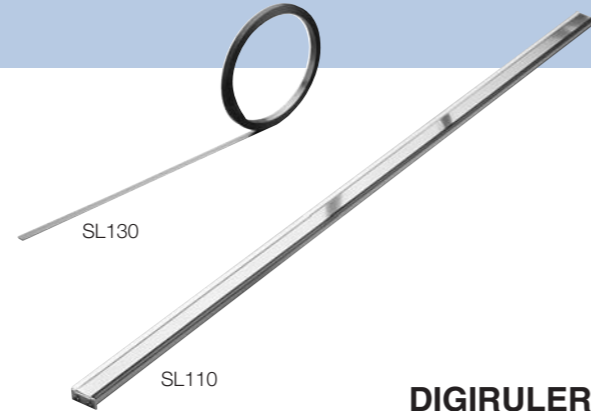


SL

SL110/SL130

Non-contact detection and a long measuring range

- Magnetic principle
- Excellent resistance to workshop conditions (PL20C equivalent to IP65). Resistant to oil, dirt, vibration, and shock.
- Resolution: 10 μm
- Max. response speed: 300 m/min (varies with the read head and settings).
- Available in lengths up to 30 m (SL130)
- High cost efficiency. Easy installation on all types of machines from wood working to metal cutting.

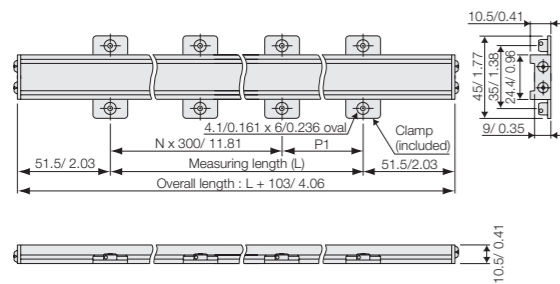


DIGIRULER®

| Scale | Head/Cable | Counter |
|-----------|------------|-----------------------------------|
| SL110/130 | PL20C | LH70/71, LH72 LY71, LY72, LG20 |

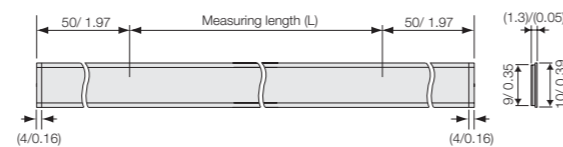
Dimensions

SL110



| Model name | Effective length | N | P1 | Number of Clamps |
|------------|------------------|---|-----|------------------|
| SL110-20 | 200 | 0 | 200 | 4 |
| SL110-30 | 300 | 1 | 0 | 4 |
| SL110-40 | 400 | 1 | 100 | 6 |
| SL110-50 | 500 | 1 | 200 | 6 |
| SL110-60 | 600 | 2 | 0 | 6 |
| SL110-70 | 700 | 2 | 100 | 8 |
| SL110-80 | 800 | 2 | 200 | 8 |
| SL110-100 | 1000 | 3 | 100 | 10 |
| SL110-120 | 1200 | 4 | 0 | 10 |
| SL110-150 | 1500 | 5 | 0 | 12 |
| SL110-160 | 1600 | 5 | 100 | 14 |
| SL110-170 | 1700 | 5 | 200 | 14 |
| SL110-180 | 1800 | 6 | 0 | 14 |
| SL110-200 | 2000 | 6 | 200 | 16 |

SL130



| Model name | Effective length | Movable length | Overall length |
|------------|------------------|----------------|----------------|
| SL130-20 | 200 | 230 | 300 |
| SL130-30 | 300 | 330 | 400 |
| SL130-40 | 400 | 430 | 500 |
| SL130-50 | 500 | 530 | 600 |
| SL130-60 | 600 | 630 | 700 |
| SL130-70 | 700 | 730 | 800 |
| SL130-80 | 800 | 830 | 900 |
| SL130-100 | 1000 | 1030 | 1100 |
| SL130-120 | 1200 | 1230 | 1300 |
| SL130-150 | 1500 | 1530 | 1600 |
| SL130-160 | 1600 | 1630 | 1700 |
| SL130-170 | 1700 | 1730 | 1800 |
| SL130-180 | 1800 | 1830 | 1900 |
| SL130-200 | 2000 | 2030 | 2100 |
| SL130-250 | 2500 | 2530 | 2600 |
| SL130-300 | 3000 | 3030 | 3100 |
| SL130-400 | 4000 | 4030 | 4100 |
| SL130-500 | 5000 | 5030 | 5100 |
| SL130-600 | 6000 | 6030 | 6100 |
| SL130-700 | 7000 | 7030 | 7100 |
| SL130-800 | 8000 | 8030 | 8100 |

Unit : mm/inch

SL110/130 Specifications

| Model | SL110 | | SL130 | |
|---------------------------------|--------------------------------------------------------------------------------------------------------------------------------------------------|----------------------------------------------------------------------------------------------------------------------------------------------------------------------------------------------------------------------|-----------------------------------------------------------------------------------------------|--|
| | -20 to -200 | -20 to -700 | -800 to -3000 | |
| Effective length L mm (inch) | 200/300/400/500/600/700/800/1000/1200/ 1500/1600/1700/1800/2000 (7.8/11.8/15.7/19.6/23.6/27.5/31.4/39.3/47.2/ 59.0/62.9/66.9/70.8/78.7) | 200/300/400/500/600/700/800/1000/1200/ 1500/1600/1700/1800/2000/3000/ 4000/5000/6000/7000 (7.8/11.8/15.7/19.6/23.6/27.5/31.4/39.3/ 47.2/59.0/62.9/66.9/70.8/78.7/98.4/118.1/ 157.4/196.8/236.2/275.5) | 8000/9000/10000/20000/30000 (314.9/354.3/393.7/787.4/1181.1) | |
| Overall length | L+103 mm/ 4.1" | | L+100 mm/ 3.9" | |
| Accuracy (at 20 °C/68 °F) | ± (25 + 5L/ 1000) μm | | ± (25 + 5L/ 1000 + 10N) μm N=1 when L=8000 /9000/10000, N=2 when L=20000, N=3 when L=30000 | |
| Resolution | 10 μm | | | |
| Max. response speed | 300 m/ min | | | |
| Expansion coefficient | (11.1 ± 1) × 10 ⁻⁶ / °C | | (10.4 ± 1) × 10 ⁻⁶ / °C | |
| Operating temperature | -5 °C to 45 °C / 23 °F to 113 °F | | | |
| Storage temperature | -10 °C to 50 °C / 14 °F to 122 °F | | | |
| Compatible read head | PL20C | | | |

*Accuracy shows the value when used with PL20C read head.

PL

PL20C

Head cable unit

- Output signal: AB quadrature signal
- Resolution: 10 μm
- Max. response speed: 300 m/min (varies with the read head and settings).
- Excellent resistance to workshop conditions (IP65).
- Resistant to oil, dirt, vibration, and shock.

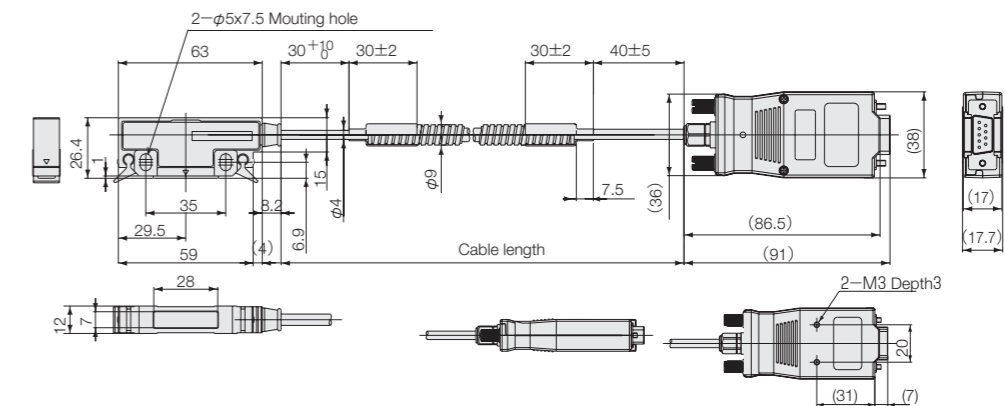


| Scale | Head/Cable | Counter |
|-----------|------------|-----------------------------------|
| SL110/130 | PL20C | LH70/71, LH72 LY71, LY72, LG20 |

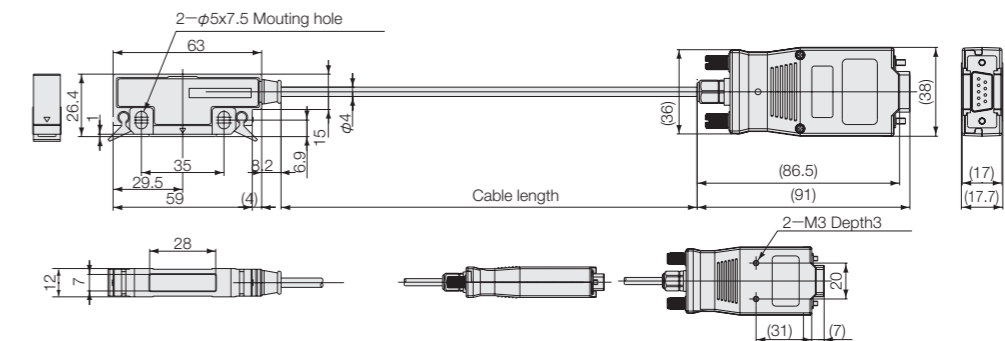
DIGIRULER®

Dimensions

PL20C-**C(Metal armor added)



PL20C-**



Unit : mm

Specifications

| Model | PL20C-3/-3C | PL20C-5/-5C | PL20C-10/-10C | PL20C-15/-15C | PL20C-20/-20C | PL20C-30 |
|-----------------------------------|----------------------------|-------------|---------------|---------------|---------------|----------|
| Cable length | 3 m | 5 m | 10 m | 15 m | 20 m | 30 m |
| Output signal | AB quadrature signal | | | | | |
| Resolution | 10 μm | | | | | |
| Max. response speed | 300m/min | | | | | |
| Head mtg. screw tightening torque | 0.7-1.1N·m | | | | | |
| Operating temperature | 0 to 45 °C/32 to 113°C | | | | | |
| Storage temperature | -10 to 50 °C/-14 to 122 °F | | | | | |