

Concave Grating Rowland Circle Mounting

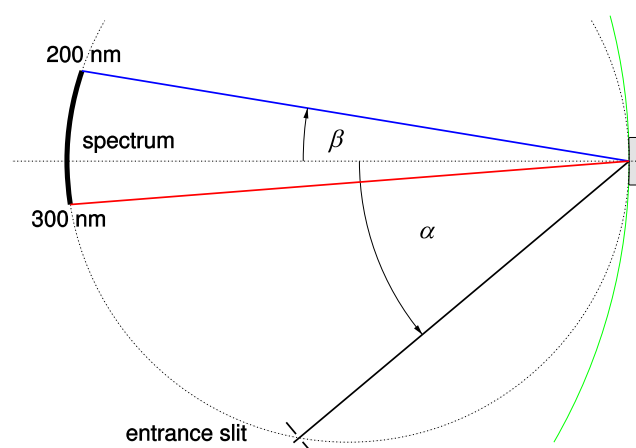


Order number 792032-0000-000

Grating specification

Groove density	2400 ± 4 l/mm
Groove profile	Sinusoidal
Diffraction grating area	≥ Ø 58 mm
Reflective coating	Aluminum (unprotected)
Grating master type	Holographically recorded
Grating type	Epoxy replica (copy)
Storage and transport temperature	-40 °C ... +70 °C (non-condensing environment)
Relative humidity	≤ 93% (non-condensing environment)

Mounting specification (Schematic drawing)



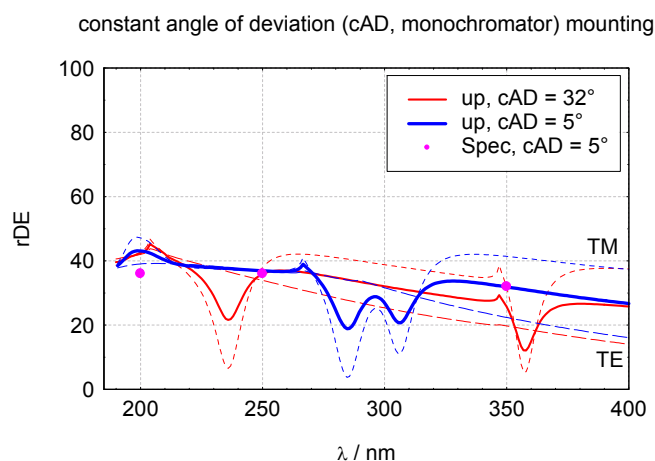
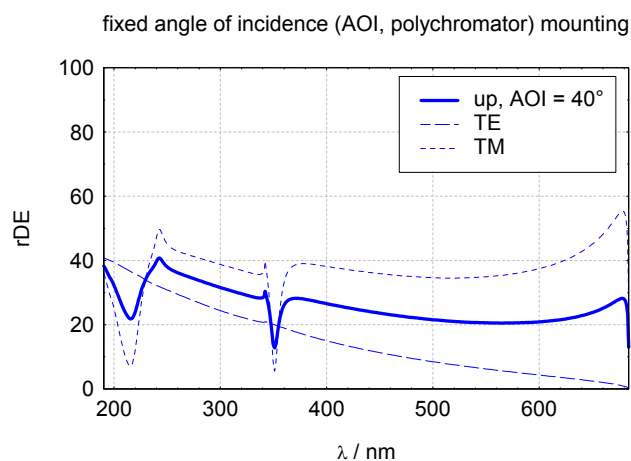
By historic convention clockwise incident and diffraction angles are positive.

Optical grating characteristics

Diffraction efficiency (unpolarized @ cAD = 5°)

200 nm	≥ 36 %
250 nm	≥ 36 %
350 nm	≥ 32 %

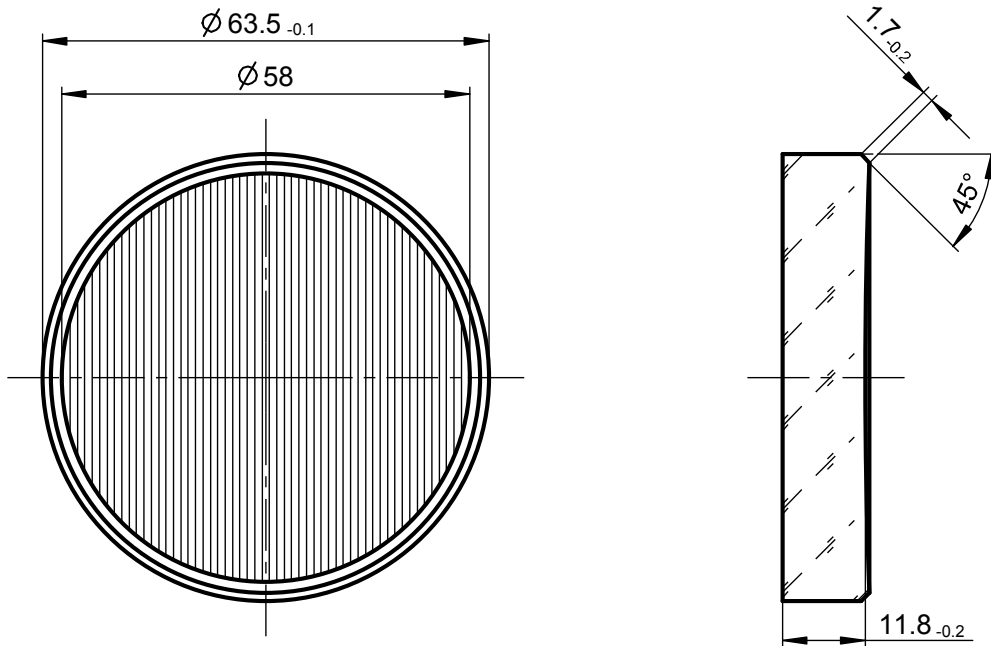
Typical relative diffraction efficiency (rDE) in first diffraction order



Typical efficiency curves based on rigorous electromagnetic modeling using measured AFM profiles. rDE refers to the ratio between diffracted power from the grating and reflected power from a mirror coated with the same material.

Blank specification

Material	Zerodur (extremely low expansion glass ceramic)
Radius of curvature	749.89 mm
Protective bevel (left surface)	0.5 mm



zeiss_ds_grating_rc_792032-0000-000.docx | V1 | 2018-06
Specifications are subject to change without notice.

**Carl Zeiss
Spectroscopy GmbH**
07740 Jena
Germany

Phone: + 49 (0) 3641 64-2838
Fax: + 49 (0) 3641 64-2485
E-mail: info.spectroscopy@zeiss.com
Internet: www.zeiss.com/spectroscopy

