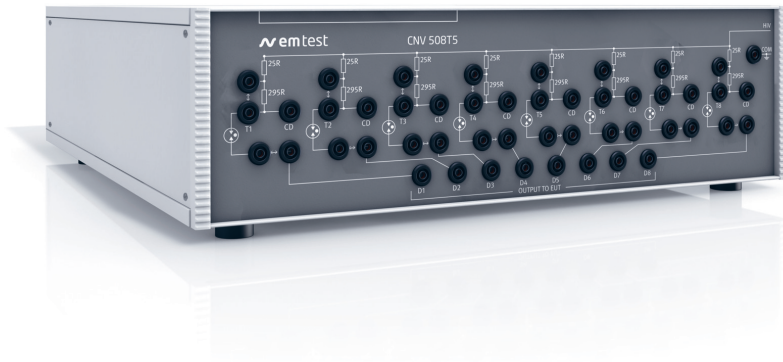


CNV 504 / 508 T 系列 - 耦合/去耦网络

非屏蔽对称互连线（通信线）耦合 / 去耦网络



符合下列标准 ...

- > EN 61000-4-5
- > IEC 61000-4-5
- > ITU-T K.44

CNV 504N/508N - 信号线/数据线耦合/去耦网络

将浪涌脉冲和振铃波脉冲施加到非屏蔽非对称的互联线路（信号线/数据线），需要通过独立耦合/去耦网络来完成。EM TEST 的 CNV 系列 4 线或 8 线信号线/数据线耦合网络专为这一应用设计。按照 EN/IEC 61000-4-5 及 EN/IEC 61000-4-12 标准要求，根据线上信号的特性，可由电容、空气放电管或二极管等不同方式实现脉冲的耦合。

特点

- > 符合 EN/IEC 61000-4-5 标准 Figure 14 的耦合/去耦网络
- > 耦合方式为气体放电管加电阻器耦合
- > 去耦电感为 20mH，电流补偿对
- > 测试电压分别可达 4kV、7kV 和 10kV
- > 线电压 50V
- > 线电流 1A
- > Line voltage 50V
- > Line current 1A

应用领域

-  工业
-  医疗
-  家电
-  通讯

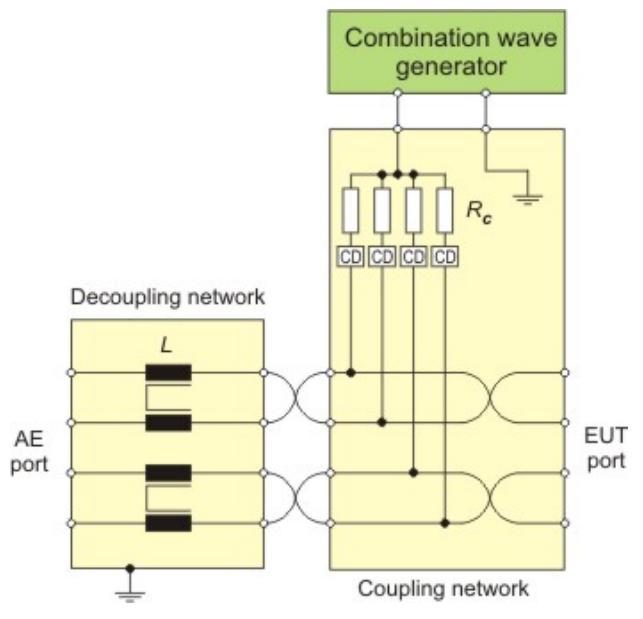
技术细节

优点

CNV 504N/508N 系列 - 多功能耦合/去耦网络
 EM TEST CNV 504N/508N 系列耦合/去耦网络是适用于信号线/数据线浪涌和振铃波测试的多功能耦合网络。标准的 CNV 504N/508N 型号可进行三种不同的应用：即按照相关标准的要求，通过电容或气体放电管方式耦合浪涌脉冲，或通过电容耦合方式耦合振铃波脉冲。耦合方式的选择通过跳线即可完成。

CNV 504N/508N 系列耦合/去耦网络的去耦部分由每线 20mH 的去耦电感组成。为保护 DUT 测试所需的辅助设备，在信号线/数据线输入端还包含一个额外的保护电路。

EM TEST CNV 504N/508N 系列耦合/去耦网络能满足最高可达 10kV 的各种测试电压，并可定制满足更高信号电压/电流（最高可达 600V 或 4A）的耦合/去耦网络。此外，EM TEST 还提供各种专用耦合网络，能够满足像 EN 50155 标准这样的铁路测试应用或其他用户要求的测试应用。



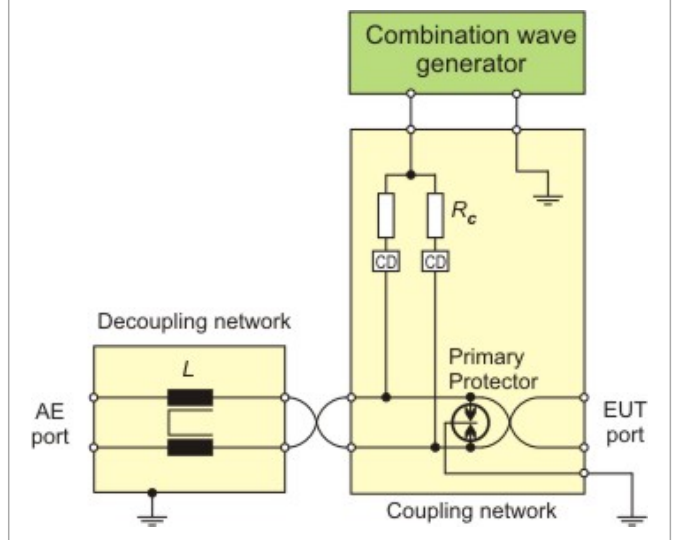
优点

CNV 504 / 508 T-SERIES - TELECOM SURGE COUPLING/DECOUPLING NETWORKS FOR COMMUNICATION LINES

The CNV 504 / 508 T-series is also designed as per figure A4 of IEC 61000-4-5 Ed.3 without primary protector. If required, an additional primary protector must be integrated according the user specifications.

With short circuit bridges and individual designed coupling devices the user can easy modify the coupling mode and number of tested lines to the requirements.

EM TEST offers CNV 504 / 508 T-series coupling/decoupling networks for test voltages up to 5kV.



技术细节

CNV 504T5 FOR 4 UNSHIELDED SYMMETRICAL COMMUNICATION LINES

CNV 504T5 FOR 4 UNSHIELDED SYMMETRICAL COMMUNICATION LINES

COMMON DATA CNV 504T5

CDN	for 4 lines (2 pairs) as per IEC 61000-4-5 Ed.3, - Surge pulses (Fig. 10), - Telecom Surge (Fig. A4)
Max. voltage	5 kV impulse
Line voltage	max. 50 V
Line current	max. 1 A
Coupling	Selectable - GDT, gas arrestor - Individual CD
Matching resistors Rc	Surge Pulse 1.2/50 μ s, 4 x 160 ohm (2 pairs), 2 x 80 ohm (1 pair)
Matching resistors Rc	Telecom surge 10/700 μ s, 4 x 25 ohm
Decoupling	20 mH decoupling inductor, \pm 10 % tolerance, pairwise current compensated
Residual voltage	at the AE port, 5 kV impulse 88 V (1.2/50 μ s), 80 V (10/700 μ s)
Signal Bandwidth	100 kHz with 600 ohm load

GENERAL DATA CNV 504T5

Connectors	4 mm safety lab sockets
Dimensions	447 mm x 400 mm x 143 mm
Weight	11.20 kg

ACCESSORIES

HVS - Banana - Banana	HV cable 1.0 m 1 x red (HV) 1 x black (COM)
Earth cable	Art. 10945 1 x 0.6 m yellow-green 2 x M4 screws with toothed washer
Short circuit bridges	8 bridges, 4 x (25/160) ohm resistors, 4 x coupling
Safety lab cables	Art:105886 8 x 0.25 m Safety lab cables

技术细节

CNV 508T5 FOR 8 UNSHIELDED SYMMETRICAL COMMUNICATION LINES

COMMON DATA CNV 508T5

CDN	for 8 lines (4 pairs) as per IEC 61000-4-5 Ed.3, - Surge pulses (Fig. 10), - Telecom Surge (Fig. A4)
Max. voltage	5 kV impulse
Line voltage	max. 50 V
Line current	max. 1 A
Coupling	Selectable - GDT, gas arrester - Individual CD
Matching resistors Rc	Surge Pulse 1.2/50 μ s, 8 x 320 ohm (4 pairs), 4 x 160 ohm (2 pairs), 2 x 80 ohm (1 pair)
Matching resistors Rc	Telecom surge 10/700 μ s, 8 x 25 ohm
Decoupling	20 mH decoupling inductor, \pm 10 % tolerance pairwise current compensated
Residual voltage	at the AE port, 5 kV impulse 85 V (1.2/50 μ s), 60 V (10/700 μ s)
Signal Bandwith	100 kHz with 600 ohm load

GENERAL DATA CNV 508T5

Connectors	4 mm safety lab sockets
Dimensions	447 mm x 400 mm x 143 mm
Weight	16.65 kg

CNV 508T5 FOR 8 UNSHIELDED SYMMETRICAL COMMUNICATION LINES

ACCESSORIES

HVS - Banana - Banana	HV cable 1.0 m 1 x red (HV) 1 x black (COM)
Earth cable	Art. 10945 1 x 0.6 m yellow-green 2 x M4 screws with toothed washer
SCC Short circuit bridges	16 bridges, 8 x (25/320) ohm resistors, 8 x coupling
Safety lab cables	Art:105886 18 x 0.25m Safety lab cables
Manual	English and German manual on CD

OPTIONS

COUPLING DEVICES

ABD Plug 140 V	Avalanche Breaking Diode Coupling diode for Surge 1,2/50 μ s and Telecom Surge 10/700 μ s Max. Impulse voltage 7 kV
----------------	---

GENERAL DATA

ENVIRONMENT

Temperature	5 - 40 °C
Rel. humidity	10 - 90 %, non-condensing
Atmospheric pressure	86 kPa (860 mbar) to 106 kPa (1,060 mbar)

实力无处不在



直接联系 EM TEST

瑞士

AMETEK CTS GmbH > Sternenhofstra e 15 > 4153 Reinach > Switzerland
电话 +41 (0)61 204 41 11 > 传真 +41 (0)61 204 41 00
Internet: www.ametek-cts.com > 电子邮件: sales.conducted.cts@ametek.com

德国

AMETEK CTS Europe GmbH > Customer Care Center EMEA > Lünener Stra e 211
> 59174 Kamen > Germany
电话 +49 (0) 2307 26070-0 > 传真 +49 (0) 2307 17050
Internet: www.ametek-cts.com > 电子邮件: info.cts.de@ametek.com

波兰

AMETEK CTS Europe GmbH > Biuro w Polsce > ul. Twarda 44 > 00-831 Warsaw > Poland
电话 +48 (0) 518 643 12
Internet: www.ametek-cts.com > 电子邮件: Infopolska.cts@ametek.com

美国 / 加拿大

AMETEK CTS US > 52 Mayfield Ave > Edison > NJ 08837 > USA
电话 +1 732 417 0501
Internet: www.ametek-cts.com > 电子邮件: usasales.cts@ametek.com

中国

E & S Test Technology Limited > Rm 913, Leftbank >
No. 68 Bei Si Huan Xi Lu > Haidian District > Beijing 100080 > P.R. China
电话 +86 (0)10 82 67 60 27 > 传真 +86 (0)10 82 67 62 38
Internet: www.emtest.com > 电子邮件: info@emtest.com.cn

Р е с п у б л и к а К о р е я

EM TEST Korea Limited > #405 > WooYeon Plaza > #986-8 > YoungDeok-dong >
Giheung-gu > Yongin-si > Gyeonggi-do > Korea
电话 +82 (31) 216 8616 > 传真 +82 (31) 216 8616
Internet: www.emtest.co.kr > 电子邮件: sales@emtest.co.kr

新加坡

AMETEK Singapore Pte. Ltd > No. 43 Changi South Avenue 2 > 04-01 Singapore
48164
Internet: www.ametek-cts.com > 电子邮件: singapore.sales.cts@ametek.com

大不列颠

AMETEK GB > 5 Ashville Way > Molly Millars Lane > Wokingham > Berkshire RG41
2 PL > Great Britain
电话 +44 845 074 0660
Internet: www.ametek-cts.com

供货范围、外观设计、技术指标等信息，均于刊印时有效，技术数据如有变化，恕不另行通知。