

IS-A105N Alarm Sounder

The IS-A105N is a high output, 105dB(A) alarm sounder. Approvals include ATEX, IECEx and Ex EAC for Zone 0 applications and FM approval for Class I Division 1 and Class I Zone 0 applications.

The IS-A105N is suitable for all intrinsically safe signalling applications including fire, security and process control.

Features

- Input overload and reverse current protection
- Auto synchronised sound output
- Unit can be mounted using external lugs or internal BESA compatible fixing positions.
- Duplicate cable terminations (in & out for daisy-chain installations).
- Available with custom tone configurations and frequencies.

Approvals

- ATEX certificate: SIRA 04ATEX2301X
- IECEx certificate: IECEx SIR 04.0038X
- FM approved:
- Ex EAC certificate: POCC GB.JB05.B03365

Coding

ATEX / IECEx / FM:

II 1G Ex ia IIC T4 Ga (-40°C ≤ Ta ≤ +60°C)

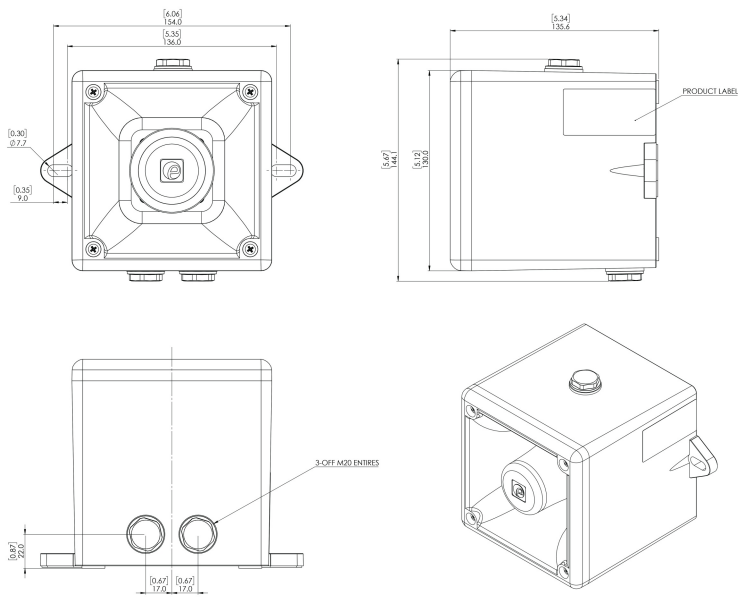
IS Class I, Zone 0, AEx ia IIC T4 Ta = +60°C

IS Class I, Division 1, Groups A, B, C, D T4

Ex EAC:

0ExialICT4 IP66 -40° to +60°C





Specification

Nominal output:	105dB(A) @ 1m +/- 3dB - Tone 2* [96dB(A) @ 10ft/3m]
No. of tones:	49 (UK00A/PFEER compliant)
No. of stages:	3
Volume control:	Max. 105dB(A); Min. 96dB(A) - Tone 2
Effective range:	60m/197ft @ 1KHz
Voltage:	16-28vdc via Zener barrier or galvanic isolator
Current:	25mA typical when powered from 24v supply via 28v 300 Ohm Zener barrier
Ingress protection:	IP66
Rating:	Continuous
Enclosure material:	UL94V0 & 5VA FR ABS
Enclosure colour:	RAL 3000 Red, RAL 7038 Grey
Fixings:	Stainless Steel
Cable entries:	2 x M20 entries - stopping plugs included
Terminals:	0.5 to 2.5mm ²
Operating temp:	-40° to +60°C [-40 to +140°F]
Storage temp:	-40° to +70°C [-40 to +158°F]
Relative humidity:	90% at 20°C [68°F]
MTBF:	227.40 years / 1,992,031 hours - MIL 217
Weight :	0.75kg/1.65lbs

Part Codes

ISA105N-[x]

[x] : Enclosure R: Red RAL3000
 colour: G: Grey RAL7038

May be powered from any certified Zener barrier or galvanic isolator whose output parameters do not exceed:
 Uo : 28VDC Io : 93mA Po : 660mW

Tone table

S 1	Description	S 2	S 3	S 1	Description	S 2	S 3
T 1	340 Hz Continuous	T 2	T 5	T 33	745Hz @ 1Hz Intermittent	T 2	T 5
T 2	800/1000Hz @ 0.25 sec Alternating	T 17	T 5	T 34	1000 & 2000Hz @ 0.5 sec Alternating - Singapore	T 38	T 45
T 3	500/1200Hz @ 0.3Hz 0.5 sec Slow Whoop	T 2	T 5	T 35	420Hz @ 0.625 sec Australian Alert	T 36	T 5
T 4	800/1000Hz @ 1Hz Sweeping	T 6	T 5	T 36	500-1200Hz 3.75sec /0.25sec. Australian Evac.	T 35	T 5
T 5	2400Hz Continuous	T 3	T 20	T 37	1000Hz Continuous - PFEER Toxic Gas	T 9	T 45
T 6	2400/2900Hz @ 7Hz Sweeping	T 7	T 5	T 38	2000Hz Continuous	T 34	T 45
T 7	2400/2900Hz @ 1Hz Sweeping	T 10	T 5	T 39	800Hz 0.25sec on, 1 sec off Intermittent	T 23	T 17
T 8	500/1200/500Hz @ 0.3Hz Sweeping	T 2	T 5	T 40	544Hz (100mS)/440Hz (400mS) - NF S 32-001	T 31	T 27
T 9	1200/500Hz @ 1Hz - DIN / PFEER P.T.A.P.	T 15	T 2	T 41	Motor Siren - slow rise to 1200 Hz	T 2	T 5
T 10	2400/2900Hz @ 2Hz Alternating	T 7	T 5	T 42	Motor Siren - slow rise to 800 Hz	T 2	T 5
T 11	1000Hz @ 1Hz Intermittent	T 2	T 5	T 43	1200 Hz Continuous	T 2	T 5
T 12	800/1000Hz @ 0.875Hz Alternating	T 4	T 5	T 44	Motor Siren - slow rise to 2400 Hz	T 2	T 5
T 13	2400Hz @ 1Hz Intermittent	T 15	T 5	T 45	1KHz 1s on, 1s off Intermittent - PFEER Gen. ...	T 38	T 34
T 14	800Hz 0.25sec on, 1 sec off Intermittent	T 4	T 5	T 46	1200/500Hz @ 1Hz - DIN / PFEER P.T.A.P.	T 47	T 37
T 15	800Hz Continuous	T 2	T 5	T 47	1KHz 1s on, 1s off Intermittent - PFEER Gen. ...	T 46	T 37
T 16	660Hz 150mS on, 150mS off Intermittent	T 18	T 5	T 48	420Hz @ 0.625 sec Australian Alert	T 49	T 5
T 17	544Hz (100mS)/440Hz (400mS) - NF S 32-001	T 2	T 27	T 49	500-1200Hz 3.75sec /0.25sec. Australian Evac.	T 26	T 37
T 18	660Hz 1.8sec on, 1.8sec off Intermittent	T 2	T 5				
T 19	1.4KHz-1.6KHz 1s, 1.6KHz-1.4KHz 0.5s -NFC48-265	T 2	T 5				
T 20	660Hz Continuous	T 2	T 5				
T 21	554Hz/440Hz @ 1Hz Alternating	T 2	T 5				
T 22	544Hz @ 0.875 sec. Intermittent	T 2	T 5				
T 23	800Hz @ 2Hz Intermittent	T 6	T 5				
T 24	800/1000Hz @ 50Hz Sweeping	T 29	T 5				
T 25	2400/2900Hz @ 50Hz Sweeping	T 29	T 5				
T 26	Bell	T 2	T 15				
T 27	554Hz Continuous	T 26	T 5				
T 28	440Hz Continuous	T 2	T 5				
T 29	800/1000Hz @ 7Hz Sweeping	T 7	T 5				
T 30	300Hz Continuous	T 2	T 5				
T 31	660/1200Hz @ 1Hz Sweeping	T 26	T 5				
T 32	Two T chime.	T 26	T 15				

E2S Warning Signals

No liability is accepted for any consequence of the use of this document. The technical specification of this unit is subject to change without notice due to our policy of continual product development. All dimensions are approximate. This unit is sold subject to our standard conditions of sale, a copy of which is available on request.

19 Apr 2022