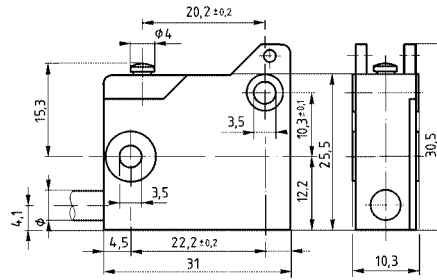


SERIES MP320 & DERIVATIVES


MP320

SEALED MINIATURE MICROSWITCH IP67

The MP320 miniature microswitch is a snap-action changeover simple break with the connection cable directly over-moulded into the housing.




GENERAL CHARACTERISTICS, TYPE MP320

Approvals	: 
depending on the version	: CSA
Degree of protection	: IP67
Class of protection	: II
Micro-switch	: μ
Contact-gap	: 0.8 mm
Standards	: EN61058-1:92 + A1:93
Frequent functioning	: 50 E3
Mechanical life	: 50 x 10 ⁶ operations
Snap-action mechanism	: Beryllium coppers leaf spring with self-cleaning contact.
Actuators	: Overall dimensions in stainless steel.
Dimensions	: DIN 41 635, form A

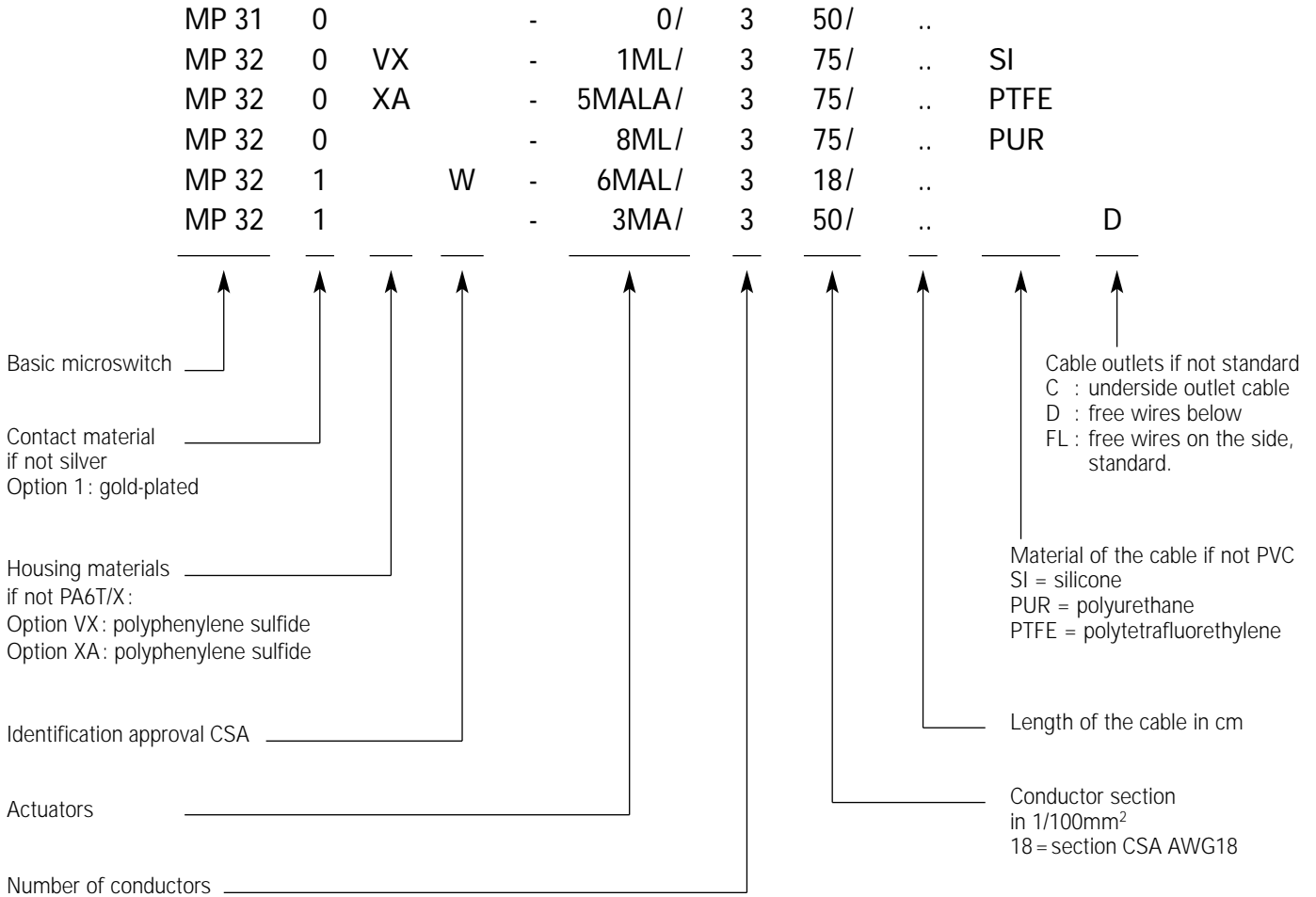
SWITCHING CAPACITY

Depending on the material of the electrical contacts and the cross-section of conductors.

Approvals			CSA
Cross-section of conductors	0.75 mm ²	0.50 mm ²	AWG 18
Ag contacts	6A 250VAC	2A 250VAC	6A 250VAC
Gold-plated contacts	0,1A 24VAC/DC		

REFERENCE CODE OF THE ARTICLE

SERIES MP320 & DERIVATIVES



Housing:	PA6T/X reinforced with glass fibre	- 40°C to + 130°C
	Auto-extinguishing according to UL94V-O	- 40°C to + 130°C
	VX PPS reinforced with glass fibre	- 40°C to + 150°C
	Auto-extinguishing according to UL94V-O	- 40°C to + 150°C
Membrane:	XA PPS reinforced with glass fibre	- 40°C to + 200°C
	Auto-extinguishing according to UL94V-O	- 40°C to + 200°C
	Certified temperature	
Cable:	Fluorsilicone rubber MFQ	- 40°C to + 175°C
	Variant XA (Membrane SI)	- 40°C to + 200°C
	PVC	- 20°C to + 70°C
	SI Silicone rubber	- 40°C to + 150°C
Free wires:	PUR polyurethane rubber	- 40°C to + 90°C
	PTFE polytetrafluorethylene	- 40°C to + 200°C
	PVC-CSA TR64 AWG18	- 40°C to + 105°C
	RXL155, outlets D or FL (without identification)	- 55°C to + 155°C

CONNECTION

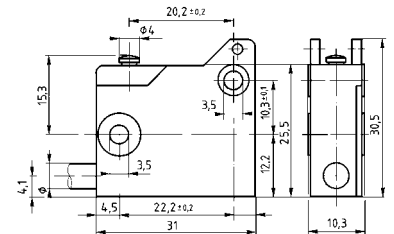
By cables or supple wires

Cable with standard outlet



Examples :

- MP320-0/375/100SI
- MP320-0/375/200
- MP320-5MAL/375/100PUR
- MP321-6MAL/375/80
- MP320VX-5MALA/375/500SI
- MP320XA-1ML/375/100PTFE

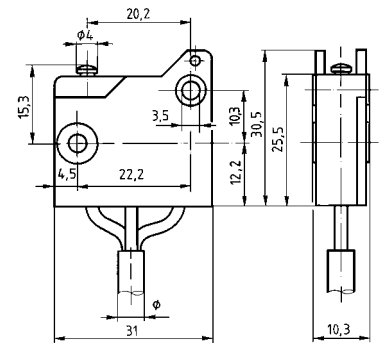


Underside cable outlet «C»



Examples :

- MP320-1MS27/375/50PURC
- MP320-3MB/375/200C

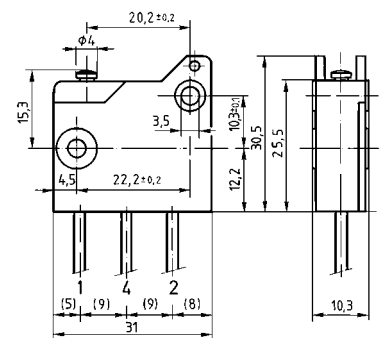


**Independent wire connection,
underside outlet «D»
Independent wire connection,
approval CSA**



Examples :

- MP320-0/375/50D
- MP320-1MPSI/375/100D
- MP320W-5MAL/318/50D



WIRING DIAGRAM

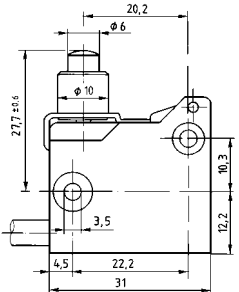
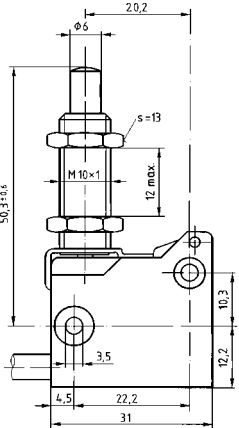
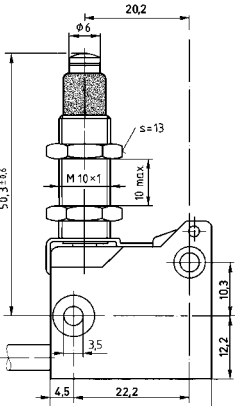
In relation with the type of the cable, the independent wires and the actuators

Isolating materials	PVC & RXL155	PTFE	Polyurethane	Silicone	CSA-PVC
Code in the reference of the article		PTFE	PUR	SI	../318/..
Without actuator «0» or type 1M..., 7M..., 8M...					
Reverse levers, types 3M..., 5M..., 6M...					

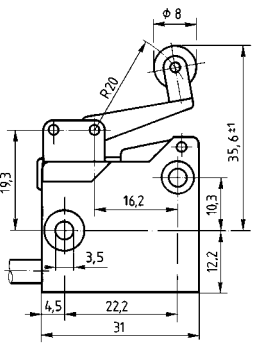
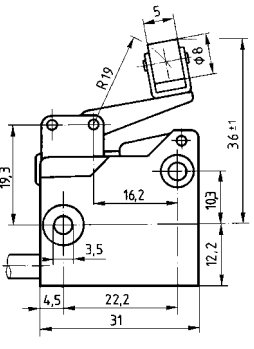
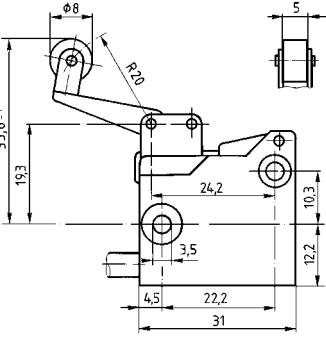
According to the availability of the market we reserve ourselves the right to modify the colors of identification of wire connection.

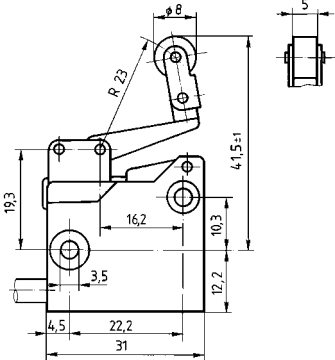
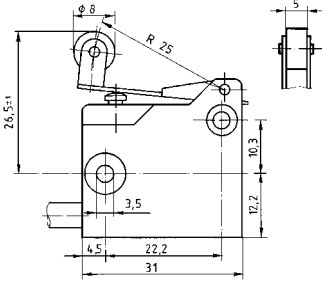
ACTUATING FORCE Fa max. (N)	RELEASE FORCE Fr min (N)	FREE POSITION Pr (mm)	OPERATING POSITION Pa (mm)	OVER-TRAVEL sr min. (mm)	DIFFERENTIAL MOVEMENT sd max. (mm)	DESIGNATION
3,5	1,0	15,3 ± 0,3	14,7 ± 0,2	0,2	0,07	MP310-0/..
3,5	1,0	15,3 ± 0,3	14,7 ± 0,2	0,2	0,07	MP320-0/..

* **1MPN**: Chloroprene protective sleeve
 ** **1MPSI**: Silicone protective sleeve

DESIGNATION	ACTUATING FORCE Fa max. (N)	RELEASE FORCE Fr min (N)	FREE POSITION Pr (mm)	OPERATING POSITION Pa (mm)	OVER-TRAVEL sr min. (mm)	DIFFERENTIAL MOVEMENT sd max. (mm)
 <p>MP320-1MS27/..</p>	3,5	1,0	27,7 ± 0,6	27,2 ± 0,3	2,0	0,10
 <p>MP320-1M/..</p>	3,5	1,0	50,3 ± 0,6	49,7 ± 0,3	5,0	0,10
 <p>* MP320-1MPN/.. ** MP320-1MPSI/..</p>	4,0	1,0	50,3 ± 0,6	49,7 ± 0,3	3,0	0,10

ACTUATING FORCE Fa max. (N)	RELEASE FORCE Fr min (N)	FREE POSITION Pr (mm)	OPERATING POSITION Pa (mm)	OVER-TRAVEL sr min. (mm)	DIFFERENTIAL MOVEMENT sd max. (mm)	DESIGNATION
3,5	1,0	49,8 ± 0,6	49,3 ± 0,3	5,0	0,10	MP320-1ML/..
3,5	1,0	49,8 ± 0,6	49,3 ± 0,3	5,0	0,10	MP320-1MT/..
2,5	1,0	26,0 ± 1,0	24,2 ± 0,6	2,5	0,80	MP320-3MA/..
2,5	1,0	26,0 ± 1,0	24,2 ± 0,6	2,5	0,80	MP320-3MB/..

DESIGNATION	ACTUATING FORCE Fa max. (N)	RELEASE FORCE Fr min (N)	FREE POSITION Pr (mm)	OPERATING POSITION Pa (mm)	OVER-TRAVEL sr min. (mm)	DIFFERENTIAL MOVEMENT sd max. (mm)
 <p>MP320-5MAL/..</p>	3,0	1,0	35,6 ± 1,0	34,0 ± 0,6	2,5	0,80
 <p>MP320-5MAT/..</p>	3,0	1,0	36,0 ± 1,0	34,4 ± 0,6	2,5	0,80
 <p>MP320-5MBL/..</p>	3,0	1,0	35,6 ± 1,0	34,0 ± 0,6	2,5	0,80

ACTUATING FORCE Fa max. (N)	RELEASE FORCE Fr min (N)	FREE POSITION Pr (mm)	OPERATING POSITION Pa (mm)	OVER-TRAVEL sr min. (mm)	DIFFERENTIAL MOVEMENT sd max. (mm)	DESIGNATION
3,0	1,0	41,5 ± 1,0	39,8 ± 0,6	2,5	0,80	MP320-6MAL/.. 
3,5	1,0	26,5 ± 1,0	25,7 ± 0,3	0,2	0,10	MP320-8ML25/.. 
1,3	0,3	28,5 ± 1,0	26,2 ± 0,8	0,5	0,80	MP320-8ML/.. 