



RPT 200, DN 16 ISO-KF; RS-485

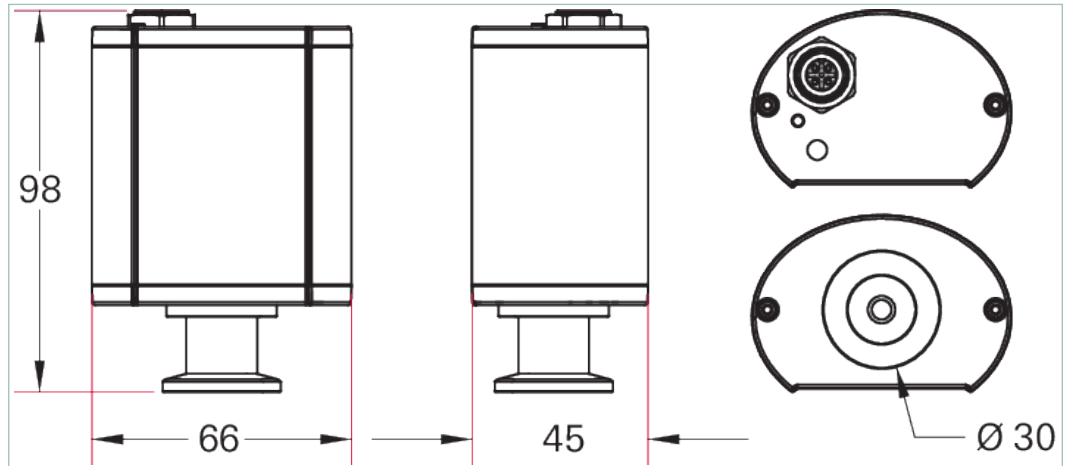


Similar Image

RPT 200, DN 16 ISO-KF; RS-485

- $1 \cdot 10^{-4}$ – 1200 hPa
- Combination of two sensors
- High accuracy up to atmospheric pressure

Dimensions



Technical Data	RPT 200, DN 16 ISO-KF; RS-485
Ambient temperature	5-60 °C 41-140 °F 278-333 K
Bakeout temperature at the flange	125 °C 257 °F 398 K
Filament	Tungsten
Full scale	1,200 hPa 900 Torr 1,200 mbar
I/O interfaces	RS-485
Materials in contact with media	Stainless steel, Tungsten, gold, silicon oxide, glass
Measurement cable length	100 m
Measuring cycle	10 ms
Measuring method	Piezo/Pirani
Measuring range	$1 \cdot 10^{-4}$ – $1.2 \cdot 10^3$ hPa
Nominal diameter	DN 16 ISO-KF
Precision: $2 \cdot 10^{-3}$ – 10 hPa	± 10 %
Precision (Full Scale): 10 – 1200 hPa	± 0.3 %
Pressure max.	4,000 hPa 3,000 Torr 4,000 mbar
Protection degree	IP54
Repeatability: $1 \cdot 10^{-3}$ – 1 hPa	± 1 %
Repeatability (Full Scale): 10 – 1200 hPa	± 0.1 %
Seal	Metal
Supply: consumption max.	2.5 W
Supply: power consumption	2.5 W
Supply: Voltage V DC	24 V DC
Temperature: Storage	-40-65 °C -40-149 °F 233-338 K
Weight	195 g

Order number	
RPT 200	PT R37 130

Accessories	
Adapters (electrical) Adapter Cables	
Connection cable, RS-485, M12/D-sub 9-pole, 3 m	PT 348 223 -T
Adapters (electrical) Adapter Measurement	
Adapter RS-485, M12, 4-pole - D-sub bushing, 9-pole, 0.2 m	PT 348 133 -T
Adapters (electrical) RS-232/485	
Y-connector M12 for RS-485	P 4723 010
USB RS-485 converter	PM 061 207 -T
Coupling M12 for RS-485	PM 061 270 -X
Terminal resistor for RS-485	PT 348 105 -T
Plug M12 m 4-pin with screw clamps for DigiLine RS-485, for customer-specific cables	PT 348 106 -T
Power separator for RS-485	PT 348 132 -T
Cables Connection cables	
Mains power supply DigiLine, M12, 4-pin to TPS, 3 m	PT 348 163 -T
Cables RS-485 Interface cables	
Interface cable, M12 m straight/M12 m straight, 3 m	PM 061 283 -T
Control Devices Gauge controllers	
DPG 202, controller and display unit for up to 2 gauges	PT G12 020
Control Devices Power supplies and control displays	
TPS 110, power supply pack for wall/standard rail installation	PM 061 340 -T
TPS 111, power supply pack 19" plug-in unit 3HU	PM 061 344 -T
Protection Inlet filters	
Centering ring with sintered metal filter, pore size 20 µm, FKM/stainless steel, DN 16 ISO-KF	PF 117 216 -T
Centering ring with fine filter, pore size 4 µm, FKM/stainless steel, DN 16 ISO-KF	PT 120 132 -T
Software Display & Data logging	
DokuStar Plus software, 16 channels	PT 882 501

VACUUM SOLUTIONS FROM A SINGLE SOURCE

Pfeiffer Vacuum stands for innovative and custom vacuum solutions worldwide, technological perfection, competent advice and reliable service.

COMPLETE RANGE OF PRODUCTS

From a single component to complex systems:

We are the only supplier of vacuum technology that provides a complete product portfolio.

COMPETENCE IN THEORY AND PRACTICE

Benefit from our know-how and our portfolio of training opportunities!

We support you with your plant layout and provide first-class on-site service worldwide.

Are you looking for a
perfect vacuum solution?
Please contact us:

Pfeiffer Vacuum GmbH
Headquarters · Germany
T +49 6441 802-0
info@pfeiffer-vacuum.de

www.pfeiffer-vacuum.com

All data subject to change without prior notice.

PFEIFFER  **VACUUM**