

## Pressure Gauge (with Electric Contact)

Model No. SS-3025~8 Series

KINS

## Ordering Information

SS-3025 x 100mm x 0 ~ 10MPa x 2P x LH x PF3/8

## Connection :

- PF1/4
- NPT&PT1/4
- PF3/8
- NPT&PT3/8
- PF1/2
- NPT&PT1/2

## Contacts Type :

- L : Low Contact (SPST\*1)
- H : High Contact(SPST\*1)
- L,H : Low & High Contact(SPST \*2)
- L,L : Low & Low Contact(SPST\*2)
- H,H : High & High Contact(SPST\*2)

## Number of Contacts :

- 1P : SPST \*1
- 2P : SPST \*2

## Range :

- 100mm : -0,1 ~ 2 MPa, -0,1 ~ 0MPa, 0 ~ 100MPa
- 150mm : -0,1 ~ 2 MPa, -0,1 ~ 0MPa, 0 ~ 100MPa

## Nominal Diameter &amp; Accuracy :

- 100mm (Accuracy:  $\pm 1,0\%$  of Full Scale)
- 150mm (Accuracy:  $\pm 1,0\%$  of Full Scale)

## Base Model &amp; Mounting Type :

- SS-3025(A:Rimless type) : Bottom Connection, Direct
- SS-3026(B:Surface type) : Bottom Connection, Surface
- SS-3027(D:Flush mounting type) : Lower Back Connection, Direct
- SS-3028(BD:Panel attachment type) : Lower Back Connection, Flush

Pressure Gauge

Differential Pressure Gauge &amp; Switch

Accessories of Pressure Gauge

Thermometer &amp; Thermometer Switch

Thermocouple &amp; R.T.D

Thermowell

Transmitter

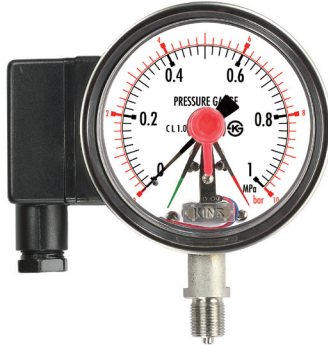
Indicator etc.

Technical data

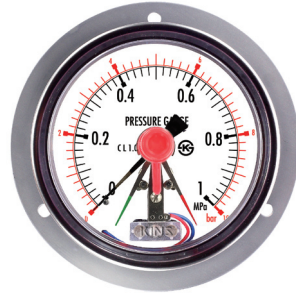
## Pressure Gauge (with Electric Contact)

Model No. SS-3025~8 Series

KINS



SS-3025



SS-3028

## Summary

This gauge has a contact device inside the indicator. Not only indicating of pressure but also it is able to control and report by sending a electric signal in a built-in contact device which was already set up.

## Safety Management

- Be sure to install a protecting device where exist abrupt change of pressure, vibration and pulsation.
- Do not give impact during the transportation, installation and usage.
- Be sure to install pressure gauge to be horizontal and vertical.

## Purpose of Use

- Various pressure controlling, warning system
- Oil pressure press
- Special fluid line for industrial use, etc.

## Production Specification

- ▶ Diameter
  - 100, 150 mm
- ▶ Accuracy
  - $\pm 1.0\%$  of Full Scale
- ▶ Working Pressure
  - Static pressure : 75% of Full Scale
  - Fluctuating pressure : 60% of Full Scale
- ▶ Working Temperature
  - Ambient :  $-20 \sim 65$  °C
  - Fluid :  $-20 \sim 80$  °C

## ▶ Range

100mm	- 0.1 ~ 2 MPa
150mm	- 0.1 ~ 0 MPa 0 ~ 100 MPa

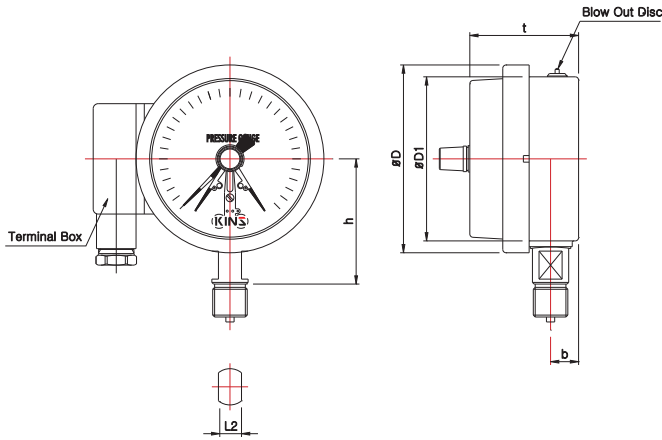
## Product Specification

- |   |  |   |
|---|--|---|
| <ul style="list-style-type: none"> <li>+ Case               <ul style="list-style-type: none"> <li>· STS 304</li> </ul> </li> <li>+ Cover               <ul style="list-style-type: none"> <li>· STS 304</li> <li>· Slip-on-Fit</li> </ul> </li> <li>+ Connection               <ul style="list-style-type: none"> <li>· STS 316</li> <li>· PF, PT, NPT ↔ 1/4, 3/8, 1/2</li> </ul> </li> <li>+ Window               <ul style="list-style-type: none"> <li>· Poly Carbonate</li> </ul> </li> <li>+ Type               <ul style="list-style-type: none"> <li>· A-Type (Rimless type)</li> <li>· B-Type (Surface type)</li> <li>· D-Type (Flush mounting type)</li> <li>· BD-Type (Panel attachment type)</li> </ul> </li> </ul> | <ul style="list-style-type: none"> <li>+ Pointer               <ul style="list-style-type: none"> <li>· Phosphor bronze</li> <li>· Black coating</li> <li>· Contact indicator High ↔ Red</li> <li>· Contact indicator Low ↔ Green</li> </ul> </li> <li>+ Dial               <ul style="list-style-type: none"> <li>· Aluminum</li> <li>· White color coating</li> <li>· Black (MPa), red (bar) gradations and characters</li> </ul> </li> <li>+ Contact rating               <ul style="list-style-type: none"> <li>· AC 125 0.5A / 250V 0.25A</li> <li>· DC 24V 0.25A</li> </ul> </li> <li>+ Movement               <ul style="list-style-type: none"> <li>· STS 304</li> </ul> </li> </ul> | <ul style="list-style-type: none"> <li>+ Element               <ul style="list-style-type: none"> <li>· STS 304, STS 316</li> <li>· C type bourdon tube, helical type bourdon tube</li> </ul> </li> <li>+ Contact Form               <ul style="list-style-type: none"> <li>· SPST * 1, SPST * 2</li> <li>· High, low 2 contact (high or Low, High &amp; High)</li> <li>· High &amp; Low, Low &amp; Low</li> </ul> </li> <li>+ Option               <ul style="list-style-type: none"> <li>· Bracket</li> <li>· Throttles</li> <li>· Accessories</li> </ul> </li> </ul> |
|---|--|---|

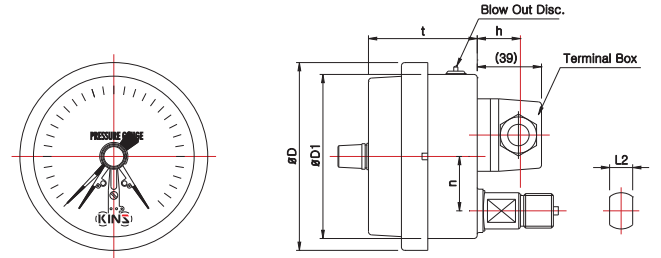
# Pressure Gauge (with Electric Contact)

## Model No. SS-3025~8 Series

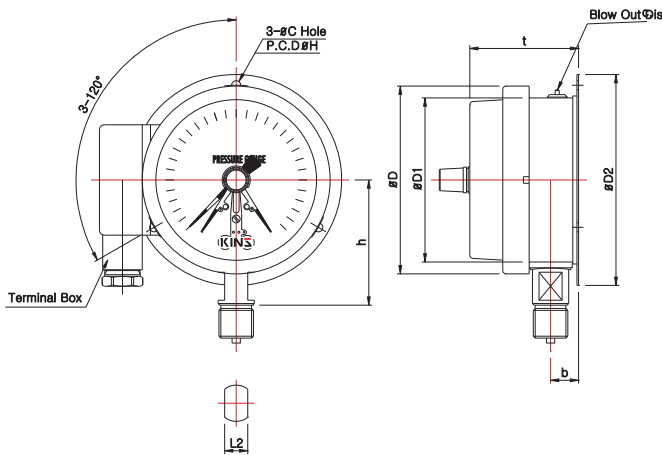
Model No. | SS-3025  
A Type (100, 150mm)



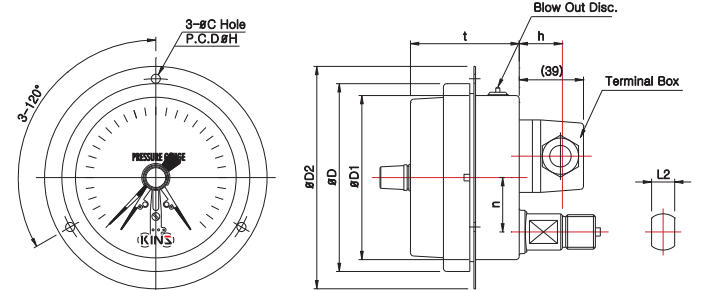
Model No. | SS-3027  
D Type (100, 150mm)



Model No. | SS-3026  
B Type (100, 150mm)



Model No. | SS-3028  
BD Type (100, 150mm)



Pressure Gauge

Differential Pressure Gauge & Switch

Accessories of Pressure Gauge

Thermometer & Thermometer Switch

Thermocouple & R.T.D

Thermowell

Transmitter

Indicator etc.

Technical data



## Dimensions (mm)

	Model No.	Conn'n (d)	ØD	ØD1	ØD2	b	n	t	L2	h	ØC	ØH
100mm	SS-3025 & SS-3026	NPT & PT, PF 1/4	114	100	128	17	-	(66)	17	(76)	5.5	115
		NPT & PT, PF 3/8										
		NPT & PT, PF 1/2										
	SS-3027 & SS-3028	NPT & PT, PF 1/4	114	100	128	-	33	(66)	17	(26)	5.5	115
		NPT & PT, PF 3/8										
		NPT & PT, PF 1/2										
150mm	SS-3025 & SS-3026	NPT & PT, PF 1/4	168	152	188	17	-	(66)	22	(100)	5.5	173
		NPT & PT, PF 3/8										
		NPT & PT, PF 1/2										
	SS-3027 & SS-3028	NPT & PT, PF 1/4	168	152	188	-	33	(66)	22	(26)	5.5	173
		NPT & PT, PF 3/8										
		NPT & PT, PF 1/2										

\*( )The measurement in the blanket is approximate.

Pressure Gauge

Differential Pressure Gauge &amp; Switch

Accessories of Pressure Gauge

Thermometer &amp; Thermometer Switch

Thermocouple &amp; R.T.D

Thermowell

Transmitter

Indicator etc.

Technical data