

Model No. SF-3020 Series

KINS



SF-3021 100mm

### Summary

This gauge is very safe even when the pressure increases because the front side is strong and made of blow out back. The appearance is beautiful because the case, cover and the connecting part are made of stainless steel and the pressure gauge has high corrosive resistance and inner chemical capability.

### Safety Management

- Be sure to install a protecting device where exist abrupt change of pressure, vibration and pulsation.
- Do not give impact during the transportation, installation and usage.
- Be sure to install pressure gauge to be horizontal and vertical.

### Purpose of Use

- Power plants (thermal, hydraulic, nuclear)
- Various plants of chemistry, refinery, shipbuilding, etc.
- Food industry

### Production Specification

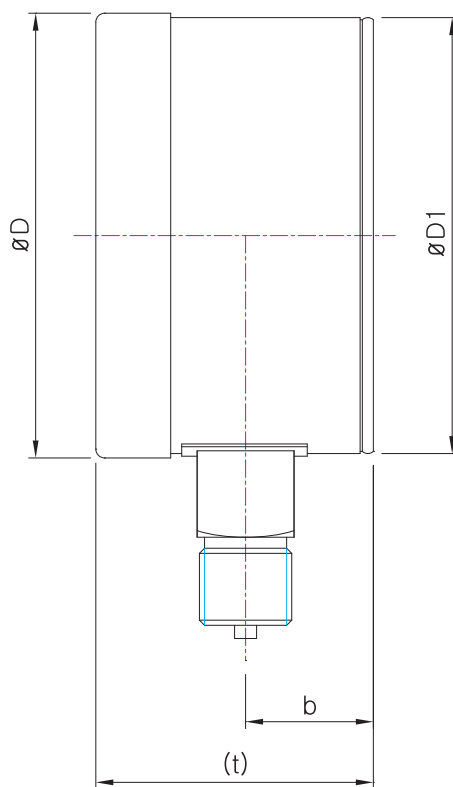
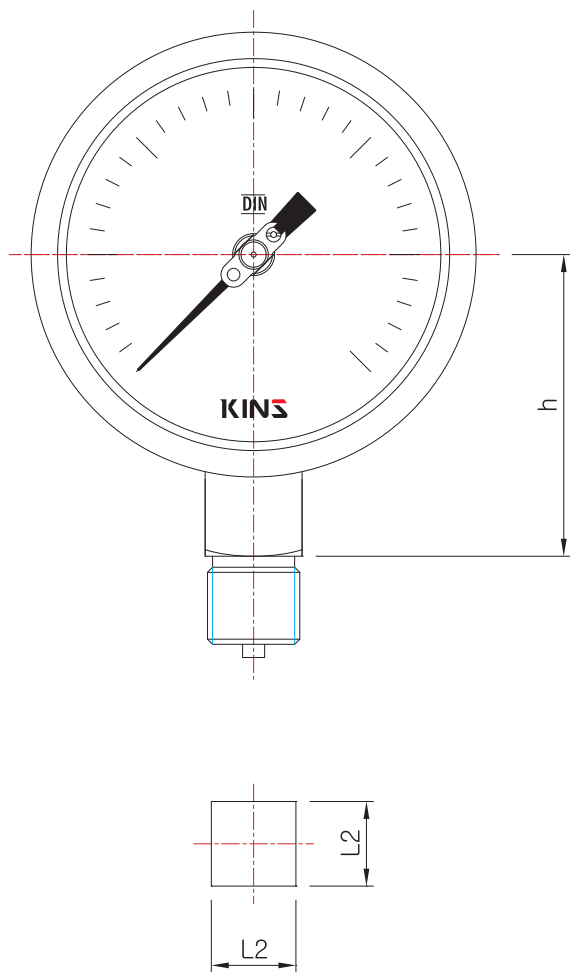
- ▶ Diameter
  - 100 mm
- ▶ Accuracy
  - $\pm 1.0\%$  of Full Scale
- ▶ Scale Range
  - $-1 \sim 0$  to  $0 \sim 200$  MPa
- ▶ Working Pressure
  - Static pressure : 75% of Full Scale
  - Fluctuating pressure : 60% of Full Scale
- ▶ Working Temperature
  - Ambient :  $-20 \sim 65$  °C
  - Fluid :  $-20 \sim 80$  °C

### Product Specification

- |   |  |  |
|---|--|--|
| + Case <ul style="list-style-type: none"> <li>· STS 304</li> </ul>  | + Pointer <ul style="list-style-type: none"> <li>· Aluminum</li> <li>· Black coating</li> </ul>  | + Dial <ul style="list-style-type: none"> <li>· Aluminum</li> <li>· White color coating</li> <li>· Black (MPa), red (bar) gradations and characters</li> </ul> |
| + Window <ul style="list-style-type: none"> <li>· Tempered safety glass,</li> <li>· Laminated safety glass</li> </ul> | + Element <ul style="list-style-type: none"> <li>· STS 304, STS 316</li> <li>· C type bourdon tube, helical type bourdon tube</li> </ul> | + Option <ul style="list-style-type: none"> <li>· Bracket</li> <li>· Throttles</li> <li>· Accessories</li> </ul>   |
| + Cover <ul style="list-style-type: none"> <li>· STS 304</li> <li>· Bayonet Type</li> </ul>                           | + Movement <ul style="list-style-type: none"> <li>· STS 304</li> </ul>   |  |
| + Connection <ul style="list-style-type: none"> <li>· STS 316</li> <li>· PF, PT, NPT ↔ 3/8, 1/2</li> </ul>            | + Type <ul style="list-style-type: none"> <li>· A-Type (Rimless type) [Solid Front Type]</li> </ul>                                      |  |

Model No. SF-3020 Series

## Model No. | SF-3021 (100mm) A Type (Rimless type)



Dimensions (mm)

Model No.	Conn'n (d)	ØD	ØD1	b	n	t	L2	h
SF-3021	NPT & PT, PF 3/8	101	99	29	-	(63)	22	(66.5)
	NPT & PT, PF 1/2							

\*( )The measurement in the blanket is approximate.

Pressure Gauge

Differential Pressure Gauge & Switch

Accessories of Pressure Gauge

Thermometer & Thermometer Switch

Thermocouple & R.T.D

Thermowell

Transmitter

Indicator etc.

Technical data

## Solid Front Safety Pressure Gauge

Model No. SF-3020 Series

KINS



SF-3022 125mm

## Summary

This gauge is very safe even when the pressure increases because the front side is strong and made of blow out back. For corrosive resistance and thermostability, the case and cover are built by 4 1/2 phenolic resin.

## Safety Management

- Be sure to install a protecting device where exist abrupt change of pressure, vibration and pulsation.
- Do not give impact during the transportation, installation and usage.
- Be sure to install pressure gauge to be horizontal and vertical.

## Purpose of Use

- Power plants (thermal, hydraulic, nuclear)
- Various plants of chemistry, refinery, shipbuilding, etc.
- Food industry

## Production Specification

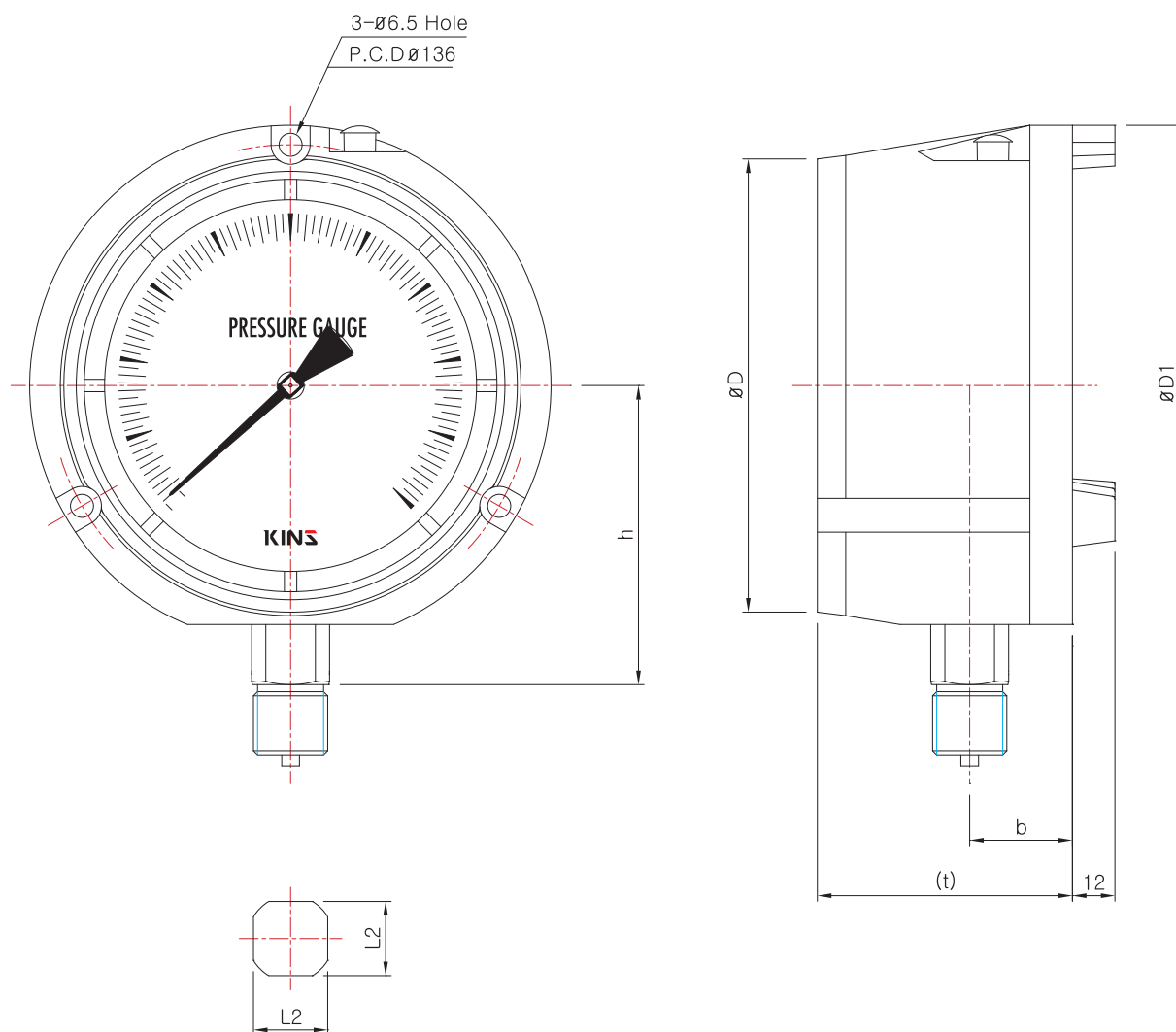
- ▶ Diameter
  - 125 mm
- ▶ Accuracy
  - 0.5% and  $\pm 1.0\%$  of Full Scale
- ▶ Scale Range
  - -1 ~ 0 to 0 ~ 200 MPa
- ▶ Working Pressure
  - Static pressure : 75% of Full Scale
  - Fluctuating pressure : 60% of Full Scale
- ▶ Working Temperature
  - Ambient : -20 ~ 65 °C
  - Fluid : -20 ~ 80 °C

## Product Specification

<ul style="list-style-type: none"> <li>+ Case               <ul style="list-style-type: none"> <li>· Phenolic Resin</li> </ul> </li> <li>+ Cover               <ul style="list-style-type: none"> <li>· Phenolic Resin</li> </ul> </li> <li>+ Connection               <ul style="list-style-type: none"> <li>· STS 316</li> <li>· PF, PT, NPT ↔ 3/8, 1/2</li> </ul> </li> <li>+ Window               <ul style="list-style-type: none"> <li>· Tempered safety glass,</li> <li>· Laminated safety glass</li> </ul> </li> </ul>	<ul style="list-style-type: none"> <li>+ Type               <ul style="list-style-type: none"> <li>· B-Type (Surface type) [Solid Front Type]</li> </ul> </li> <li>+ Pointer               <ul style="list-style-type: none"> <li>· Aluminum</li> <li>· Black coating</li> </ul> </li> <li>+ Dial               <ul style="list-style-type: none"> <li>· Aluminum</li> <li>· White color coating</li> <li>· Black gradation and characters</li> </ul> </li> </ul>	<ul style="list-style-type: none"> <li>+ Element               <ul style="list-style-type: none"> <li>· STS 304, STS 316</li> <li>· C type bourdon tube, helical type bourdon tube</li> </ul> </li> <li>+ Movement               <ul style="list-style-type: none"> <li>· STS 304</li> </ul> </li> <li>+ Option               <ul style="list-style-type: none"> <li>· Bracket</li> <li>· Throttles</li> <li>· Accessories</li> </ul> </li> </ul>
--	---	---

Model No. SF-3020 Series

## Model No. | SF-3022 (125mm) B Type (Surface type)



Dimensions (mm)

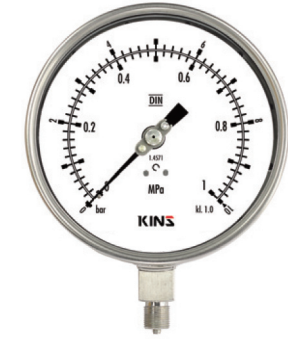
Model No.	Conn'n (d)	ØD	ØD1	b	n	t	L2	h
SF-3022	NPT & PT, PF 3/8	124	147	29	-	(72)	22	(85)
	NPT & PT, PF 1/2							

\*( )The measurement in the blanket is approximate.

## Solid Front Safety Pressure Gauge

Model No. SF-3020 Series

KINS



SF-3021 160mm

## Summary

This gauge is very safe even when the pressure increases because the front side is strong and made of blow out back. The appearance is beautiful because the case, cover and the connecting part are made of stainless steel and the pressure gauge has high corrosive resistance and inner chemical capability.

## Safety Management

- Be sure to install a protecting device where exist abrupt change of pressure, vibration and pulsation.
- Do not give impact during the transportation, installation and usage.
- Be sure to install pressure gauge to be horizontal and vertical.

## Purpose of Use

- Power plants (thermal, hydraulic, nuclear)
- Various plants of chemistry, oil, ship, etc.
- Food industry

## Production Specification

- ▶ Diameter
  - 160 mm
- ▶ Accuracy
  - $\pm 1.0\%$  of Full Scale
- ▶ Scale Range
  - $-1 \sim 0$  to  $0 \sim 200$  MPa
- ▶ Working Pressure
  - Static pressure : 75% of Full Scale
  - Fluctuating pressure : 60% of Full Scale
- ▶ Working Temperature
  - Ambient :  $-20 \sim 65$  °C
  - Fluid :  $-20 \sim 80$  °C

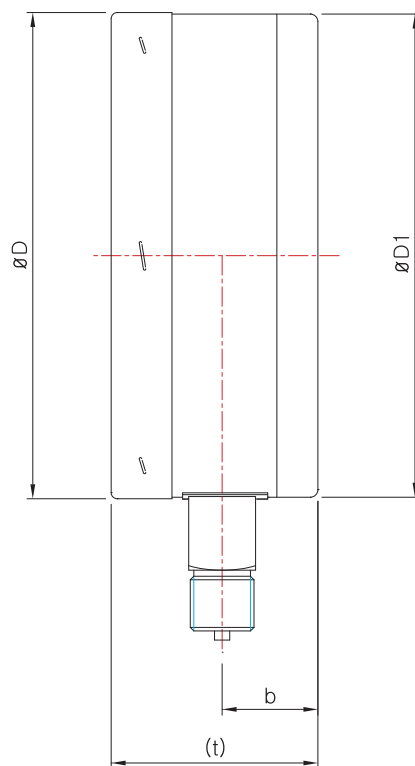
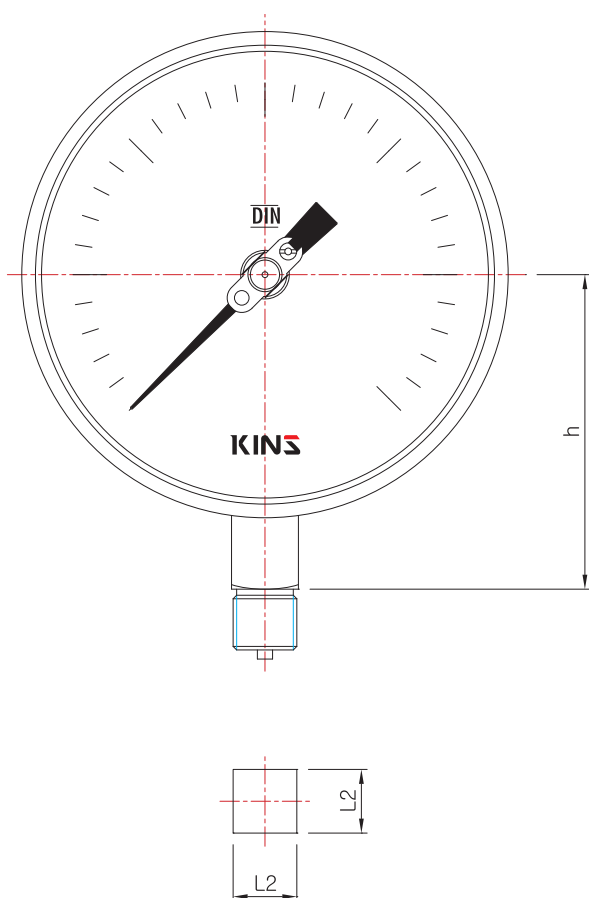
## Product Specification

<ul style="list-style-type: none"> <li>+ Case               <ul style="list-style-type: none"> <li>· STS 304</li> </ul> </li> </ul>	<ul style="list-style-type: none"> <li>+ Pointer               <ul style="list-style-type: none"> <li>· Aluminum</li> <li>· Black coating</li> </ul> </li> </ul>	<ul style="list-style-type: none"> <li>+ Dial               <ul style="list-style-type: none"> <li>· Aluminum</li> <li>· White color coating</li> <li>· Black gradation and characters</li> </ul> </li> </ul>
<ul style="list-style-type: none"> <li>+ Cover               <ul style="list-style-type: none"> <li>· STS 304</li> <li>· Bayonet Type</li> </ul> </li> </ul>	<ul style="list-style-type: none"> <li>+ Element               <ul style="list-style-type: none"> <li>· STS 304, STS 316</li> <li>· C type bourdon tube, helical type bourdon tube</li> </ul> </li> </ul>	<ul style="list-style-type: none"> <li>+ Option               <ul style="list-style-type: none"> <li>· Bracket</li> <li>· Throttles</li> <li>· Accessories</li> </ul> </li> </ul>
<ul style="list-style-type: none"> <li>+ Window               <ul style="list-style-type: none"> <li>· Tempered safety glass,</li> <li>Laminated safety glass</li> </ul> </li> </ul>	<ul style="list-style-type: none"> <li>+ Movement               <ul style="list-style-type: none"> <li>· STS 304</li> </ul> </li> </ul>	
<ul style="list-style-type: none"> <li>+ Connection               <ul style="list-style-type: none"> <li>· STS 316</li> <li>· PF, PT, NPT ↔ 3/8, 1/2</li> </ul> </li> </ul>	<ul style="list-style-type: none"> <li>+ Type               <ul style="list-style-type: none"> <li>· A-Type (Rimless type) [Solid Front Type]</li> </ul> </li> </ul>	

# Solid Front Safety Pressure Gauge

Model No. SF-3020 Series

## Model No. SF-3021 (160mm) A-Type (Rimless type)



Dimensions (mm)

Model No.	Conn'n (d)	ØD	ØD1	b	n	t	L2	h
SF-3021	NPT & PT, PF 3/8	160	159	31,5	-	(68)	22	(112)
	NPT & PT, PF 1/2							

\*( )The measurement in the blanket is approximate.

Pressure Gauge

Differential Pressure Gauge & Switch

Accessories of Pressure Gauge

Thermometer & Thermometer Switch

Thermocouple & R.T.D

Thermowell

Transmitter

Indicator etc.

Technical data