

OLT Series

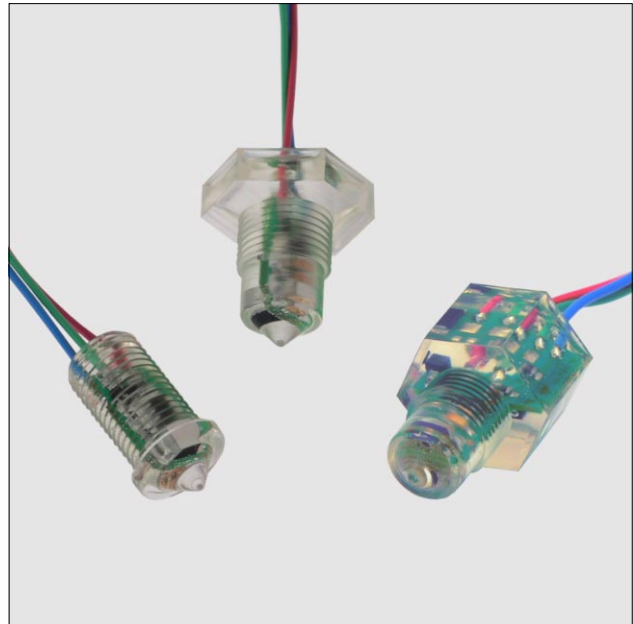
Trogamid optical liquid level switches

FEATURES

- Solid state technology, no moving parts
- Miniature size, easy to install
- TTL compatible or transistor output versions
- 10, 250 or 500 mA output current
- Trogamid housings
- High media compatibility
- Fast response, electrically robust

WETTED MATERIALS

Tip and housing: Trogamid

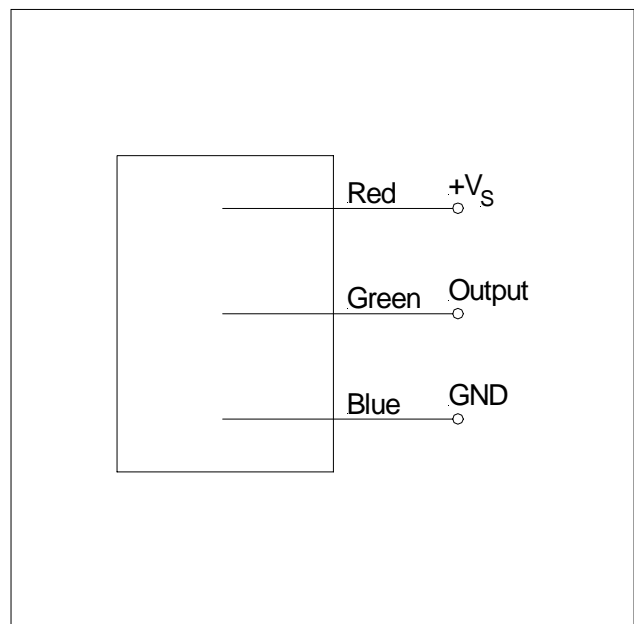


SPECIFICATIONS

Maximum ratings

Supply voltage	
OLT01...	5...12 V
OLT25X...	5...16 V
OLT25U...	10...28 V
OLT50...	10...40 V
Supply current	
OLT01..., OLT25...	15 mA
OLT50...	25 mA
Output current	
OLT01...*	10 mA
OLT25...	250 mA
OLT50...	500 mA
Operating temperature range	
OLT01..., OLT50...	-25...80°C
OLT25...	-40...125°C
Pressure range	
OLT...F	20 bar
all others	7 bar
Dielectric strength	4 kV
Protection class	IP 67

ELECTRICAL CONNECTION



* 10 mA sink current, source current depends on V_S and R_L

OLT Series

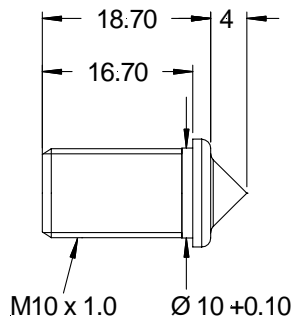
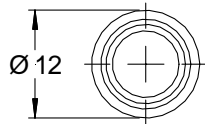
Trogamid optical liquid level switches

PERFORMANCE CHARACTERISTICS

Characteristics	Min.	Typ.	Max.	Unit
Repeatability			±1	mm
Hysteresis (depending on liquid)			1	
Response time rising liquid			50	µs
Response time falling liquid (ethanol)			1	s

OUTLINE DRAWING

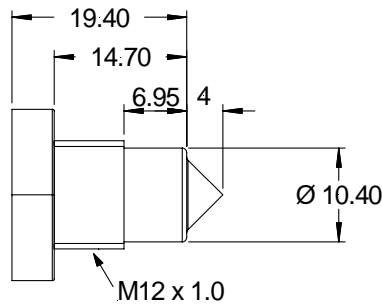
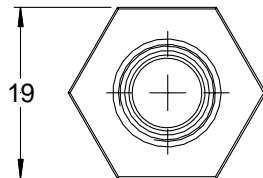
M10 thread
(Housing type OLT...F...)



mass: 5 g

dimensions in mm

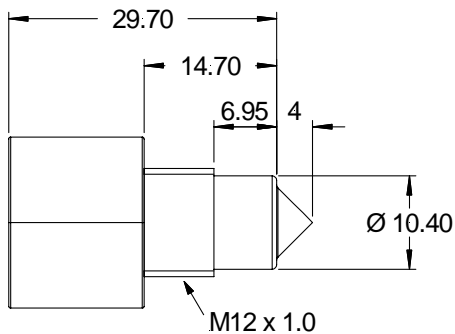
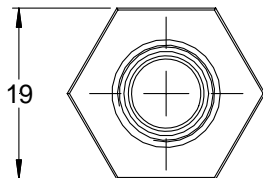
M12 thread short
(Housing type OLT...K...)



mass: 6 g

dimensions in mm

M12 thread long
(Housing type OLT...L...)



mass: 10 g

dimensions in mm

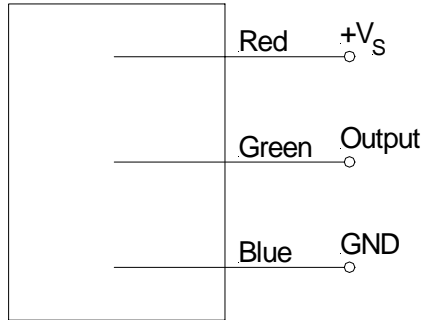
Note: All OLT... devices are supplied with lead wires. The wire lengths are 200 mm -0, +30 mm measured from the back of the housing. Wire diameters are 0.511 mm (AWG 24) for all OLT01... devices and 0.812 mm (AWG 20) for all OLT25/50... devices.

OLT Series

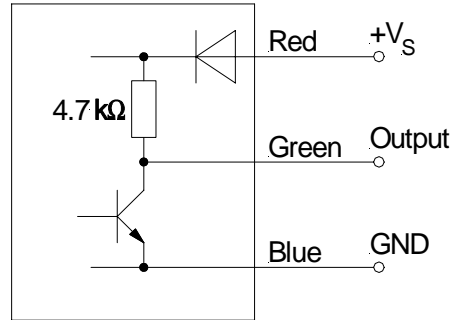
Trogamid optical liquid level switches

ELECTRICAL CONNECTION (cont.)

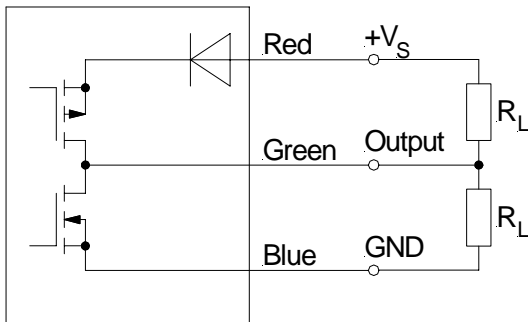
TTL compatible (high in air)*



TTL compatible (low in air)*



Push-Pull (current sinking and sourcing)*



*** Note:** When low, the sensor output gives approx. 0 V.
When high, the sensor output provides the supply voltage minus approx. 0.5 V.

OLT Series

Trogamid optical liquid level switches

ORDERING INFORMATION

TTL compatible output types

Options	Series	01T:	Output			Housing type	Termination
			Current	Type	Function		
	OLT		10 mA	TTL compatible	0: Low in air 1: High in air	F: M10 thread K: M12 thread short	3: 3 wire 4: 4 wire*
							* on request, MOQ may apply
Example:		OLT 01T			0	F	3

Transistor output types

Options	Series		Output			Housing type	Termination
			Current	Type	Function		
	OLT	25X:	250 mA	Push-Pull (V _s = 5...16 V)	0: Low in air	L: M12 thread long	3: 3 wire
		25U:	250 mA	Push-Pull (V _s = 10...28 V)	1: High in air		4: 4 wire*
		50U:	500 mA	Push-Pull			
							* on request, MOQ may apply
Example:		OLT 50U			0	L	3

Accessories (please order separately using the following order numbers)

Order No.	Description	Use with
F I X I N G N U T S		
ZA000910	M12 x 1, nickel plated brass	OLT...K..., OLT...L...
ZA000911	M12 x 1, stainless steel (303, clear passivated)	
ZA000912	M10 x 1, plastic	OLT...F...
W A S H E R S		
ZA000913	M12 x 1, VAMAC	OLT25...L... (high temperature devices)
ZA000914	M12 x 1, nitrile	OLT01...K..., OLT50...L... (standard temperature devices)
ZA000915	9.5 x 1, silicone O-ring, shore ~60	OLT01...F...

Sensortechinics reserves the right to make changes to any products herein. Sensortechinics does not assume any liability arising out of the application or use of any product or circuit described herein, neither does it convey any license under its patent rights nor the rights of others.