

## FCL502, FCL505 和 FCL510 余氯传感器

FCL502, FCL505 &amp; FCL510 传感器



FC72 流通池



Optional FM001 Flow Meter



### 安培法传感器技术

实时连续测量

测量范围: 0-2, 0-5或者 0-10ppm

内置温度补偿

大电解液容量

可更换膜和可填充电解液

FCL系列(游离氯传感器)配备了电流测量技术。设计用于水处理中,对游泳池等消毒应用中,这些传感器是在三个测量范围,用于检测游离氯的ppm级。选择FCL502为0-2ppm, FCL505为0-5PPM和FCL510游离氯0-10ppm。

### 典型应用:

- 工业废水处理
- 冷凝水
- 瓶子清洗
- 农业灌溉用水

余氯传感器输出4-20mA信号扩展到0-2, 0-5或0-10ppm。膜帽和填充溶液很容易更换,最大限度延长余氯传感器的寿命。

余氯传感器可以与SENSOREX流通池配套使用,或者替换其它4-20mA输出的游离氯传感器。(兼容性咨询SENSOREX)。可选的流量计(FM001)可帮助提供增加系统的稳定性,和稳定的流量。

### 规格书

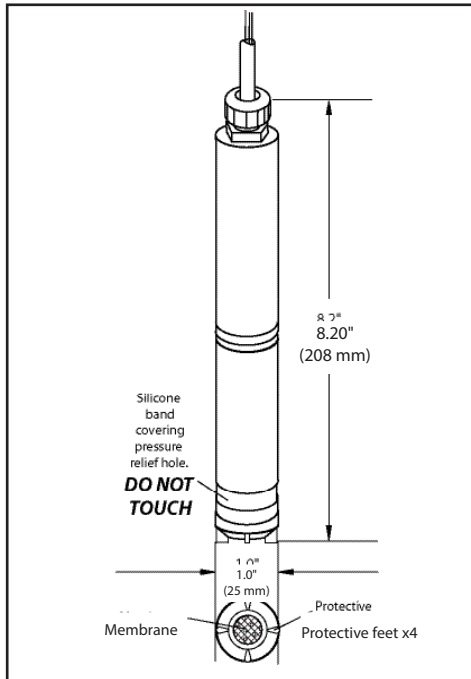
|       |   |
|-------|---|
| 测量范围  | 0-2, 0-5 or 0-10 ppm 余氯                     |
| pH 范围 | 5.5 - 8.5                                   |
| 体材料   | PVC   |
| 膜帽材料  | PVC housing, Proprietary Membrane           |
| 文档范围  | 0 - 45 摄氏度                                  |
| 最高压力  | 14.7 psig (1 Bar)                           |
| 温度补偿  | I内置d  |
| 电缆长度  | 10 feet 2 conductors, tinned leads          |
| 压力接口  | 流通池1/4 inch FNPT螺纹                          |
| 输出    | 4-20mA                                      |
| 流量范围  | 最小 0.2 gpm (45 l/hr), 最大 0.6 gpm (135 l/hr) |
| 供电电压  | 12-24V DC, 250mA 最小                         |
| 交叉干扰  | 二氧化氯, 臭氧, 溴, 碘                              |

### Parts covered by this product data sheet include:

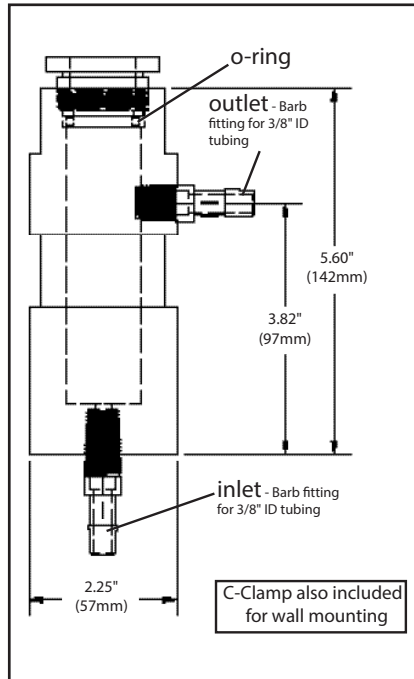
FCL502, FCL505, FCL510, FCLA-5015 thru FCLA-5018 FC72, FM001

## FCL502, FCL505 和 FCL510 余氯传感器

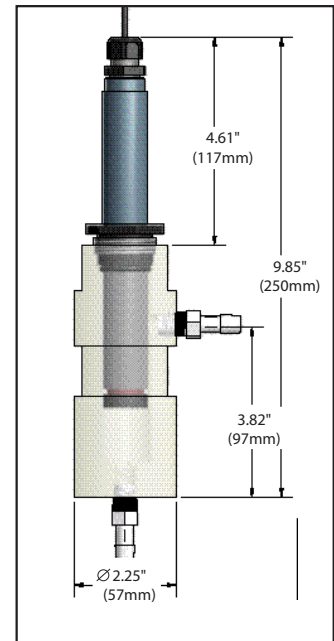
传感器尺寸



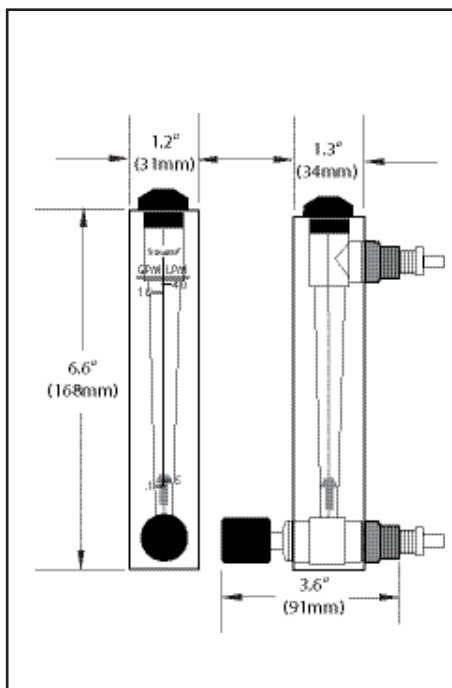
FC72 流通池尺寸



传感器和流通池安装尺寸



流量计 FM001 尺寸



### 订购信息 传感器

|        |   |
|--------|---|
| FCL502 | 0-2 ppm 余氯 4-20mA 传感器, 2 replacement cap & band, 2 each 30mL refill, 3 pieces cathode polishing squares.  |
| FCL505 | 0-5 ppm 余氯 4-20mA 传感器, 2 replacement cap & band, 2 each 30mL refill, 3 pieces cathode polishing squares.  |
| FCL510 | 0-10 ppm 余氯 4-20mA 传感器, 2 replacement cap & band, 2 each 30mL refill, 3 pieces cathode polishing squares. |

### 附件

|           |  |
|-----------|--|
| FC72      | 流通池, 1/4" FNPT inlet and outlet, includes 2 each 1/4" NPT barbed tube fittings for 3/8" ID tubing.   |
| FCLA-5015 | FCL 填充溶液 30mL, 2 each  |
| FCLA-5016 | FCL 5 系列替换膜帽, 1 each, pressure relief band 1 each  |
| FCLA-5017 | 3 each cathode polishing squares   |
| FCLA-5018 | 维护套件 for FCL5 series sensors includes: 1 replacement cap, 2 each 30mL refill, 3 each cathode polishing squares & 1 each pressure relief band |
| FM001     | 流量计, 0.1-1.0 gpm (0.5-4.0 Lpm) range, 1/4" FNPT & 1/2" MNPT threads plus (2x) 3/8" tube fittings   |