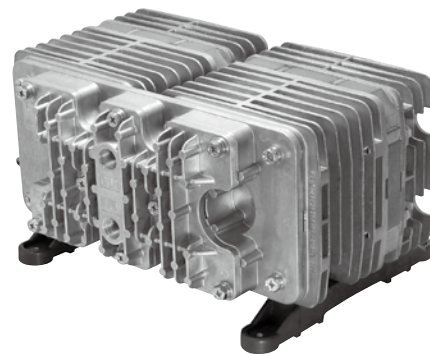


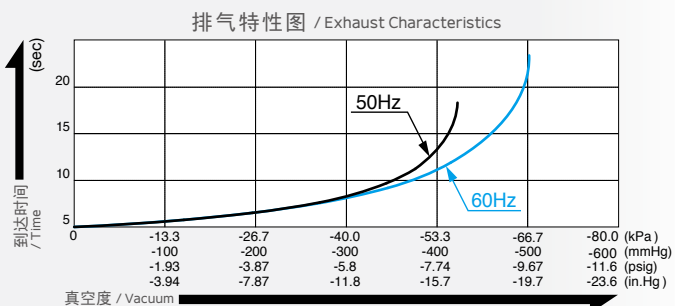
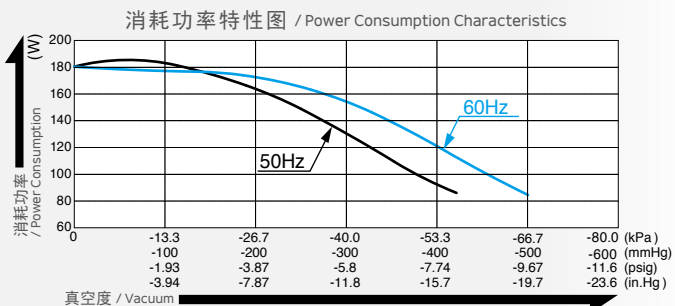
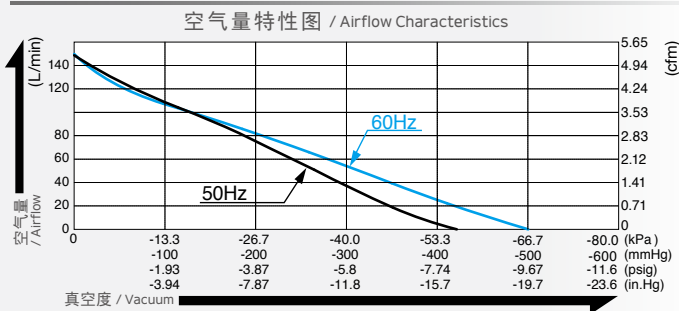
# 真空泵 / Vacuum Pump



## 型式 VP0940T

115V 定制 / is made to order

### 空气量和消耗功率 / Airflow & Electric Current



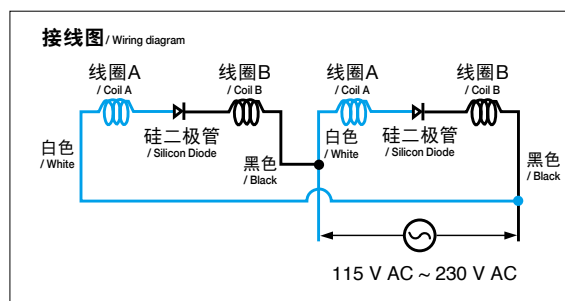
※ 特性图只是参考值，并不是保证值。  
/The characteristic charts are for reference only and are not guaranteed.

### 规格 / Specifications

达到真空度 *1 / Attainable Vacuum	-53.3 kPa (-400 mmHg) -533 mbar -15.7 in. Hg		
吐出空气量 / Free Air Displacement	120 L/min 4.24 cfm		
额定电压 / Rated Voltage	100 V AC	115 V AC *2	230 V AC
消耗功率 / Power Consumption	185 W		
额定频率 / Rated Frequency	50 Hz / 60 Hz	60 Hz	50 Hz
耐用时间 / Rated Performance	10,000 小时 / hours		
吸入口尺寸 / Inlet	ISO Rc 3/8 (内螺纹 / internal thread)		
吐出口尺寸 / Outlet	ISO Rc 3/8 (内螺纹 / internal thread)		
额定时间 / Duty Cycle	连续 / Continuous		
线圈绝缘等级 / Coil Insulation Class	相当于 B 类 / B or its equivalent		
安装尺寸 / Mounting Dimensions	172 (L) x 211 (W) mm 6-49/64" (L) x 8-5/16" (W)		
本体重量 / Weight	10 kg 22 Lbs		
导线长度 / Leadwire Length	300 mm 11-13/16"	300 mm 11-13/16"	320 mm 12-19/32"

※1: 高于 -53.3kPa 运转时需要在进气管路上加装一个放气阀或泄压阀。 ※2: 即将申请 UL 认证  
/ Operations at higher than -53.5kPa need an additional leak valve or relief valve on the inlet piping. / UL Pending

### 用途例 / Application Examples



\* 消音器，空气过滤器和管道不包含在产品中。  
\* 管道和接线需要由用户完成。  
\* The silencer, air filter, and pipe are not included with the product.  
\* Piping and wiring need to be done by the user.

### 外形及安装尺寸图 / Dimensional Outline Drawing (单位 / Unit : mm)

