

Chart recorder

Model: P930 series

广州绿图控仪器仪表公司
电话：13650779822

Spec. sheet no. PD09-03

Service intended

P930 series pressure recorder provides a single or dual pen 200 mm circular chart recorder for measurement. It is suitable for hazardous environment such as gas or chemical process lines.

P930系列压力记录仪可选择单笔或双笔。
为200mm圆图有纸记录仪。
P930适用于危险环境，如气体或化工生产线等。

EAC

Nominal diameter 外形尺寸

246 (W) X 271 mm (H)

Accuracy 精度

±2.0 % of full scale

Scale range (MPa, kPa, bar) 记录范围

Pressure : 0 ~ 5 kPa to 0 ~ 100 MPa

Working pressure 工作压力

Steady pressure : 75 % of full scale

Over range protection : 130 % of full scale

稳定压力：满量程的75%

超范围保护：满量程的130%

Working temperature

Ambient : -40 ~ 65 °C

Fluid : Max. 200 °C

工作温度

环境温度：-40~65摄氏度

流体：最高200摄氏度



Standard features

如有不明白，请联系绿图控公司13650779822

Pressure connection

Stainless steel (316SS)

Element

Bourdon tube : Stainless steel (316SS)

Bellows : Brass

Case and cover

ALDC 12.1

Hinged door

Window

Acrylic resin

Movement

Brass

Chart drive

1. Spring wound type : 24, 168 (7 day) hours rotation
2. Battery type : 30 min, 96 min, 1, 2, 4, 6, 8, 12 hours and 1, 2, 7, 8, 14, 16, 31, 32 days selectable for portable type

Chart paper

200 mm circular

Mounting

Surface mounting and portable type

Process connection

3/8", 1/2" PT, NPT and PF

WISE[®]

如有不明白，请联系绿图控公司13650779822

1. Base model

- P931** Chart recorder (Surface mounting, one pen type)
P932 Chart recorder (Surface mounting, two pen type)
P933 Chart recorder (Portable, one pen type)
P934 Chart recorder (Portable, two pen type)

2. Sensor type

- 8** Temperature and pressure
9 Pressure

3. Type of mounting

- B** Bottom entry and surface mounting plate

4. Accuracy

- 5** ±2.0 % of full scale

5. Process connection

- D** 3/8"
E 1/2"

6. Connection type

- B** PF
C PT
D NPT

7. Unit

- H** bar
I MPa
J kPa
Z Other

8. Range

- XXX** Refer to pressure range table

9. Pressure connection material

- 3** 316SS

10. Option

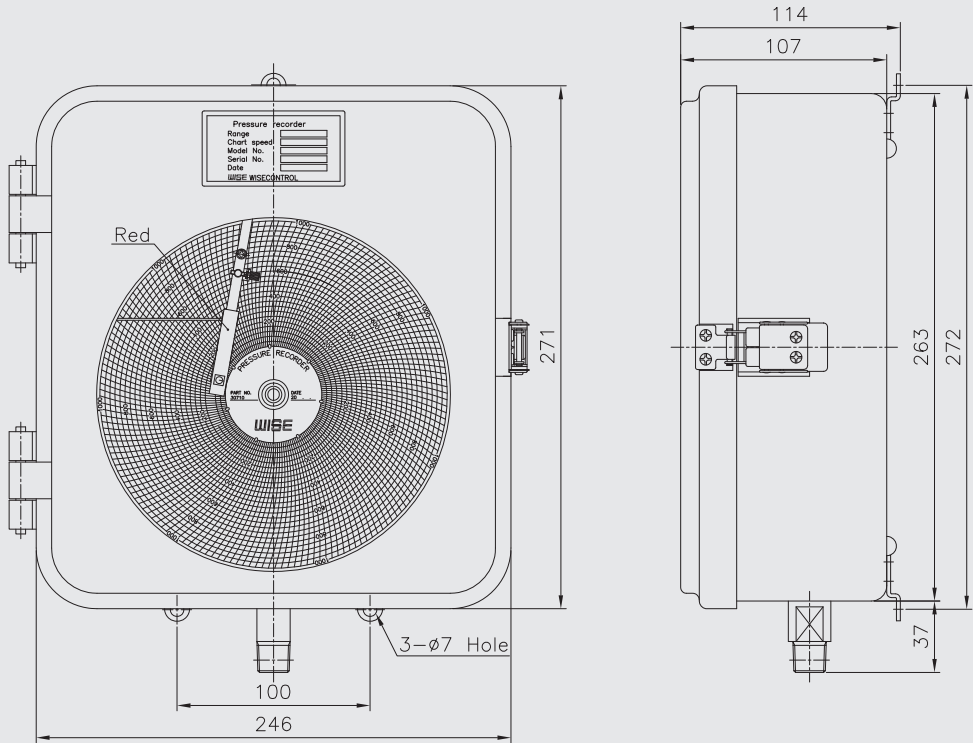
- 0** None
1 Accessories
2 Temperature sensor

1	2	3	4	5	6	7	8	9	10
P931	8	B	5	D	B	H	XXX	3	0

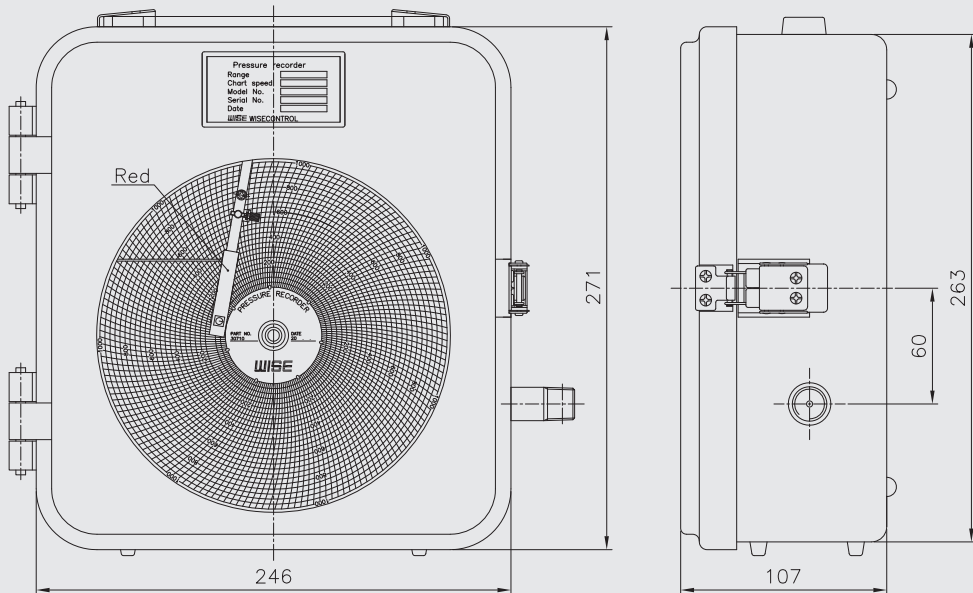
Sample
ordering code

P93X : Type of mounting (1/3)

Code P931

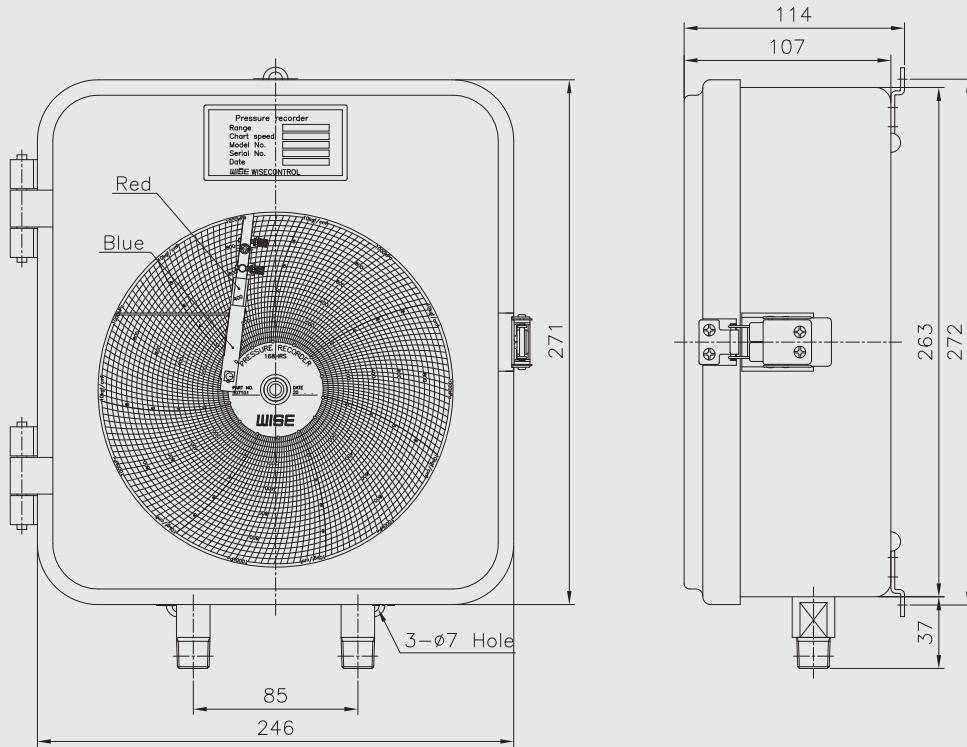


Code 933 (Portable type)

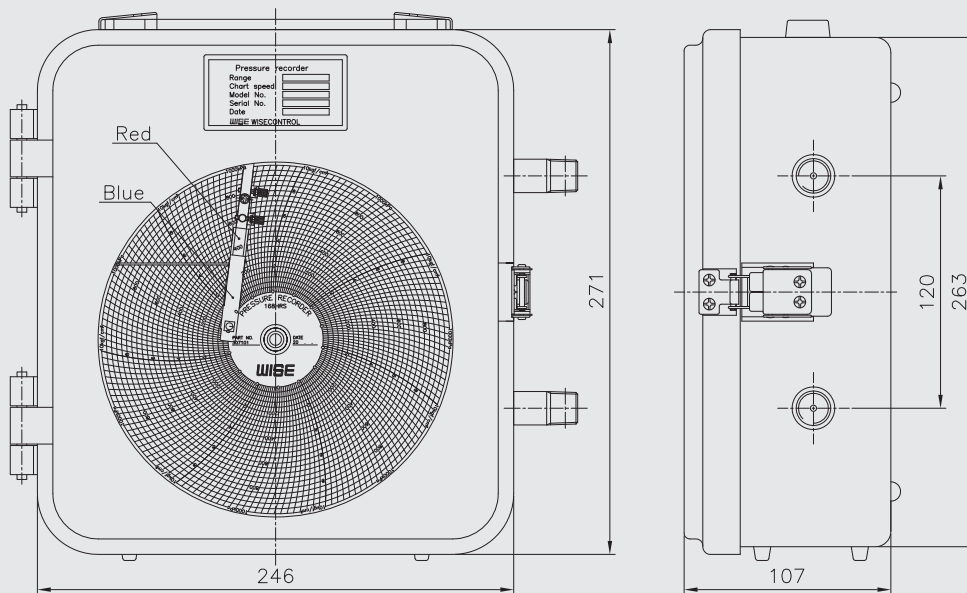


P93X : Type of mounting (2/3)

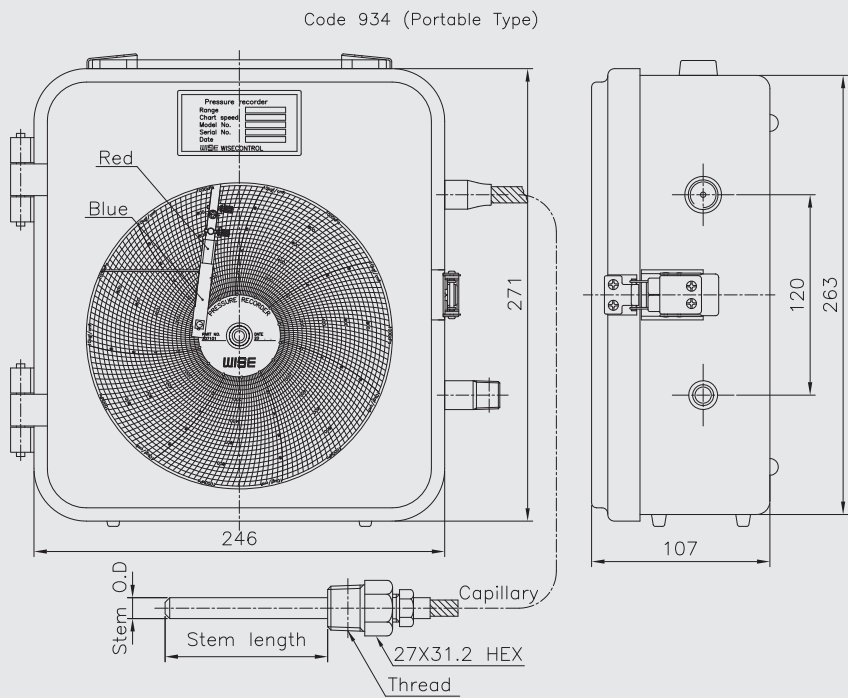
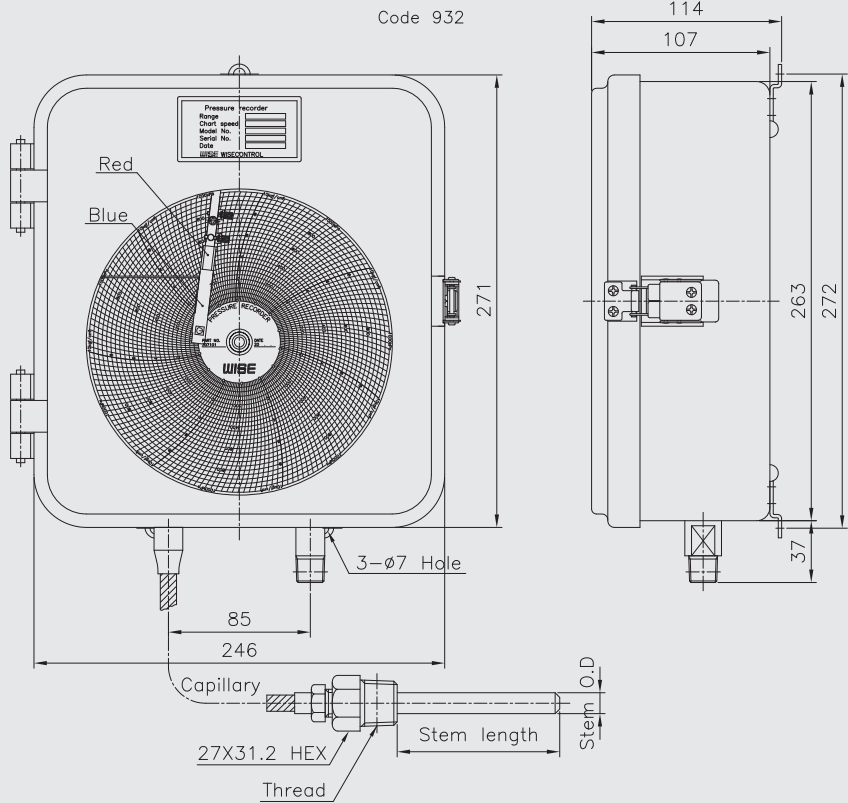
Code 932



Code 934 (Portable type)



P93X : Type of mounting (3/3)



Pressure range table

Scale	P931	P932	P933	P934	Order code
0 ~ 5 kPa	X	Refer to under table	O	Refer to under table	465
0 ~ 10 kPa	X		O		469
0 ~ 50 kPa	O		O		040
0 ~ 0.1 MPa	O		O		041
0 ~ 0.2 MPa	O		O		042
0 ~ 0.5 MPa	O		O		136
0 ~ 1 MPa	O		O		047
0 ~ 1.5 MPa	O		O		050
0 ~ 2 MPa	O		O		051
0 ~ 2.5 MPa	O		O		052
0 ~ 3.5 MPa	O		O		054
0 ~ 5 MPa	O		O		055
0 ~ 7 MPa	O		O		057
0 ~ 10 MPa	O		O		058
0 ~ 15 MPa	O		O		059
0 ~ 16 MPa	O		O		060
0 ~ 25 MPa	O		O		062
0 ~ 35 MPa	O		O		064
0 ~ 40 MPa	O		O		065
0 ~ 50 MPa	O		O		066
0 ~ 60 MPa	O	O	067		
0 ~ 70 MPa	O	O	068		
0 ~ 100 MPa	O	O	070		
0 ~ 160 MPa	O	O	074		
0 ~ 200 MPa	O	O	075		

O : Available X : Not available

Scale (2 pen) type - P932, P934		Code
Higher	Lower	
0 ~ 0.1 MPa	0 ~ 10 kPa	201
0 ~ 1 MPa	0 ~ 5 kPa	202
0 ~ 1 MPa	0 ~ 10 kPa	203
0 ~ 1 MPa	0 ~ 0.1 MPa	204
0 ~ 1.5 MPa	0 ~ 5 kPa	205
0 ~ 1.5 MPa	0 ~ 10 kPa	206
0 ~ 1.5 MPa	0 ~ 0.1 MPa	207

Pressure range table

Ordering chart paper

Range	Order code	Range		Order code
0 ~ 5kPa	3071010380	0 ~ 25 MPa		3071011780
0 ~ 10 kPa	3071010390	0 ~ 35 MPa		3071012370
0 ~ 50 kPa	3071011740	0 ~ 40 MPa		3071012820
0 ~ 0.1 MPa	3071010020	0 ~ 50 MPa		3071011850
0 ~ 0.2 MPa	3071012260	0 ~ 60 MPa		3071013250
0 ~ 0.5 MPa	3071012060	0 ~ 70 MPa		3071011470
0 ~ 1 MPa	3071012080	0 ~ 100 MPa		3071011270
0 ~ 1.5 MPa	3071011480	0 ~ 160 MPa		3071013090
0 ~ 2 MPa	3071011770	0 ~ 200 MPa		3071013100
0 ~ 2.5 MPa	3071012090	0 ~ 0.1 MPa	0 ~ 10 kPa	3071010540
0 ~ 3.5 MPa	3071011690	0 ~ 1 MPa	0 ~ 5 kPa	3071010550
0 ~ 5 MPa	3071012100	0 ~ 1 MPa	0 ~ 10 kPa	3071010560
0 ~ 7 MPa	3071012110	0 ~ 1 MPa	0 ~ 0.1 MPa	3071010570
0 ~ 10 MPa	3071012120	0 ~ 1.5 MPa	0 ~ 5 kPa	3071010580
0 ~ 15 MPa	3071012130	0 ~ 1.5 MPa	0 ~ 10 kPa	3071010590
0 ~ 16 MPa	3071012360	0 ~ 1.5 MPa	0 ~ 0.1 MPa	3071010600

Ordering pen

Pen description	Order code	Pen description	Order code
Red color (short pen)	3069040070	Blue color (Long pen)	3069040090

Ordering clock

Clock description	Order code	Clock description	Order code
168 (7 days) hours (P931, P932)	3102040020	Portable (Battery) type (P933.P934)	3102040030

记录纸记录笔供应商：广州绿图控仪器仪表有限公司
13650779822

Memo

如有不明白，请联系绿图控公司13650779822