

供应商：广州市绿图控仪器仪表有限公司
13650779822

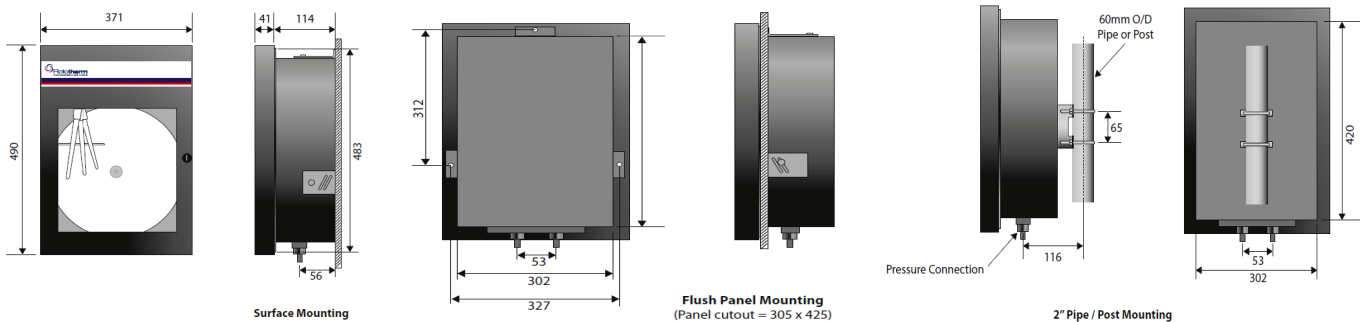
型号：压力与温度

Clearscan 12“ 机械记录仪（单笔或双笔）是一种适用于恶劣条件，并低维护记录仪。
记录仪设计灵活，具有可互换的压力和温度系统，可简单安装，快速地校准，最大限度地提高工作效率。

参数：

操作：全机械-无需电力
外壳：钢制外壳，环氧粉末涂层，黑色，亚克力窗户
（可选适用于海上的不锈钢外壳）
记录纸：12英寸（300毫米）圆形图表-0至100格标准
记录纸驱动：标准机械单速24小时。（其他选项）
安装：墙壁、管道、面板或便携式
记录笔：一次性纤维笔
标准压力：316不锈钢，带1/4“ NPT或1/2” NPT外/内螺纹
标准温度：3米不锈钢软管
带ANSI 11/16“ 不锈钢探头，1/4”*10” 接长件和1/2“ NPTM
精度：1级（±1%FSD）
环境温度：-200C至+500C
重量：10-15千克
尺寸：门370 x 490 mm/面板切口305 x 425 mm
互换性：温度和压力系统
校准：UKAS可追踪实验室的证书（根据要求提供）
附加：高压（压力超过1000bar）/链条和锁扣，以防止丢失。

13650779822

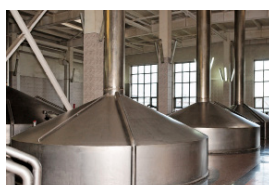


主要应用

作为世界领先的温度记录仪，Rototherm已成为精确可靠测量的标准，跨以下行业：



自来水厂压力记录



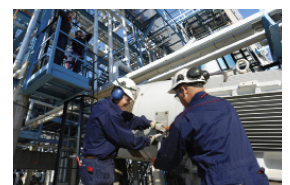
饮料厂压力+温度记录



陆上/海上



井口压力记录



系统和管道工程
加热和冷却

订购信息：

Clearscan Recorder	STANDARD →	*any model	W	M1
Model	1 pen Temperature	CT1		
	2 pen Temperature	CT2		
	1 pen Pressure	CP1		
	2 pen Pressure	CP2		
	1 pen Temperature & 1 pen Pressure	CPT		
Mounting	Wall / Panel with Bottom Connection		W	
	Portable / Rear connection		S	
	2" Pipe or Post / Bottom Connection		P	
	Panel / Rear Connection		R	
Chart Drive	24 h. Mechanical Single Rotation			M1
	2 h. Mechanical Single Rotation			M2
	7 day Mechanical Single Rotation			M3
	24 h. & 7 day Mechanical Dual Rotation			D4
	24 h. Multispeed Battery			Q5

Please continue here for pressure system coding options...

(Temperature system on next page)

Ordering Information

Pressure System	STANDARD →	Choose a Bar or PSI range	C1
Pressure Range <i>(For non-standard ranges, please contact us)</i>	0 to 4 bar	0 to 60 psi	B00004 P00060
	0 to 6 bar	0 to 100 psi	B00006 P00100
	0 to 10 bar	0 to 150 psi	B00010 P00150
	0 to 15 bar	0 to 200 psi	B00015 P00200
	0 to 16 bar	0 to 250 psi	B00016 P00250
	0 to 20 bar	0 to 300 psi	B00020 P00300
	0 to 25 bar	0 to 400 psi	B00025 P00400
	0 to 35 bar	0 to 500 psi	B00035 P00500
	0 to 40 bar	0 to 600 psi	B00040 P00600
	0 to 50 bar	0 to 750 psi	B00050 P00750
	0 to 60 bar	0 to 800 psi	B00060 P00800
	0 to 70 bar	0 to 1000 psi	B00070 P01000
	0 to 100 bar	0 to 1500 psi	B00100 P01500
	0 to 150 bar	0 to 2000 psi	B00150 P02000
	0 to 160 bar	0 to 2500 psi	B00160 P02500
	0 to 200 bar	0 to 3000 psi	B00200 P03000
	0 to 250 bar	0 to 4000 psi	B00250 P04000
	0 to 350 bar	0 to 5000 psi	B00350 P05000
	0 to 400 bar	0 to 6000 psi	B00400 P06000
	0 to 550 bar	0 to 7500 psi	B00550 P07500
	0 to 600 bar	0 to 8000 psi	B00600 P08000
	0 to 700 bar	0 to 10000 psi	B00700 P10000
	0 to 800 bar	0 to 15000 psi	B00800 P15000
	0 to 1000 bar	0 to 20000 psi	B01000 P20000
	0 to 1500 bar	0 to 25000 psi	B01500 P25000
	0 to 2000 bar	0 to 30000 psi	B02000 P30000
Process Connection	1/4" NPT Female		C1
	1/2" NPT Male		C2
	1/4" HP 9/16" UNF-18 Female		C3
	3/8" BSP Male		C4
	3/8" BSPT Male		C5

Please repeat same ordering system for Pen 2 (if required)

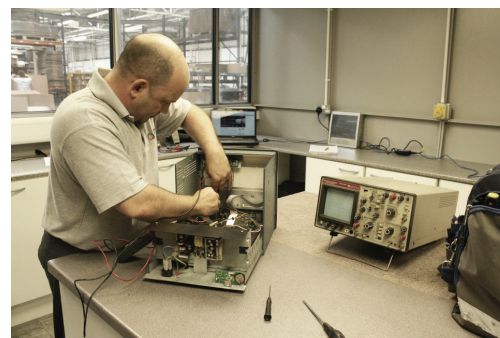
Ordering Information

Temperature System	STANDARD →	T060	1	X	03
Standard Ranges	0 to 100 deg C	T100			
	0 to 60 deg C				
	0 to 150 deg C	T060			
	0 to 200 deg C	T150			
	(For non-standard ranges, please contact us)	T200			
Bulb Type	301 Plain Bulb 12.7mm diameter		1		
	303 Extended Bulb c/w gland 12.7mm diameter		3		
	ANSI Ø11/16"bulb c/w 1/2" NPT gland		4		
Process Connection	No gland			X	
	1/2" NPT Male			N	
	1/2" BSP Male			B	
	1/2" BSPT Male			R	
Capillary Length	3 m.				03
	10 m.				10

Please repeat same ordering system for Pen 2 (if required)

技术认证
 合格证书
 工厂测试证书
 工厂校准证书 (3点)
 工厂校准证书 (5点)
 材料证书

出口文件：
 原产地证书
 自动条码读取器



For more information, please contact our service team

LTK INSTRUMENT CO.LTD
 E-mail: chart@chartg.com
 Tel: 86-13650779822