

Summation current transformer, class 1 for cable type split core current transformers

No-compromise, individual measurement

- High measurement accuracy
- User friendly spring-clamp technology
- Designed for use with the series KUW split core CTs



Technical data

Summation current transformer, class 1							
Type	Primary current in A	Secondary current in A	Power in VA	Transformer ratio	Dimensions in mm (W x H x D)	Weight (kg)	Item no.
STS20	1+1	1	0.2	1:1	30 x 80 x 60	0.2	15.02.560
STS30	1+1+1	1	0.2	1:1:1	30 x 80 x 60	0.2	15.02.561
STS40	1+1+1+1	1	0.2	1:1:1:1	55 x 80 x 60	0.4	15.02.562
STS50	1+1+1+1+1	1	0.2	1:1:1:1:1	55 x 80 x 60	0.4	15.02.563
STS60	1+1+1+1+1+1	1	0.2	1:1:1:1:1:1	55 x 80 x 60	0.4	15.02.564
STS21	1+1	1	0.2	Customer-specific	30 x 80 x 60	0.2	15.02.570
STS31	1+1+1	1	0.2	Customer-specific	30 x 80 x 60	0.2	15.02.571
STS41	1+1+1+1	1	0.2	Customer-specific	55 x 80 x 60	0.4	15.02.572
STS51	1+1+1+1+1	1	0.2	Customer-specific	55 x 80 x 60	0.4	15.02.573
STS61	1+1+1+1+1+1	1	0.2	Customer-specific	55 x 80 x 60	0.4	15.02.574

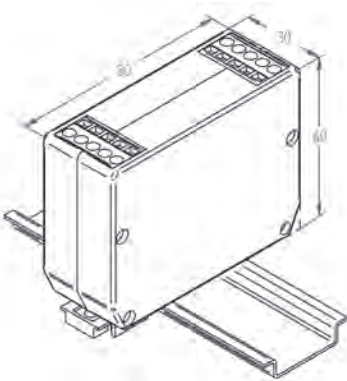
With dissimilar main CTs, the ratio of the largest to the smallest primary current should not be larger than 10/1.



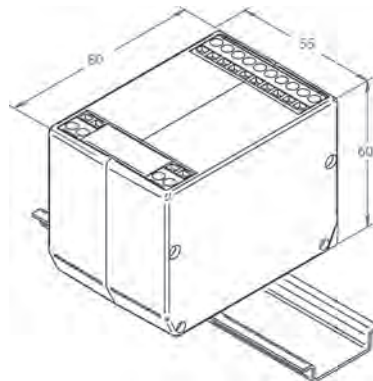
Dimension diagrams

All dimensions in mm

STS20 / STS30 / STS21 / STS31



STS40 / STS50 / STS60 / STS41 / STS51 / STS61



Basic Information for the use of current transformer can be found in chapter 10.