



1 产品用途 Product Using

JX系列静态信号继电器(以下简称产品)用于直流操作的保护和自动控制装置中,作为动作的信号指示之用。该产品由分立元件和小型继电器构成。本产品动作速度快,克服了国内电力系统跳合闸回路由于采用快速动作的真空开关后,使原电磁型信号继电器反应不了动作指示信号的缺陷;具有手动复归和电动复归功能,可以很好的满足无人值班室的要求;带有多组合接点,能满足信号指示及远传要求;防震性强并可任意安装,具有宽电流动作范围的规格等优点。产品JX-10,JX-20,JX-30可更新替代DX-11/11A,DX-8/8G,DXM-2A,DX-30等产品。

JX series static-signal relay (for short: the product) are applying for protection and automatic controlling equipment operated by DC as signal indicator of operation. The product has quick operating speed, and resolves the defect of the original electromagnetic type signal relay cannot show operating indicating signals because domestic power system tripping and closing loop adopts fast operating vacuum switches; it has functions of hand resetting and electronic resetting, and can meet the requirement of unmanned duty room; it has multi-connection contacts, can meet the requirements of signal indication and remote transmission; it has good shockproof ability and can be installed at will, and has the advantages such as specification of wide-range current operating. JX-10, JX-20, JX-30 can substitute products such as DX-11/11A, DX-8/8G, DXM-2A, and DX-30.

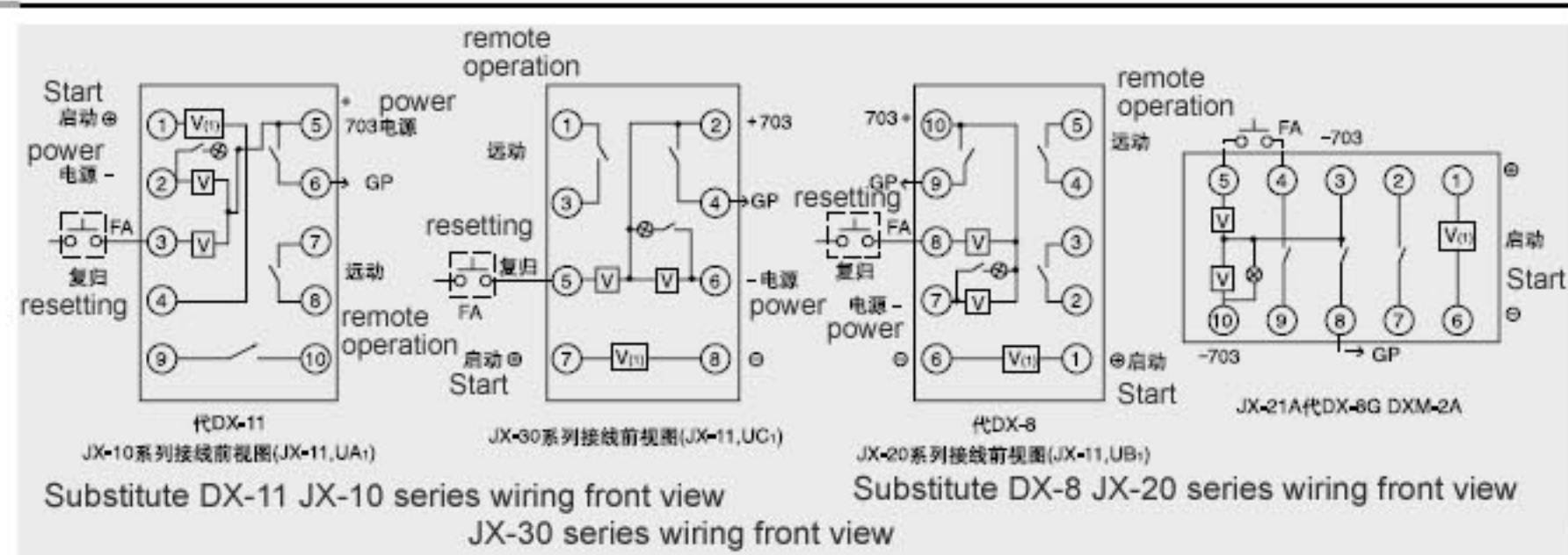
2 产品型号及含义 Product Types and Meanings



3 主要技术参数 Main Technological Parameter

- 启动值: 电压型 DC 220V、110V、48V; 电流型 DC 0.01~2A。
 - 辅助电源: 直流 DC 220V、110V、48V。
 - 复归电源: 直流 DC 220V、110V、48V。
 - 动作值: 电压型 动作电压不大于 70% 额定电压; 电流型 动作电流不大于 90% 额定电流。
 - 动作时间: 在额定工作状态下, 不大于 10ms。
 - 功率消耗: 不大于 3W。
 - 触点性能: 在电压不超过 250V, 电流不超过 5A, 时间常数为 $5 \pm 0.75\text{ms}$ 的直流有感负荷电路中, 产品输出触点的断开容量为 50W。输出触点在上述规定的负荷条件下, 产品能可靠动作及返回 5×10^4 次, 输出触点长期允许接通电流为 5A。
 - 介质强度: 产品各导电端子连在一起, 对外露的非带电金属部分或外壳之间, 能承受 2000V(有效值)50Hz 的交流电压历时 1 分钟试验而无绝缘击穿或闪络现象。
- Starting value: voltage type DC 220V, 110V, 48V; current type DC 0.01~2A
·Auxiliary power: DC 220V, 110V, 48V
·Resetting power: DC 220V, 110V, 48V
·Operating value: voltage type: operating voltage $\leq 70\%$ rated voltage; current type: operating current $\leq 90\%$ rated current
·Operating time: under rated voltage condition, $\leq 10\text{ms}$
·Power consumption: $\leq 3\text{W}$
·Contact capacity: When DC inductive load circuit in which voltage $\leq 250\text{V}$, current $\leq 5\text{A}$, time constant $= 5 \pm 0.75\text{ms}$, the breaking capacity of product output contact is 50W. When the output contact is under the above-specified load condition, the product can operate and return 5×10^4 times reliably. The long-term permit making current of output contact is 5A.
·Dielectric strength: The conductive terminals of the products are connected together, and the uncharged metal or shell exposed outside can bear 2000V (valid value) 50Hz AC voltage experiment, which lasts 1 minute without insulation breakdown or flashover phenomenon.

4 接线图 Wiring drawing



5 外形安装尺寸 Outline and mounting dimensions

