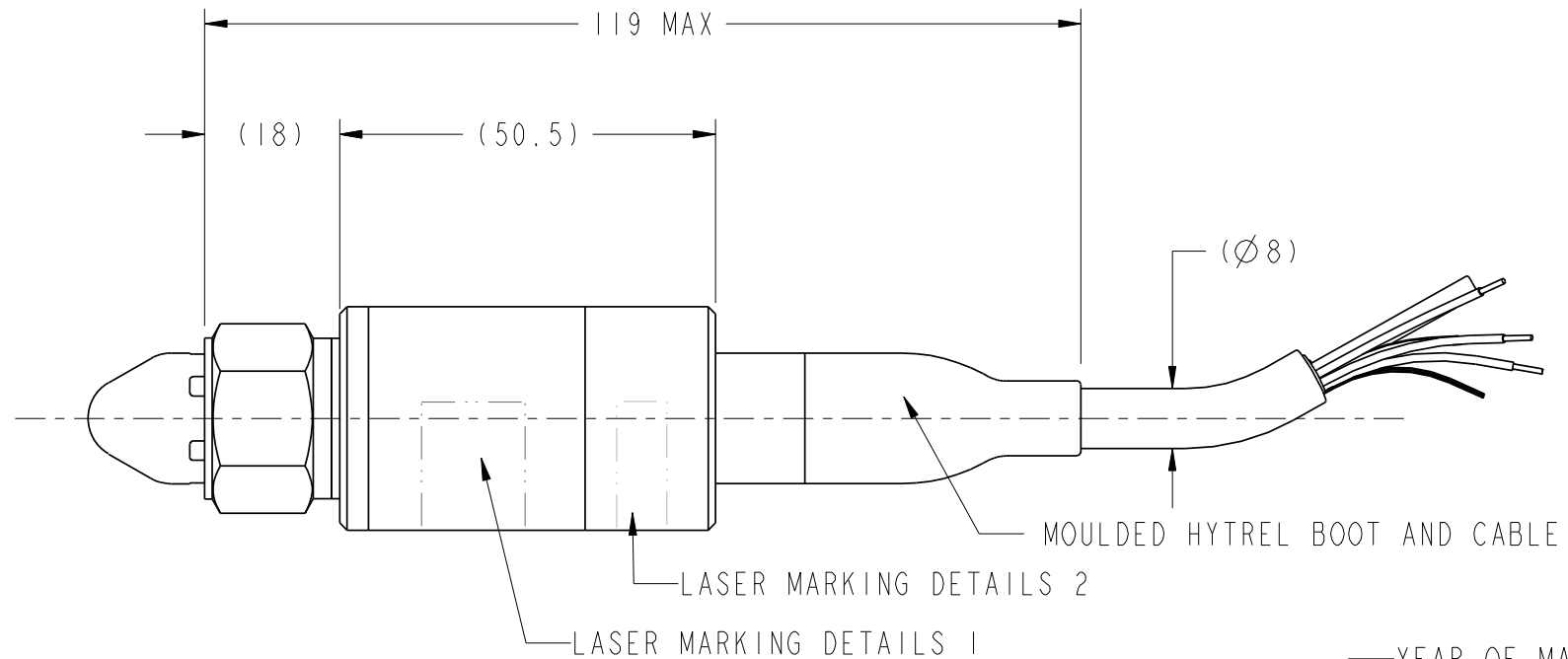
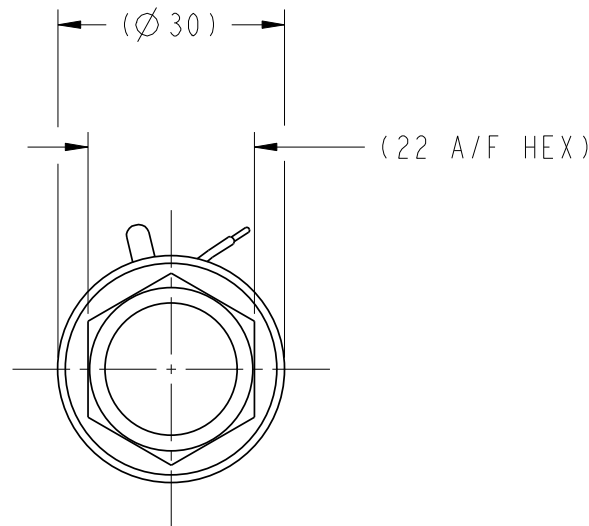


E-A3-4662
SHT 1 OF 1

CUSTOMER SPECIFICATION
DO NOT AMEND WITHOUT AUTHORISATION

CERTIFICATE RELATED DRAWING
NOT TO BE MODIFIED WITHOUT
THE APPROVAL OF THE CERTIFICATION ENGINEER
APPROVED: SHAUN HAMILTON
CERTIFICATES: Baseefa 02ATEX0235X



SPECIFICATION PTX1030-4662

PRESSURE RANGES: ANY ZERO BASED FS PRESSURE RANGE FROM 70mbar TO 70bar GAUGE
ANY ZERO BASED FS PRESSURE RANGE FROM 350mbar TO 70bar ABSOLUTE
OTHER PRESSURE UNITS AVAILABLE ON REQUEST

OVERPRESSURE: 4 X F.S FOR RANGES UPTO 350mbar
3 X FS FOR ALL OTHER RANGES

CONTAINMENT PRESSURE: 6 X FS FOR RANGES UPTO 350mbar
4 X FS FOR ALL OTHER RANGES

MEDIA COMPATIBILITY: FLUIDS COMPATIBLE WITH STAINLESS STEEL 316L, HASTELLOY C-276, DELRIN AND HYTREL
FLUID CLASSIFICATION IN ACCORDANCE WITH EC DIRECTIVE 67/548/EEC
STATEMENTS IN ACCORDANCE WITH THE PRESSURE EQUIPMENT DIRECTIVE 97/23/EC

OUTPUT: 4 TO 20 mA
POWER SUPPLY: 9 TO 28 Vdc

ZERO SETTING: ±0.1 mA
SPAN SETTING: ±0.1 mA

STATIC ACCURACY (NLHR): ±0.25% FS BSL
LONG TERM STABILITY: ±0.2% FS/ANNUM AT REFERENCE CONDITIONS

OPERATING TEMPERATURE RANGE: -25°C TO +85°C
TEMPERATURE EFFECTS: ±1.5% FS TEB FROM -10°C TO +50°C (INCREASES PRO-RATA BELOW 350mbar)
±3% FS TEB FROM -20°C TO +80°C (INCREASES PRO-RATA BELOW 350mbar)

ELECTRICAL CONNECTION: DRUCK 6 CORE HYTREL CABLE IP68 LENGTH TO BE SPECIFIED ON ORDER UPTO 200 METRES

PRESSURE CONNECTION: DEPTH CONE SHOWN. G1/4 FEMALE, 1/4 NPT FEMALE AND M20 x 1.5 MALE AVAILABLE ON REQUEST
OTHER PRESSURE CONNECTIONS AVAILABLE ON REQUEST

SIDE 1: DRUCK, Leicester, UK
PTX Ex-0129
EEx ia IIC T4 (-40°C ≤ Ta ≤ 80°C)

SIDE 2: Baseefa02ATEX0235X
CE 1180 20** Ex II 1 G

YEAR OF MANUFACTURE

MARKING DETAILS 2

PTX1030-4662
BATCH *****/**
** *bar *
9-28Vdc 4-20mA

INSULATION: >10 MΩ AT 100 Vdc,
ISOLATION: 600 Vac, LEAKAGE ≤ 5 mA FOR 1 MINUTE

SUPPLY VOLTAGE REVERSAL: UNITS WILL WITHSTAND SUPPLY VOLTAGE
POLARITY REVERSAL WITHOUT DAMAGE

UNITS TO BE SUPPLIED WITH HAZARDOUS AREA INSTRUCTIONS K339
AND CONFORMITY DOCUMENT CD0002

ELECTRICAL CONNECTIONS:

RED +VE
BLUE -VE
SCREEN/DRAIN AND OTHER CORES
NOT CONNECTED

IN ACCORDANCE WITH BS8888:2004 AND DC0058

X1030-***-4662		DESCRIPTION, MATERIAL, REMARKS ETC.	
PART NO.			
VERSION	01		TOLERANCES UNLESS U.O.S ALL DIMENSIONS IN mm U.O.S X ±1.0 X.X ±0.5 X.XX ±0.2 ANGLES ±5.0° HOLES TO BS4500 Pt1 H12 U.O.S
ISSUE	A		
DATE	09-May-08	DRUCK LTD. LEICESTER, LE6 0FH, UK. TEL: +44 (0)116 2317100 © 2008	
DRAWN	A.Marston		
CHKD	T.Pratt	TITLE: PTX1030-4662 GENERIC MARINE SENSOR SPECIFICATION	
APPD	R.Craddock		
MRKTG	S.Sajben	DRG. No E-A3-4662	SHT 1 OF 1

Pro/ENGINEER DRAWING